

Renovations to:

Glenbrook Community Center

35 Crescent Street
Stamford, Connecticut. 06906

May 25, 2004

ABBREVIATIONS

A.B.	ANCHOR BOLT	LG.	LONG
A.C.P.	ASBESTOS CEMENT PIPE	LOC.	LOCATION
ADJ.	ADJUSTABLE	L.P.	LOW POINT
A.F.F.	ABOVE FINISH FLOOR	L.P.	LIGHTING
AC.T.	ACOUSTICAL CEILING TILE		
ALUM.	ALUMINUM	M.	MINUTE
APPROX.	APPROXIMATE	MAS.	MASONRY
ARCH.	ARCHITECTURAL	MAX.	MAXIMUM
ASPH.	ASPHALT	MECH.	MECHANICAL
AVG.	AVERAGE	M.H.	MANHOLE
		MIN.	MINIMUM
BSMT.	BASEMENT	MISC.	MISCELLANEOUS
BD.	BOARD	M.O.	MASONRY OPENING
BRG.	BEARING	MTD.	MOUNTED
BRK.	BRICK		
BIT.	BITUMINOUS	N.A.	NOT APPLICABLE
BLK.	BLOCK	N.I.C.	NOT IN CONTRACT
BLDG.	BUILDING	NO.	NUMBER
B.S.	BOTH SIDES	NOM.	NOMINAL
		N.S.	NEAR SIDE
C.I.	CAST IRON	N.T.S.	NOT TO SCALE
C.I.P.	CAST IN PLACE CONCRETE		
C.B.	CATCH BASIN	O.C.	ON CENTER
C.B.R.	CATCH BASIN TO BE REMOVED	O.C.C.	OCCUPANT
CLG.	CEILING	O.D.	OUTSIDE DIAMETER
G.	CENTER LINE	OPNG.	OPENING
C. BD.	CHALK BOARD		
C.C.	CURB CUT	P.C.B.	PAINTED CONCRETE BLOCK
C.O.	CLEAN OUT	P.C.B.	PAINTED GYPSUM BOARD
COL.	COLUMN	PL.	PLATE
CONC.	CONCRETE	PLUMB.	PLUMBING
CONF.	CONFERENCE	PLYWD.	PLYWOOD
C.M.U.	CONCRETE MASONRY UNIT	PREP.	PREPARATION
CONT.	CONTINUOUS, CONTINUE	P.T.	PRESSURE TREATED
C.J.	CONTROL JOINT/CONSTR. JOINT	PTD.	PAINTED
CONTR.	CONTRACTOR	P.V.C.	POLYVINYL CHLORIDE
		R.	RISER
DET.	DETAIL	RAD.	RADIUS
DIA.	DIAMETER	R.C.P.	REINFORCED CONC. PIPE
DIM.	DIMENSION	R.D.	ROOF DRAIN
DR.	DOOR	REINF.	REINFORCEMENT
DN.	DOWN	REQD.	REQUIRED
DWG.	DRAWING	R.H.	ROOF HATCH
		R.L.	ROOF LEADER
E.	ELECTRICAL	RM.	ROOM
E.A.	EACH	S.	STORM
ECTR.	EXISTING CEILING TO REMAIN	SAN.	SANITARY
ED.	EDUCATION	S.C.	SEALED CONCRETE
ELEC.	ELECTRICAL	SCHED.	SCHEDULE
E.F.	EACH FACE	SECT.	SECTION
E.J.	EXPANSION JOINT	S.F.	STEP FOOTING
EL.	ELEVATION	S.F.	SIMILAR
ELEV.	ELEVATION	S.O.G.	SLAB ON GRADE
EMER.	EMERGENCY	SPEC.	SPECIFICATIONS
ENCL.	ENCLOSURE	SO.	SQUARE
ENL.	ENLARGED	SO. FT.	SQUARE FEET
ENT.	ENTRANCE	STL.	STEEL
EP.	EPOXY PAINT	STRUC.	STRUCTURAL
EQ.	EQUAL	SUSP.	SUSPENDED, SUSPENSION
ES.	EXPOSED STRUCTURE	S.W.	SHEAR WALL
E.T.R.	EXISTING TO REMAIN	S.W.F.	SHEAR WALL FOOTING
E.W.	EACH WAY		
E.W./E.F.	EACH WAY/EACH FACE	T.	TELEPHONE
EXAM.	EXAMINATION	T&B	TOP & BOTTOM
EXIST	EXISTING	TECH.	TECHNOLOGY
EXP.	EXPANSION	T.O.	TOP OF
EXT.	EXTERIOR	T.O.F.	TOP OF FRAME
		T.O.S.	TOP OF STEEL
FDN.	FOUNDATION	T.F.F.	TOP OF FINISH FLOOR
F.F.	FINISHED FLOOR	T/S	TOP OF SLAB
FIN.	FINISH, FINISHED	T/W	TOP OF WALL
FIXT.	FIXTURE	TYP.	TYPICAL
FL.	FLOOR		
FT.	FOOT	U.O.N.	UNLESS OTHERWISE NOTED
F.S.	FAR SIDE		
FTG.	FOOTING		
		V.B.	VINYL BASE
G.	GAS	V.C.T.	VINYL COMPOSITE TILE
GA.	GAGE, GAUGE	VERT.	VERTICAL
GEN.	GENERAL	V.I.F.	VERIFY IN FIELD
G.C.	GENERAL CONTRACTOR		
GWB.	GYPSUM WALL BOARD	W.	WATER
GYP.	GYPSUM	W/	WITH
GYP. BD.	GYPSUM BOARD	WCJ	WALL CONTROL JOINT
		WD.	WOOD
H.C.	HANDICAPPED	WF.	WIDE FLANGE
HD.	HEADED	W.W.F.	WELDED WIRE FABRIC
HDWE.	HARDWARE	W.W.M.	WELDED WIRE MESH
HGT.	HEIGHT		
H.P.	HIGH POINT	Ø	AT
H.M.	HOLLOW METAL	Ø	DIAMETER
HORIZ.	HORIZONTAL, HORIZONTALLY	d	
H.B.	HOSE BIBB		
HR.	HOUR		
HYD.	HYDRANT		
INSUL.	INSULATION, INSULATED		
INT.	INTERIOR		
INV.	INVERT		
JAN.	JANITOR		
K.P.	KICK PLATE		
LAM.	LAMINATE		
L.F.	LINEAL FOOT		

SYMBOL LEGEND

	ROOM NUMBER
	DOOR NUMBER
	DEMOLITION NOTE
	DETAIL NUMBER DRAWING NUMBER
	CONSTRUCTION NOTE
	SECTION / DETAIL DRAWING NUMBER
	WALL SECTION DRAWING NUMBER
	INTERIOR / EXTERIOR ELEVATION DRAWING NUMBER
	REFERENCE POINT
	WALL TYPE
	REVISION MARK

GRAPHIC LEGEND

	CONCRETE
	CONCRETE MASONRY UNITS
	BRICK
	STONE
	METALS
	COMPACTED GRAVEL
	EARTH
	PLYWOOD
	ACOUSTICAL TILE
	WOOD FRAMING - THROUGH MEMBER
	WOOD FRAMING - INTERRUPTED MEMBER
	FINISHED WOOD
	BATT INSULATION
	RIGID INSULATION
	GYPSUM BOARD

LIST OF DRAWINGS

ARCHITECTURAL DRAWINGS

- COVER SHEET
- A1 - GENERAL INFORMATION
- A2 - CODE PLAN AND INFORMATION
- C1 - SITE PLAN AND DETAILS
- A3 - PHASING PLANS
- A4 - DEMOLITION PLANS
- A5 - BASEMENT FLOOR PLAN
- A6 - FIRST FLOOR PLAN
- A7 - SECOND FLOOR PLAN
- A8 - THIRD FLOOR PLAN
- A9 - BASEMENT REFLECTED CEILING PLAN
- A10 - FIRST FLOOR REFLECTED CEILING PLAN
- A11 - SECOND FLOOR REFLECTED CEILING PLAN
- A12 - THIRD FLOOR REFLECTED CEILING PLAN
- A13 - DOOR AND ROOM FINISH SCHEDULES
- A14 - PARTITIONS AND INTERIOR ELEVATIONS
- A15 - ELEVATIONS
- A16 - WINDOW ELEVATIONS AND DETAILS

MECHANICAL DRAWINGS

- ME1 - GENERAL NOTES AND LEGENDS
- M1 - BASEMENT MECHANICAL PLAN
- M2 - FIRST FLOOR MECHANICAL PLAN
- M3 - SECOND FLOOR MECHANICAL PLAN
- M4 - THIRD FLOOR MECHANICAL PLAN
- M5 - MECHANICAL SCHEDULES AND DETAILS

PLUMBING DRAWINGS

- P1 - BASEMENT PLUMBING PLAN
- P2 - FIRST FLOOR PLUMBING PLAN
- P3 - SECOND FLOOR PLUMBING PLAN
- P4 - THIRD FLOOR PLUMBING PLAN
- P5 - SITE PLAN PLUMBING SCHEDULE

FIRE PROTECTION DRAWINGS

- FP1 - BASEMENT SPRINKLER PLAN
- FP2 - FIRST FLOOR SPRINKLER PLAN
- FP3 - SECOND FLOOR SPRINKLER PLAN
- FP4 - THIRD FLOOR SPRINKLER PLAN
- FP5 - FIRE PROTECTION DETAILS

ELECTRICAL DRAWINGS

- e1 - BASEMENT ELECTRICAL PLAN
- e2 - first FLOOR ELECTRICAL PLAN
- e3 - second floor ELECTRICAL PLAN
- e4 - THIRD floor ELECTRICAL PLAN
- e5 - electrical SCHEDULES AND DETAILS

GENERAL NOTES

1. CONTRACTOR TO FIELD VERIFY ALL EXISTING CONDITIONS & DIMENSIONS
2. ALL MATERIALS & EQUIPMENT ARE NEW UNLESS OTHERWISE NOTED AS "EXISTING"
3. ALL EXISTING UTILITIES & EQUIPMENT LOCATIONS ARE APPROXIMATE - CONTRACTOR TO FIELD VERIFY EXACT LOCATIONS
4. CONTRACTOR ASSUMES ALL RESPONSIBILITY DURING CONSTRUCTION AND WILL REPLACE ANY & ALL DAMAGED ITEMS & EQUIPMENT WITH NO ADDITIONAL COST TO THE OWNER
5. ALL RATED DOORS SHALL HAVE POSITIVE LATCHING LOCKSETS OR LATCHSETS AND CLOSERS
6. ALL DOORS LEADING TO HAZARDOUS AREAS SHALL HAVE TACTILE WARNING
7. ALL DOORS EXITING 100 PERSONS OR MORE SHALL HAVE PANIC EXIT DEVICES
8. ALL HANDICAPPED ACCESSIBLE DOOR HARDWARE SHALL BE PROVIDED TO COMPLY WITH UNIFORM FEDERAL ACCESSIBILITY STANDARDS
9. ALL HAZARDOUS AREAS SHALL HAVE A MINIMUM OF 45 MINUTE DOORS, FRAMES & HARDWARE
10. HAZARDOUS AREAS INCLUDE: CUSTODIAN SPACES, STORAGE ROOMS, AND MECHANICAL ROOMS.
11. THE CONTRACTOR SHALL INSURE THAT ITEMS 5 THROUGH 10 ARE IMPLEMENTED IN NEW & EXISTING BUILDING AREAS
12. ITEMS 5 THROUGH 11 ARE A MINIMUM STANDARD - REFER TO DOOR SCHEDULE ON DRAWING A13 FOR EXACT REQUIREMENTS OF ALL DOORS, FRAMES & HARDWARE
13. ALL PROGRAMS ARE NOT ACCESSIBLE TO THE HANDICAPPED. ALL ROOMS USED BY THE HANDICAPPED HAVE ACCESSIBLE WORK STATIONS, HANDICAPPED SINKS WITH PIPE PROTECTION, ALL ACCESSORIES ARE MOUNTED 48" MAXIMUM FOR SIDE APPROACH OR 48" MAXIMUM FOR FRONT APPROACH. THE ACCESSIBLE ROUTE THROUGH BUILDING IS SIGNED WITH THE INTERNATIONAL SYMBOL OF ACCESSIBILITY AND THE ACCESSIBLE ROUTE HAS 36" CLEARANCE THROUGHOUT (32" CLEARANCE FOR DOORWAYS). ALL ITEMS SHALL COMPLY WITH SECTION 504, REHABILITATION ACT 1973
15. ALL PROGRAM SPACES HAVE BEEN IDENTIFIED ON THE CODE SHEET DRAWING A2. ALL NEW ROOMS OR AREAS REQUIRING WORK ARE FURTHER IDENTIFIED BY A ROOM DESIGNATION SYMBOL (101) & LISTED ON ALL OTHER PLANS

SITE LOCATION MAP

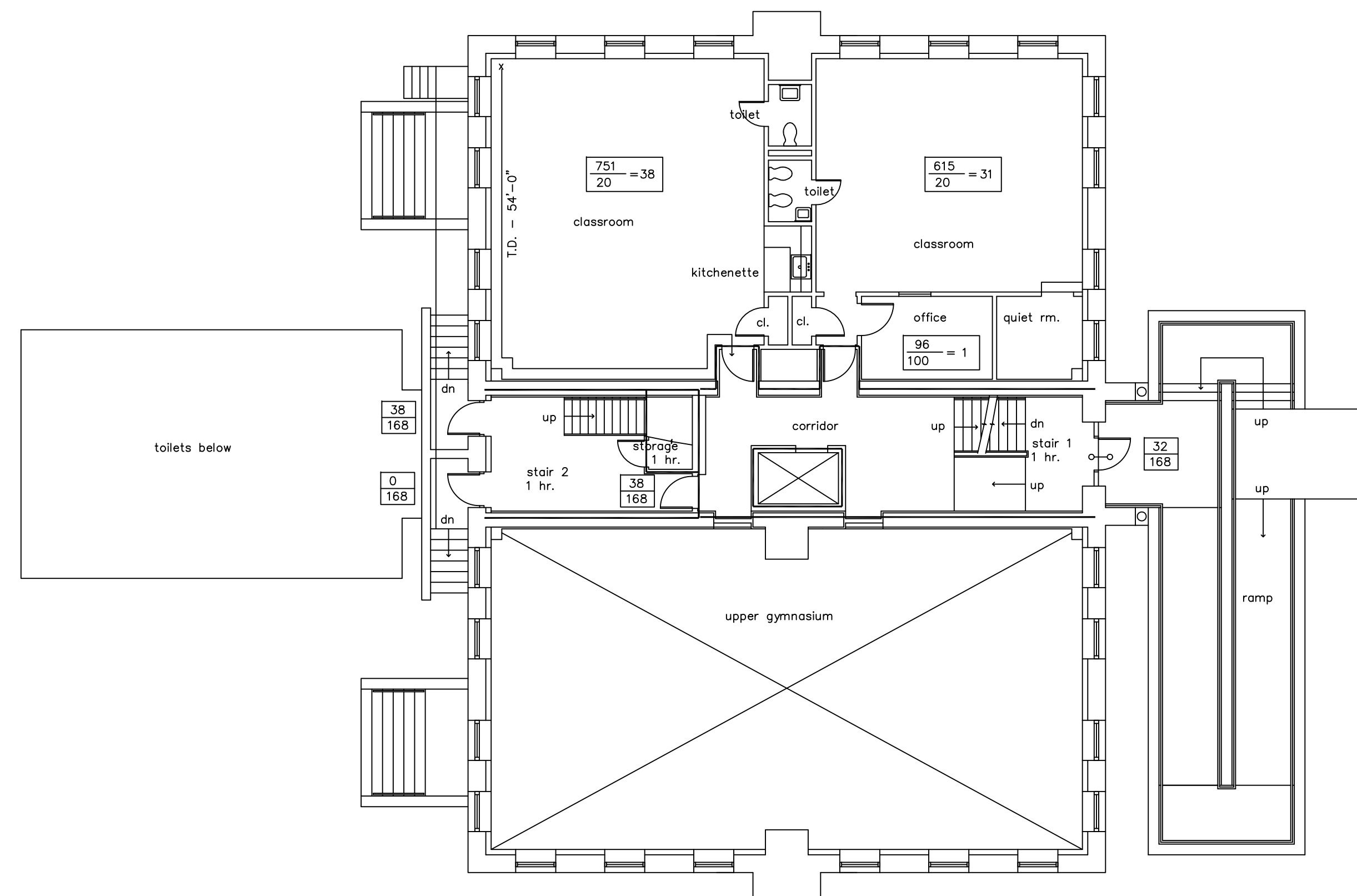
SCALE: NONE

Project Title: RENOVATIONS TO:
GLENBROOK COMMUNITY CENTER
35 CRESCENT STREET
STAMFORD, CONNECTICUT 06906

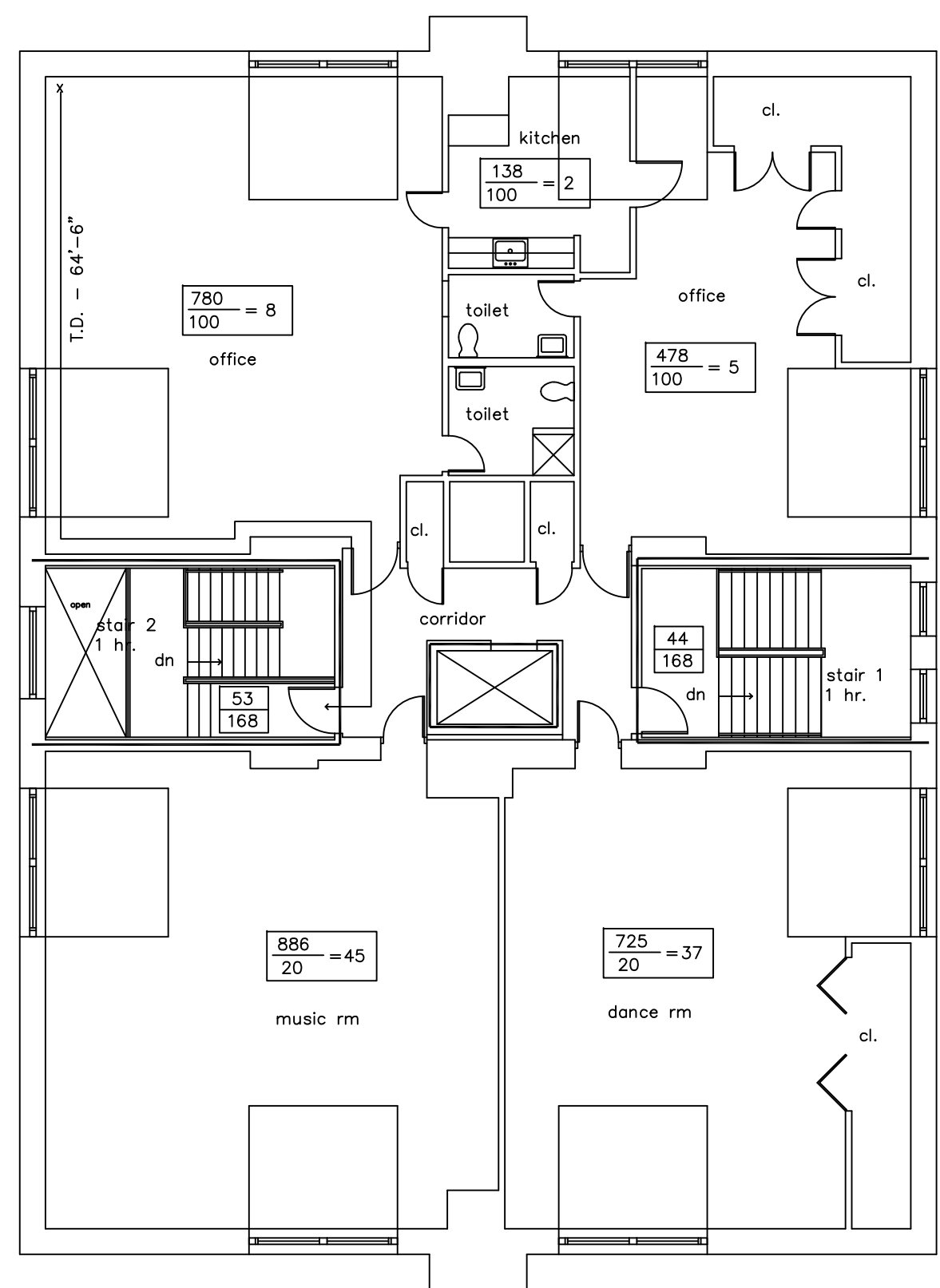
Revision: Description: Date: Revised By:
AS BUILT 12/30/2005

Drawing Title: **GENERAL INFORMATION**

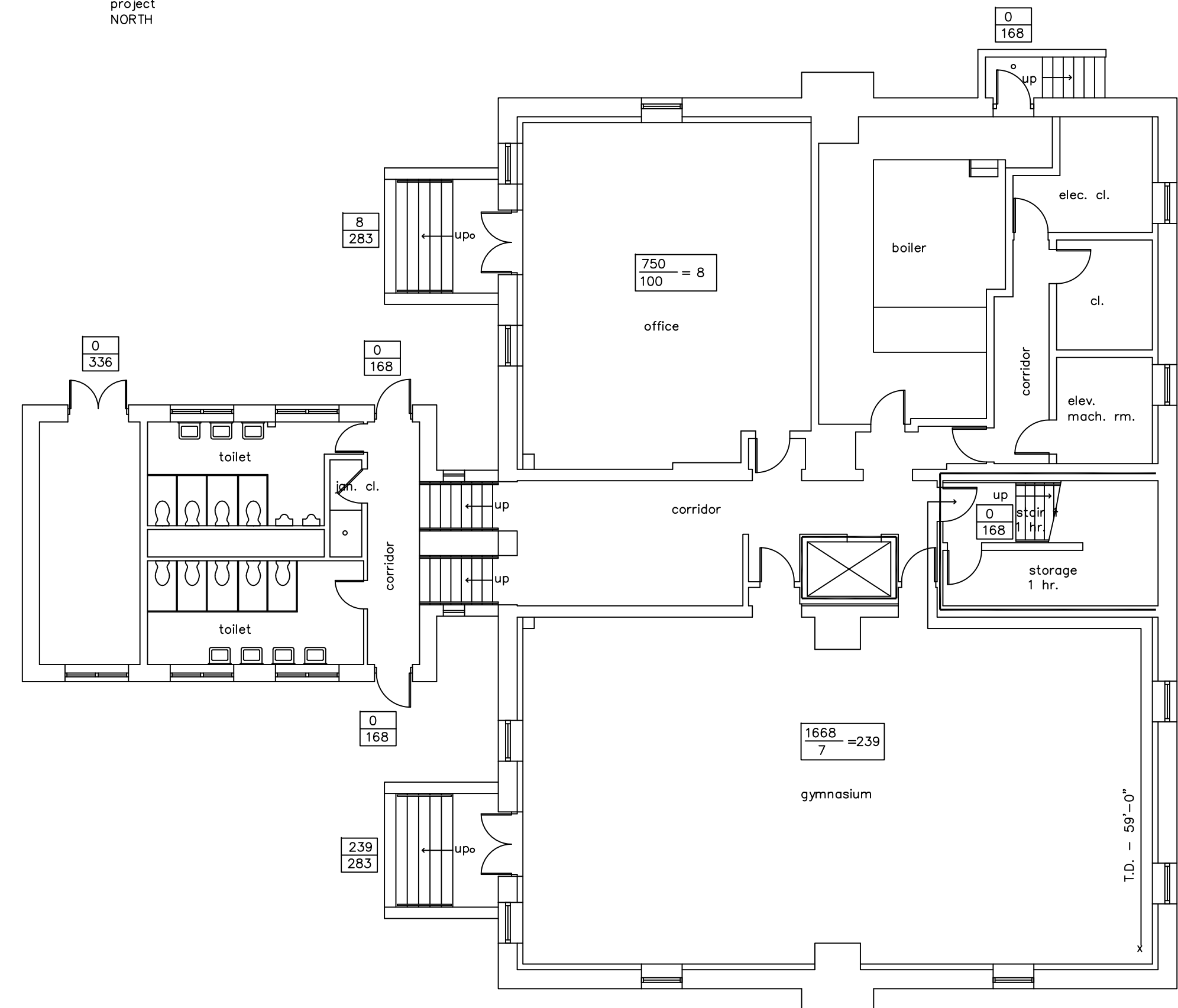
Date: **MAY 25, 2004**
Scale: **AS NOTED**
Drawing Number: **A1**
Project Number:



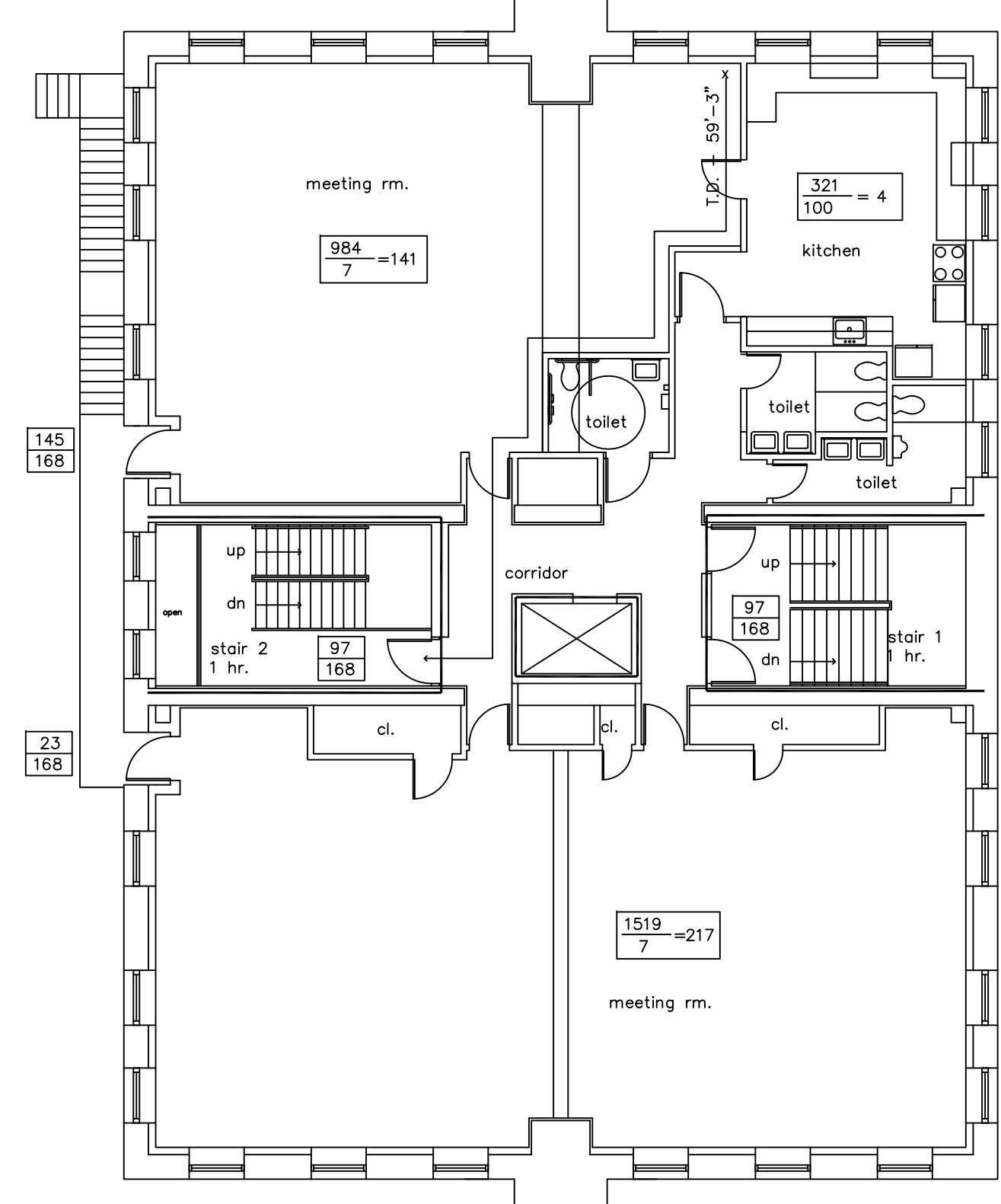
FIRST FLOOR CODE PLAN
SCALE: 1/8" = 1'-0"
project NORTH



third FLOOR CODE PLAN
SCALE: 1/8" = 1'-0"
project NORTH



basement CODE PLAN
SCALE: 1/8" = 1'-0"
project NORTH



second FLOOR CODE PLAN
SCALE: 1/8" = 1'-0"
project NORTH

CODE INFORMATION

DATE OF ORIGINAL CONSTRUCTION: CIRCA 1900
 DATES OF ADDITIONS: CIRCA 1960

1. USE GROUP CLASSIFICATION
 (Primary) b-business
 (Incidental) A3-ASSEMBLY

2. CONSTRUCTION TYPE (Chapter 6)
 Minimum Type Required: 3b
 Actual Type Provided (existing): 3b
 (new): 3b

3. BUILDING HEIGHT (Chapter 5)
 Allowable Height (story/feet): 4/50'-0"
 Actual Height, existing (story/feet): 42'-0"
 (Stories Above Grade): 3

4. BUILDING AREA (Chapter 5)
 a) Gross Building Area (each floor)
 Existing construction: 4,674 sq.ft.
 New construction: 0 sq.ft.
 Total floor: 4,674 sq.ft.
 b) Gross Building Area (entire facility)
 Existing unrenovated construction: 0 sq.ft.
 Existing renovated construction: 17,719 sq.ft.
 Total existing construction: 17,719 sq.ft.
 Total new construction: 0 sq.ft.
 Total facility: 17,719 sq.ft.

5. AREA TABULATION
 Total Perimeter = 79 ft. 102 ft. 102 ft. 79 ft.
 Open Perimeter = 79 ft. 0 ft. 102 ft. 52 ft.
 N E W S
 Total Perimeter (total) 362 ft. Open Perimeter (total) 233 ft.
 % Increase for Open Perimeter =
 (Total Open Perimeter \ Total Perimeter - .25) x 200 =
 (233 \ 362 - .25) x 200 = 78 %

% of Allowable Tabular Area (Table 503) 100
 % Reduction for Height (Table 506.4) - 20
 % Increase for Open perimeter (Table 506.2) + 78
 % Increase for Full Fire Suppression (Table 506.3) + 100
 Total Percentage Factor = 258
 Conversion Factor (% Factor/100) 2.58

USE GROUP "B"
 a) ADJUSTED TABULAR AREA: 1,812 sq.ft.
 (actual floor area 4,674 / conversion factor 2.58)

b) ALLOWABLE AREA per floor: 51,084 sq.ft.
 (tabular area 19,800 x conversion factor 2.58)

c) ACTUAL AREA: 4,674 sq.ft.

USE GROUP "A-3" (ON SECOND FLOOR)
 a) ADJUSTED TABULAR AREA: 972 sq.ft.
 (actual floor area 2,507 / conversion factor 2.58)

b) ALLOWABLE AREA per floor: 29,799 sq.ft.
 (tabular area 11,550 x conversion factor 2.58)

c) ACTUAL AREA: 2,507 sq.ft.

6. MIXED USE (313.0)
 Non separated uses
 Separated uses
 (Use Group b) (Use Group a)
 $\frac{\text{Actual Area}}{\text{Allowable Area}} + \frac{\text{Actual Area}}{\text{Allowable Area}} \leq 1$
 $\frac{4,674}{51,084} + \frac{2,507}{29,799} = 0.2$

7. OCCUPANCY LOAD
 Design Total (basement "A"/"B") 239/8
 Design Total (first floor "A"/"B") 0/70
 Design Total (second floor "A"/"B") 358/4
 Design Total (third floor "A"/"B") 0/97
 Total exit Capacity for Each Floor: 1,070 / 336 / 672 / 336
 Design Total for Building 776
 Total Exit Capacity for Building 1,070

8. FIRE RESISTANT RATING OF STRUCTURAL ELEMENTS
 a) Exterior Walls (load bearing) 0 & 2 Hr(s)
 b) Fire Walls 2 Hr(s)
 c) Fire Separations 2 Hr(s)
 d) Smoke Barriers 1 Hr(s)
 e) Enclosures of Exits 1 Hr(s)
 f) Shafts 2 Hr(s)
 g) Exit Access Corridors 1 Hr(s)
 h) Separations 1 Hr(s)
 i) Interior Bearing Walls & Columns 0 Hr(s)
 j) Structural Members Supporting Walls 0 Hr(s)
 k) Floor Construction including Beams 0 Hr(s)
 l) Roof Construction 0 Hr(s)

LEGEND

840 / 100 = 9 AREA IN S.F. OCC. LOAD FACTOR ROOM OCCUPANCY LOAD

42 / 168 ACTUAL EGRESS OCC. OF DOOR MAX. ALLOWABLE EGRESS OCC. OF DOOR EXIT CAPACITY

120 DIRECTION OF TRAVEL W/ ACCUMULATED OCC. LOAD

145' MAXIMUM TRAVEL DISTANCE FROM FURTHEST POINT

ACCESSIBLE AREA OR EXIT

1 HOUR FIRE RATED WALL AND SMOKE BARRIER

2 HOUR FIRE RATED WALL AND SMOKE BARRIER

1HR RATED SMOKE BARRIER

EXISTING WALL

NEW WALL

○-○ DENOTES ACCESSIBLE THRESHOLD [] MAX STEP WITH BEVELED THRESHOLD OR [] WITHOUT BEVELED THRESHOLD

9. MODIFICATIONS

	Approved	Not Approved
	<input type="checkbox"/>	<input type="checkbox"/>
	<input type="checkbox"/>	<input type="checkbox"/>
	<input type="checkbox"/>	<input type="checkbox"/>
	<input type="checkbox"/>	<input type="checkbox"/>

10. ACCESSIBLE BUILDING

NA	Designated
	Non Designated

11. MINIMUM PLUMBING FIXTURE COUNT (I.P.C. 403.0 DESIGN LOAD)

	Required	Provided
W/C	14	21
Lavs	8	16
D/F	2	2
sevice sink	1	1

12. SPRINKLER PROTECTION

X	Entire Building
	Limited Area

14. CODES TO WHICH THIS PROJECT WAS DESIGNED

State Building Code w/Supplement	1996/1999/2000
State Fire Code w/Supplement	1997/1999/2000
State Health Code	2002
OSHA	1998
Section 504	8-7-84 (49FR31528)
Other	

FIRE SAFETY CODE DATA:

1. CLASSIFICATION OF OCCUPANCY	business
2. MINIMUM CONSTRUCTION REQUIRED	3b
ACTUAL CONSTRUCTION PROVIDED	3b
3. NOTIFICATION / ALARMS	YES X NO
4. DETECTION	YES X NO
5. EXTINGUISHMENT REQUIREMENTS	YES X NO

MEANS OF EGRESS

MAXIMUM FLOOR AREA ALLOWANCES PER OCCUPANT

USE	FLOOR AREA IN S.F. PER OCCUPANT
1. CLASSROOMS	20 S.F. NET
2. SHOPS & VOCATIONAL	50 S.F. NET
3. ASSEMBLY	
WITHOUT FIXED SEATS	7 S.F. NET
TABLES AND CHAIRS	15 S.F. NET
4. LIBRARY	50 S.F. NET
5. MECHANICAL AREAS	300 S.F. GROSS
6. BUSINESS AREAS	100 S.F. GROSS

MAXIMUM LENGTH OF EXIT TRAVEL
 1. B.O.C.A. TABLE 1006.5 150 FEET
 2. LIFE SAFETY TABLE A-5.6.1 150 FEET (MOST RESTRICTIVE GOVERNS)

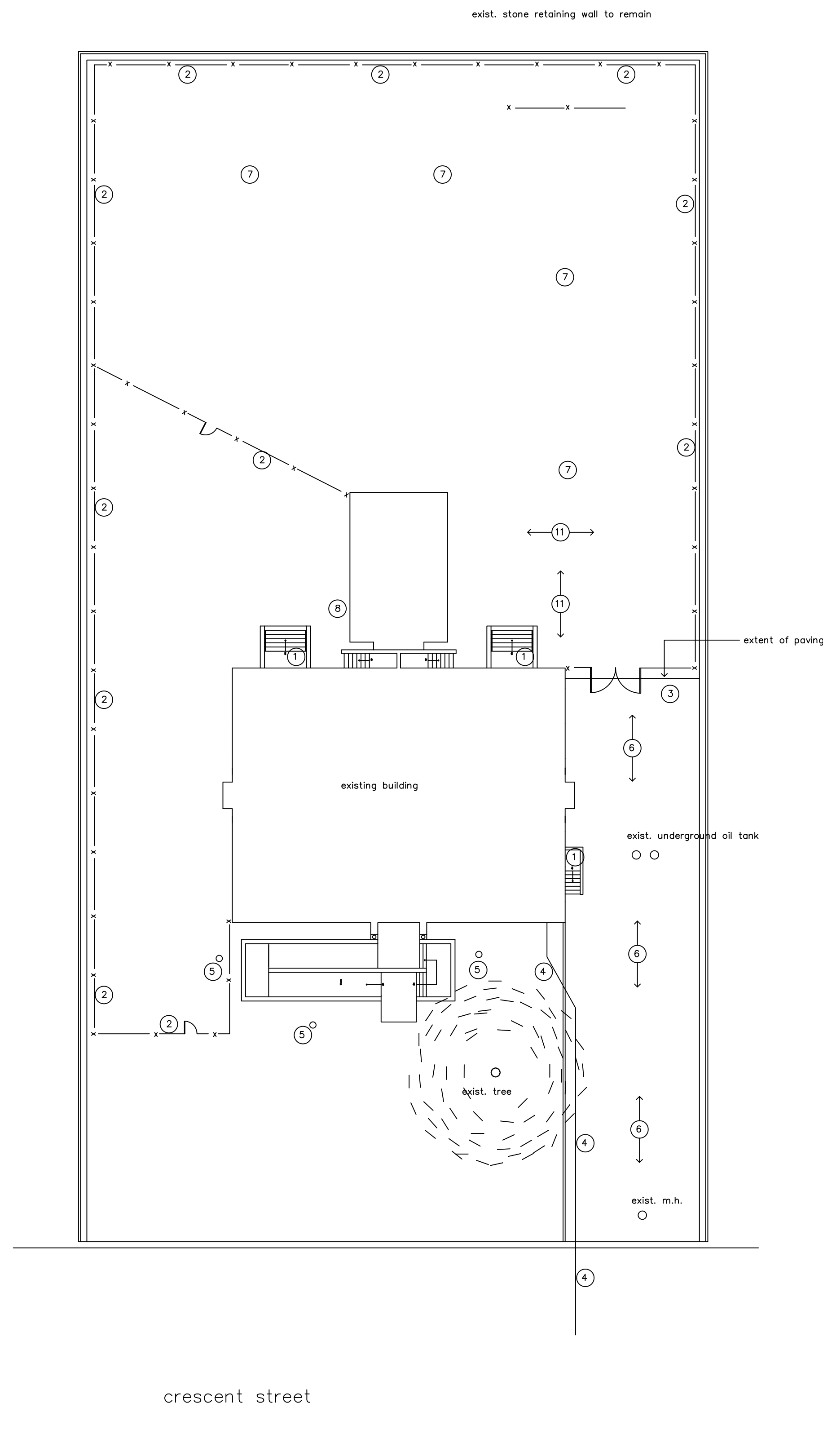
Project Title: RENOVATIONS TO:
GLENBROOK COMMUNITY CENTER
 35 CRESCENT STREET
 STAMFORD, CONNECTICUT 06906

Revision	Description	Date	Revised By:
AS BUILT		12/30/2005	

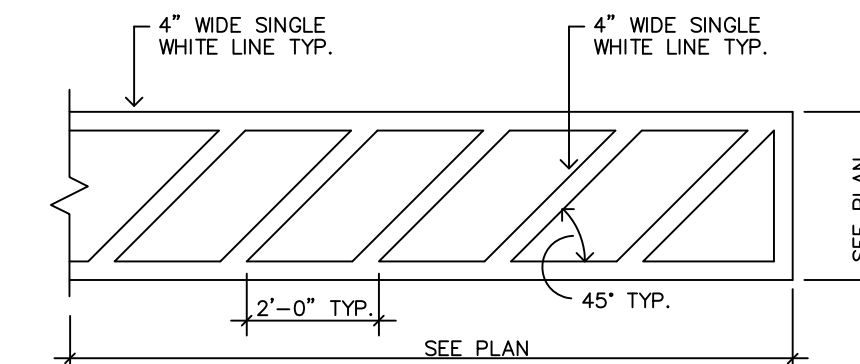
Project Title: **CODE INFORMATION**

Date: MAY 25, 2004
 Scale: 1/8" = 1'-0"
 Drawn By: _____
 Project Number: _____

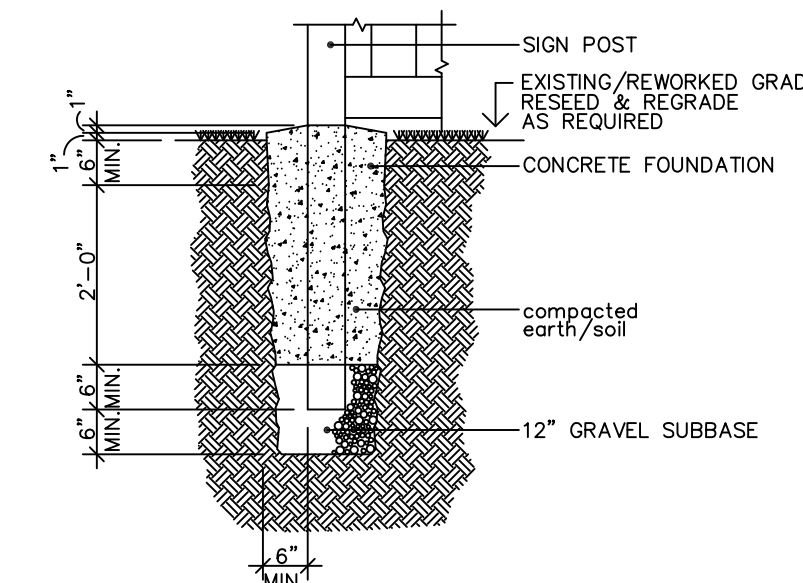
A2



TYPICAL SIGN DETAIL
scale: 1 1/2" = 1'-0"
3 C1



PAINTED STRIPING DETAIL
SCALE: NONE
4 C1



TYPICAL EMBEDDED SIGN POST DETAIL
SCALE: NONE
5 C1

SYMBOL LEGEND

- X site signage SEE SIGN LEGEND
- ♿ PAINTED H.C. PARKING SYMBOL
- — — PROPERTY LINE
- ≡ ≡ ≡ EXISTING BIT. CURBING TO BE REMOVED SEE NOTE #
- ≡ ≡ ≡ EXISTING BIT. CURBING TO BE REMAIN
- ▨▨▨▨▨ NEW PAINTED STRIPING SEE
- □ SILT FENCE HAYBALS. SEE DETAIL W/SP2
- e — electrical line
- t — telephone line
- s — sanitary LINE
- G — GAS LINE
- ▨▨▨▨▨ NEW BITUMINOUS PAVING SEE GEN. NOTE #
- X — chain link FENCE
- ◇ SITE NOTE
- EXISTING MANHOLE TO REMAIN
- M.H.
- ① PLAN, SECTION, DETAIL SHEET NUMBER

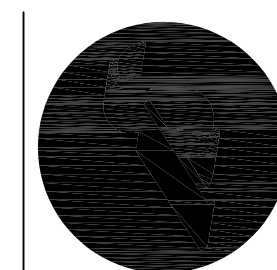
general site notes

1. PRIOR TO ANY EXCAVATION, CONTRACTOR TO NOTIFY 'CALL BEFORE YOU DIG', 1.800.922.4455.

CONSTRUCTION NOTES

1. remove cover and clean existing yard drain snake out piping to the nearest manhole.
2. provide 6' tall galv. chain link fencing, including man gates and vehicle gate. remove exist. fence and patch exist. stone wall at old sleeve connections
3. remove existing tree stump and fencing and provide process for new bituminous paving
4. trench and backfill for new sprinkler water service from main in street to building. patch paving in street as required. see pipe bedding detail this sheet.
5. provide decorative pole lights and all associated underground wiring, trenching etc. see electrical dwgs for additional information.
6. provide new bituminous concrete paving, including milling of exist. paving, process sub-base, base and top coats. see specification for more information.
7. fill and patch existing potholes with bituminous conc. paving.
8. provide sink and all associated piping and sanitary connections. see plumbing dwgs for more information.

Project Title:
RENOVATIONS TO:
GLENBROOK COMMUNITY CENTER
35 CRESCENT STREET
STAMFORD, CONNECTICUT 06906



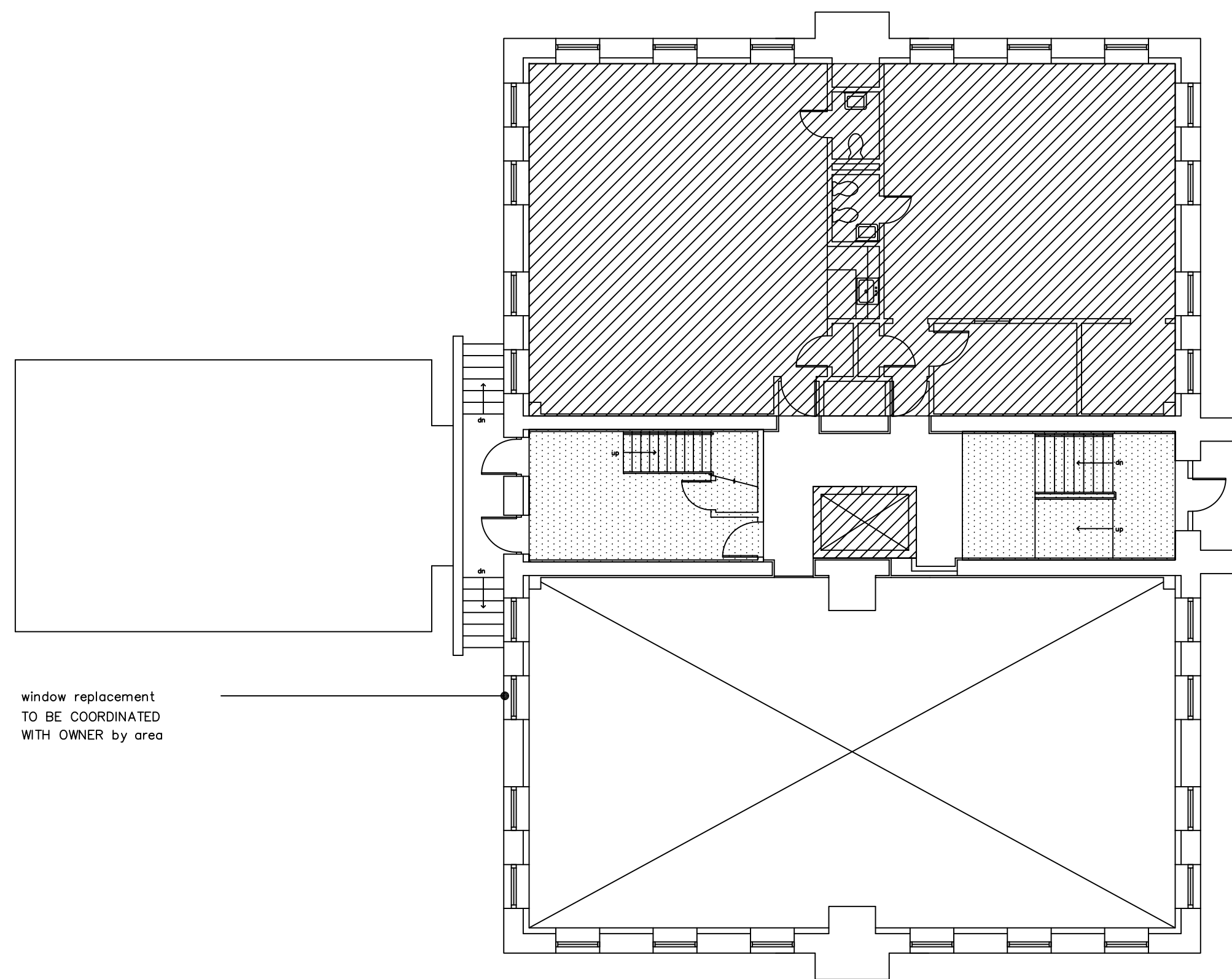
SILVER / PETRUCELLI + ASSOCIATES
Architects
3190 Whitney Avenue, Hamden, CT 06518-2340
Tel. 203 230 9007 Fax. 203 230 8247
silverpetrucelli.com

Revision:	Description:	Date:	Revised By:

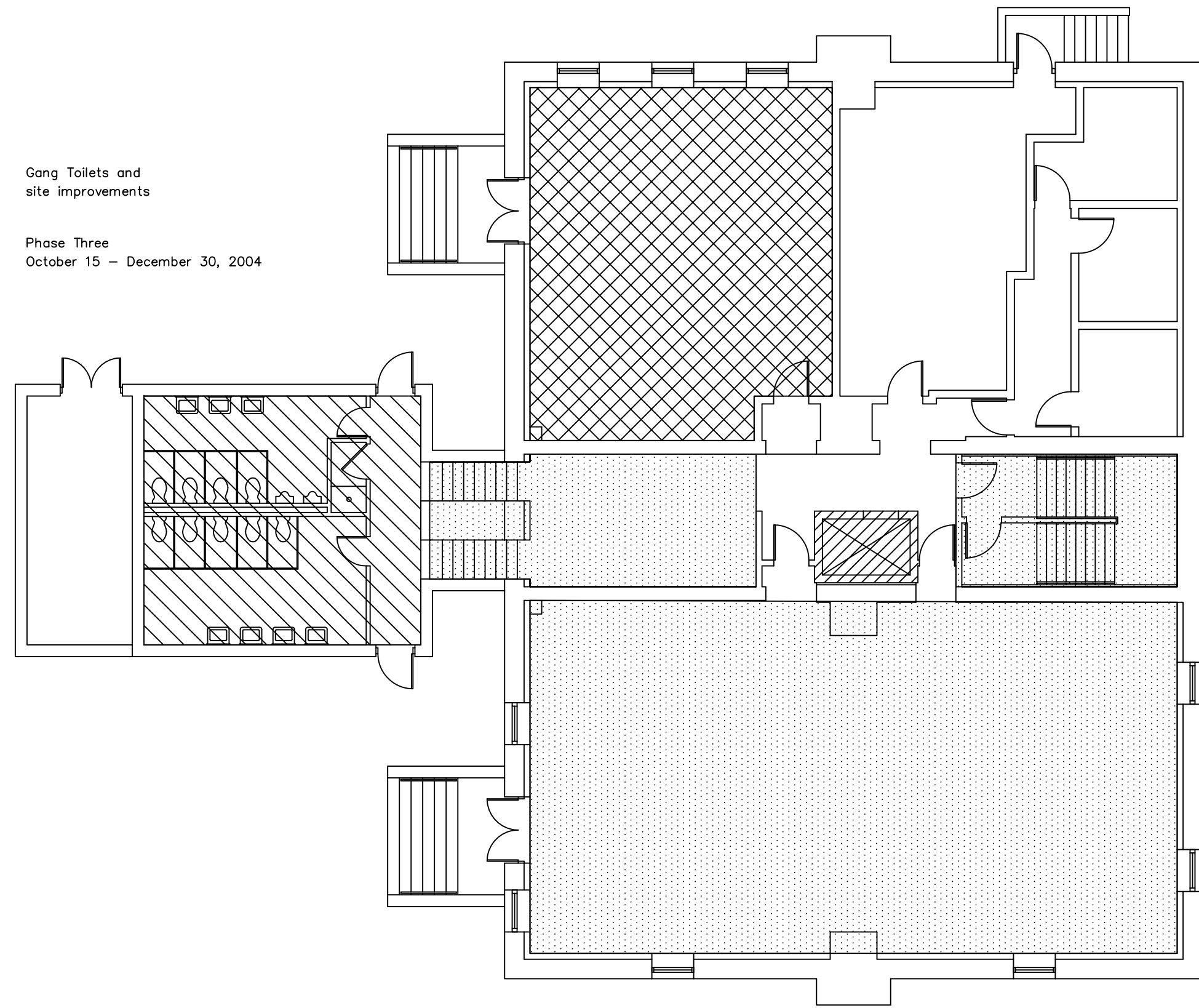
Drawing Title:
SITE PLAN AND DETAILS

Date:
FEBRUARY 12, 2004
Scale:
1/4" = 1'-0"
Drawn By:
PEJ
Project Number:
03.57

C1



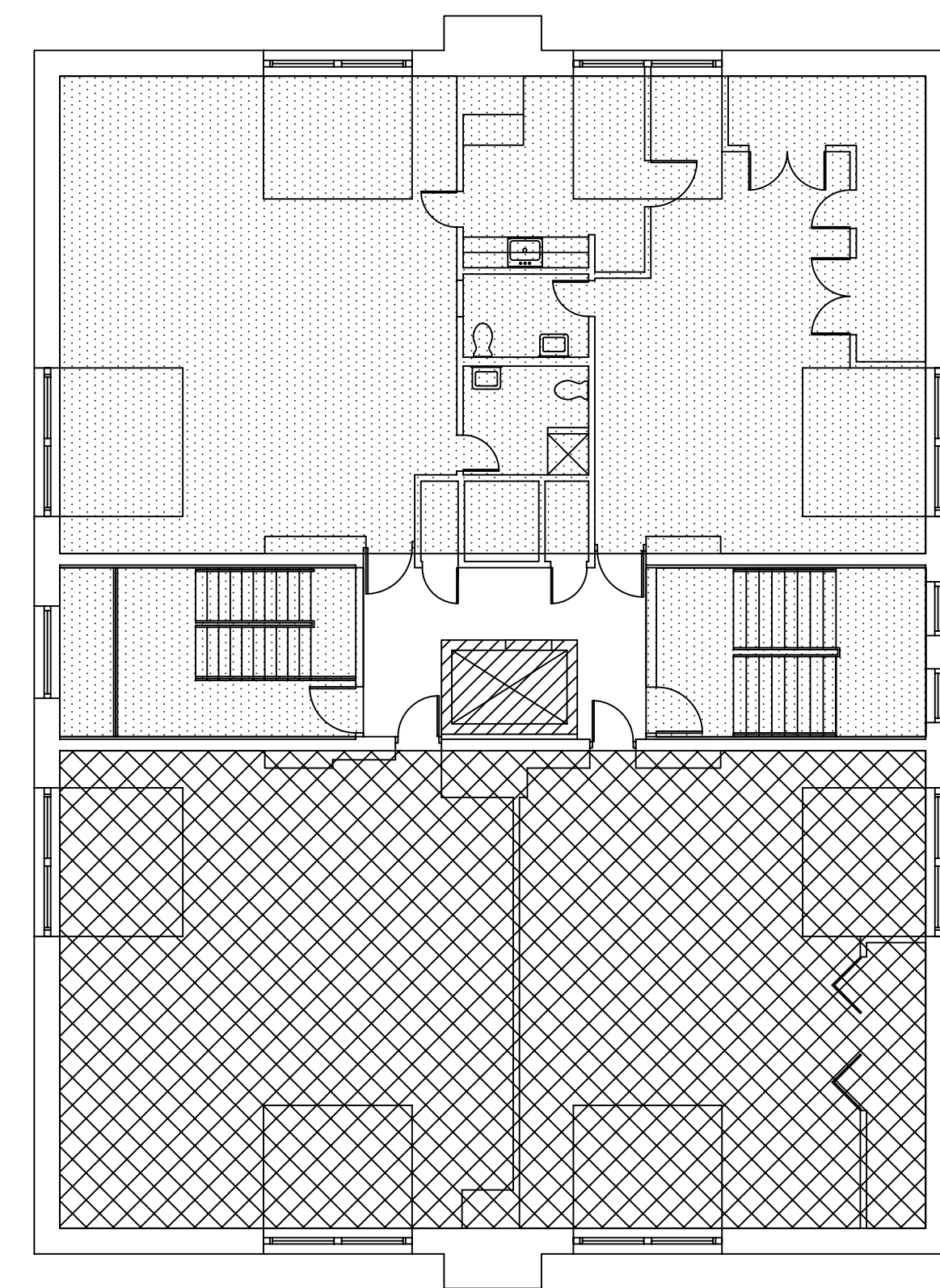
FIRST FLOOR PHASING PLAN
 SCALE: 1/8" = 1'-0"
 project NORTH



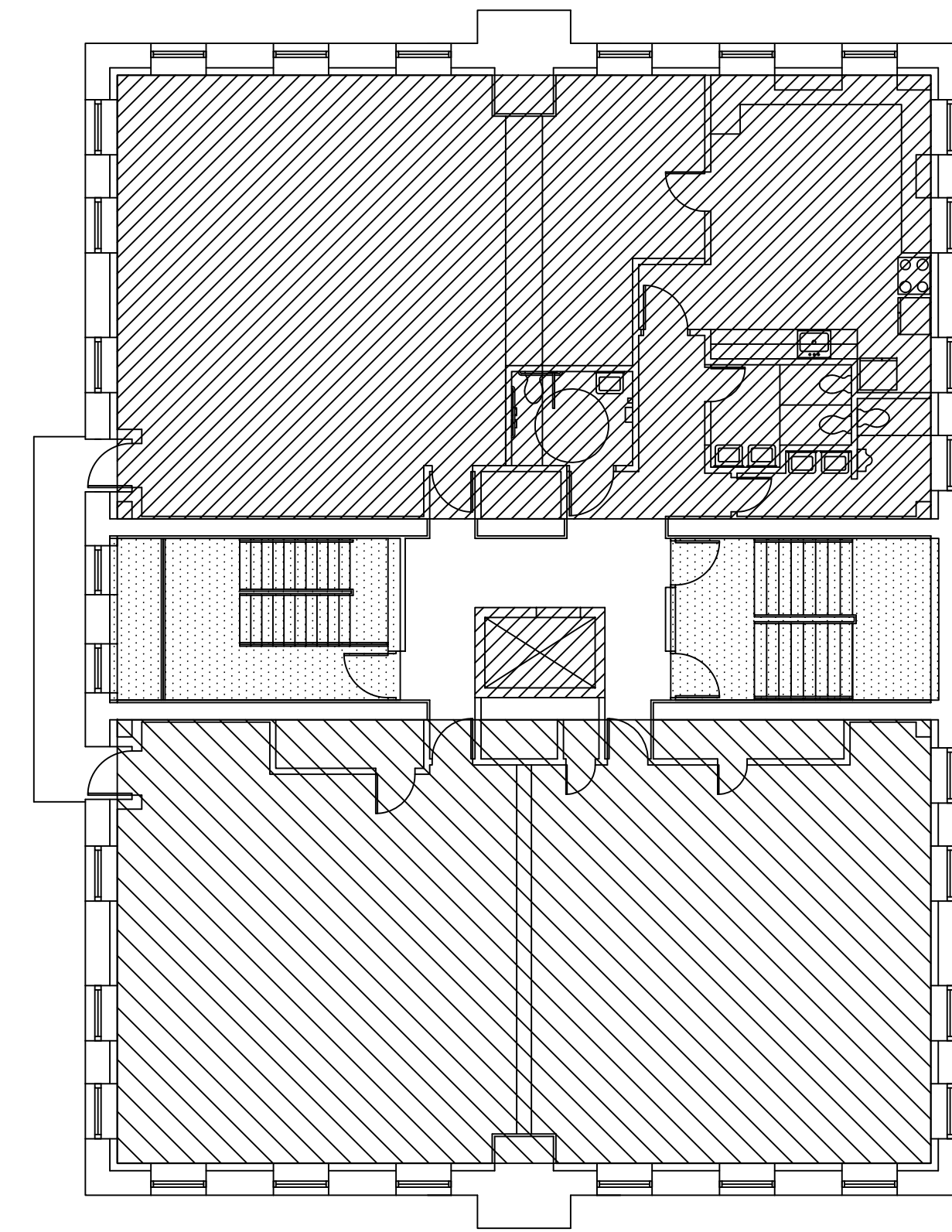
basement PHASING PLAN
 SCALE: 1/8" = 1'-0"
 project NORTH

two classrooms, toilets and elevator
 Phase One
 June 15 - August 30, 2004
 (one classroom at a time)

window replacement TO BE COORDINATED WITH OWNER by area



third FLOOR PHASING PLAN
 SCALE: 1/8" = 1'-0"
 project NORTH



second FLOOR PHASING PLAN
 SCALE: 1/8" = 1'-0"
 project NORTH

two OFFICES, toilets and kitchen
 Phase Two
 August 30 - October 15, 2004

DANCE AND MUSIC ROOMS

Phase Four
 November 30, 2004 - February 28, 2005

MEETING room, kitchen and toilets

Phase One
 June 15 - August 30, 2004

MEETING ROOM

Phase Three
 October 15 - DECEMBER 30, 2004

REVISED PHASING PLAN - LEGEND

- PHASE One
August 30 - octoBER 15, 2004
- PHASE Two
October 15 - December 30, 2004
- PHASE three
November 30, 2004 - February 28, 2005
- PHASE FOUR
June 15 - August 30, 2005

NOTE:
 PHASE ONE ON SHEET A3 BECOMES PHASE FOUR AND IS RE-SCHEDULED EXACTLY ONE YEAR LATER. ALL OTHER PHASES ARE RE-NUMBERED ACCORDINGLY AND THE DATES REMAIN THE SAME.
 THESE NOTES/DATES SUPERCEDE THE WRITTEN DATES IN THE PLAN (A3)

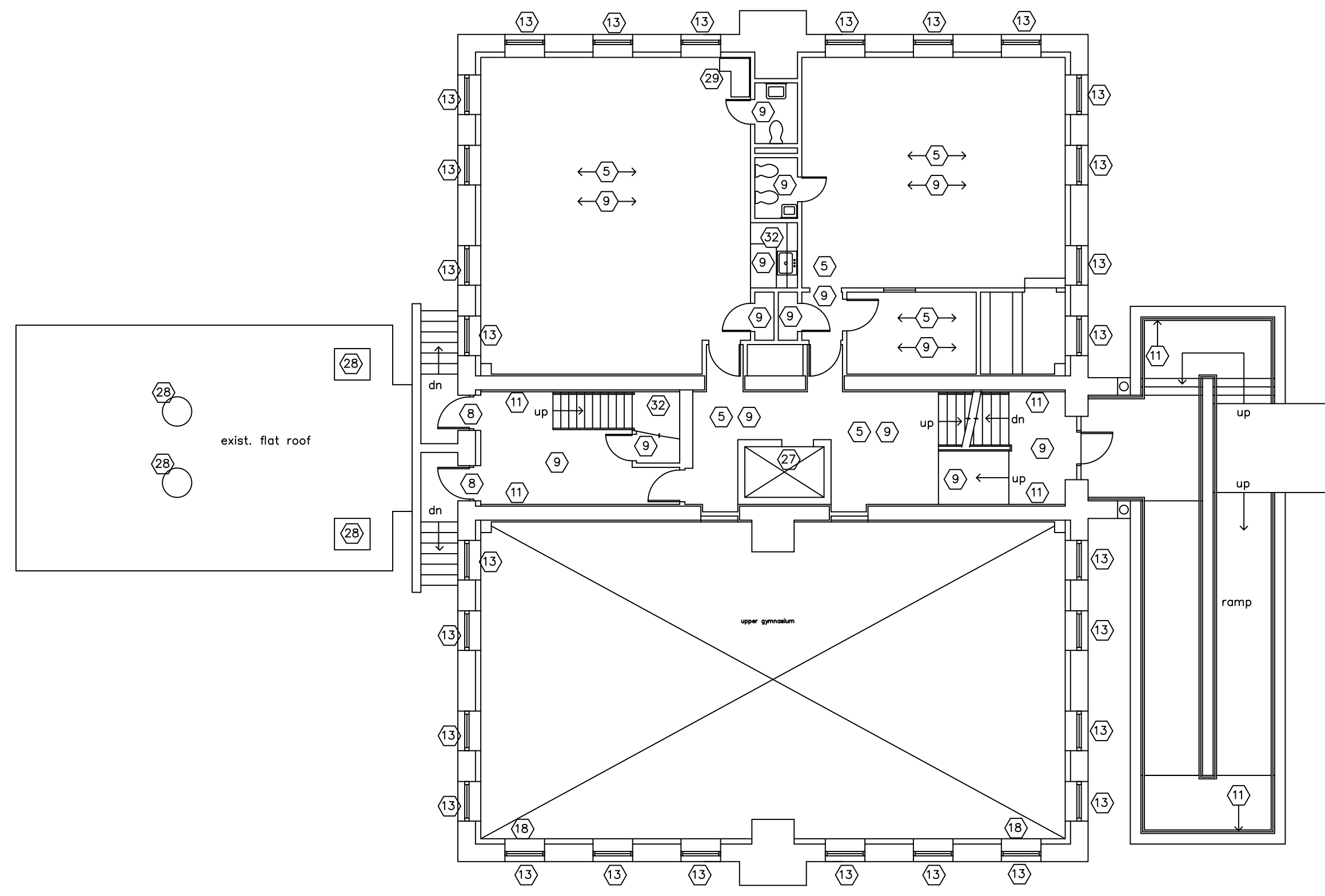
PHASING PLAN - LEGEND

- PHASE ONE
June 15 - August 30, 2004
- PHASE TWO
August 30 - octoBER 15, 2004
- PHASE THREE
October 15 - December 30, 2004
- PHASE FOUR
November 30, 2004 - February 28, 2005

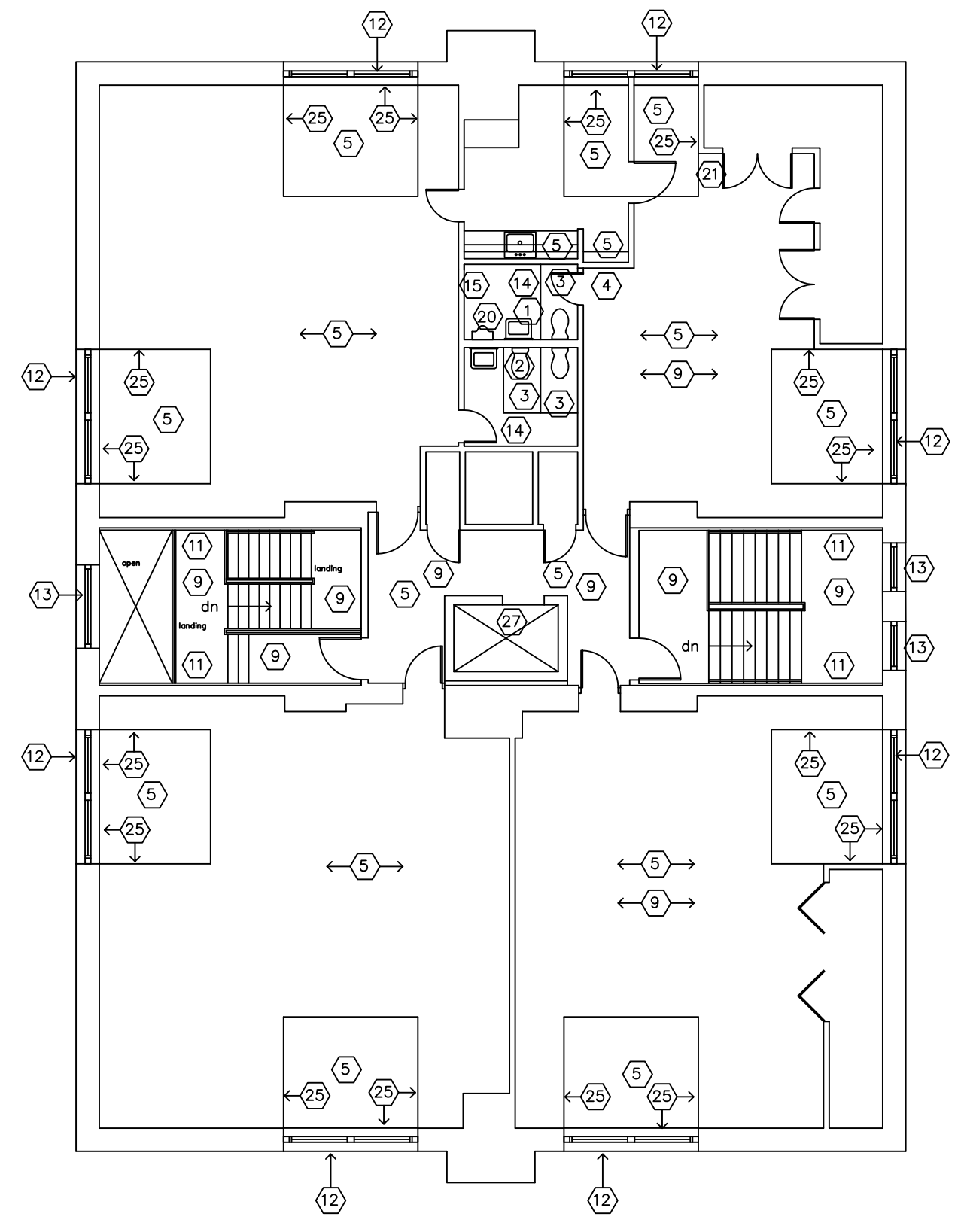
PHASING PLAN - GENERAL NOTES

1. PHASING PLAN SHOWS AVAILABILITY OF BUILDING SPACES AND SEQUENCING OF CONSTRUCTION ACTIVITIES. CONTRACTOR TO submit detailed CONSTRUCTION PHASING SCHEDULE for approval by owner.
2. PHASING PLAN start dates for each phase are approximate and require confirmation with owner prior to work commencement.

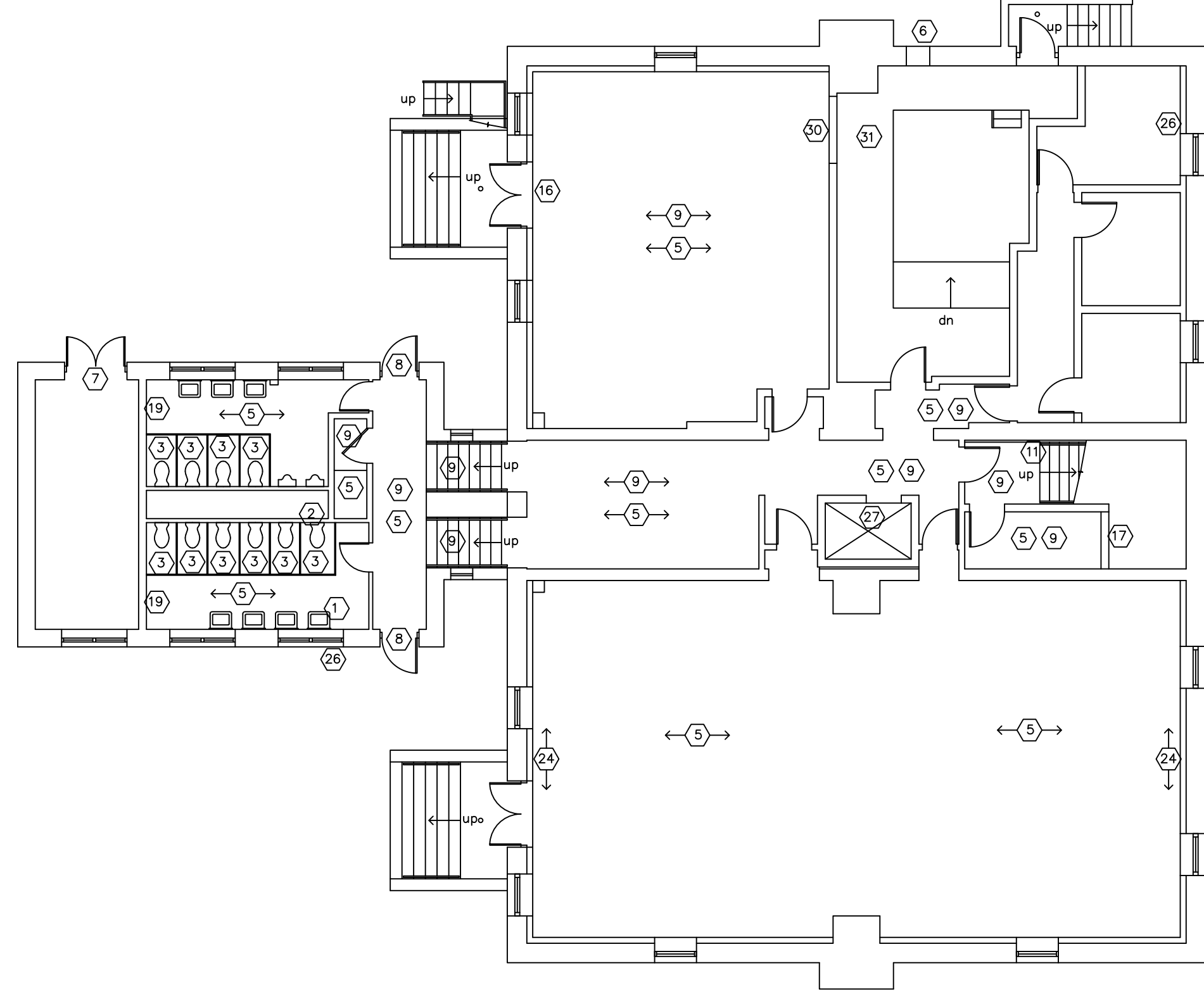
Revision	Description	Date	Revised By:
AS BUILT		12/30/2005	



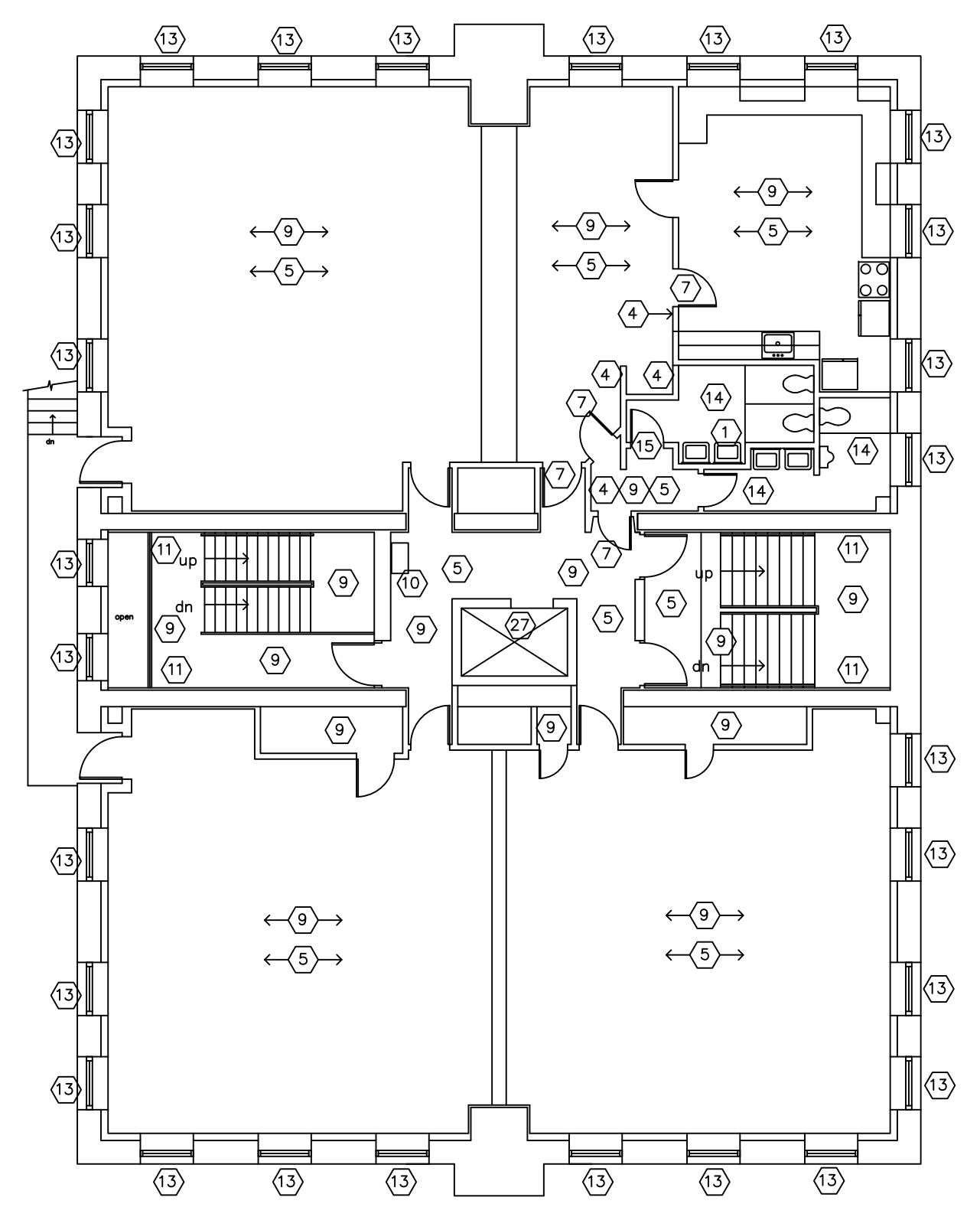
FIRST FLOOR DEMOLITION PLAN
 SCALE: 1/8" = 1'-0"
 project NORTH



third FLOOR DEMOLITION PLAN
 SCALE: 1/8" = 1'-0"
 project NORTH



basement DEMOLITION PLAN
 SCALE: 1/8" = 1'-0"
 project NORTH



second FLOOR DEMOLITION PLAN
 SCALE: 1/8" = 1'-0"
 project NORTH

SYMBOL LEGEND

- EXISTING WALLS TO REMAIN
- EXISTING TO BE REMOVED
- NEW gypsum board/stud wall PARTITIONS
- DOOR NUMBER - SEE DOOR SCHED. ON DWG. a13
- ROOM NUMBER - SEE RM. FIN. SCHED. ON DWG. A13
- DEMOLITION NOTES - SEE DEMO plans a4
- PARTITION TYPES - SEE sheet A14
- window TYPES - SEE sheet A16
- construction notes - SEE plans A5 through a8
- ELEVATION OR SECTION NUMBER - SHEET NUMBER
- PLAN, SECTION, DETAIL, OR ELEV. NUMBER - SHEET NUMBER
- RECESSED FIRE EXTINGUISHER CABINET

- GENERAL NOTES**
1. CONTRACTOR TO FIELD VERIFY ALL EXISTING CONDITIONS & DIMENSIONS
 2. ALL DIMENSIONS ARE TO OUTSIDE FACE OF STONE, CONCRETE BLOCK OR GYPSUM BOARD, TYP.
 3. ALL H.C. ACCESSIBLE ROOMS TO RECEIVE H.C. SIGNAGE AT DOOR - SEE DOOR SCHEDULE, sheet a13
 4. FOR NEW WORK BEING DONE ON EXISTING DOORS & FRAMES - SEE DOOR SCHEDULE, sheet a13
 5. SEAL ALL DUCT & PIPE PENETRATIONS THROUGH RATED WALLS WITH SAFING INSULATION - SEE code information sheet FOR LOCATIONS OF ALL fire RATED PARTITIONS - SEE SPECIFICATIONS
 6. PATCH ALL EXISTING masonry WALLS AFFECTED BY NEW WORK
 7. PATCH ALL EXISTING GYPSUM BOARD AND ACOUSTICAL CEILING AFFECTED BY NEW WORK
 8. see mechanical and electrical drawings for additional demolition notes and information
 9. cut, support and patch all walls/ceilings as required by mechanical/electrical work. REFER TO UNTEL schedule for new openings IN BRG. WALLS
 10. remove and reset all existing plumbing fixtures and toilet accessories to remain as necessary to replace existing finishes behind and under fixtures.

- DEMOLITION NOTES**
1. REMOVE EXISTING lavatory and assoc. piping. see plumbing drawings for more information
 2. REMOVE EXISTING toilet fixture and assoc. piping SEE plumbing DWGS for more information
 3. REMOVE EXISTING toilet partitions and accessories. SEE plumbing DWGS for more information
 4. REMOVE EXISTING GYPSUM BOARD & WOOD STUD PARTITION AND ALL HIDDEN SECONDARY CEILINGs back to structure opening. see lintel detail for steel supports
 5. REMOVE EXISTING A.C.T., SUPPORT SYSTEM, LIGHTING AND ASSOC. HARDWARE
 6. REMOVE EXISTING H.M./WOOD DOOR, FRAME AND ASSOC. HARDWARE
 7. REMOVE EXIST. h.m. DOOR & ASSOC. HARDWARE
 8. REMOVE EXIST. h.m. DOOR & ASSOC. HARDWARE
 9. REMOVE EXISTING v.c.t. flooring, vinyl base AND ADHESIVE RESIDUE, including oil stair treads and risers
 10. REMOVE EXISTING drinking fountain and assoc. piping see plumbing drawings for more information.
 11. REMOVE EXISTING lighting and assoc. wiring. see elec. drawings for more information.
 12. REMOVE EXISTING window frame, glazing and sill. remove dormer siding, sheathing, roofing and decking and any rotted or damaged dormer framing as indicated in allowance. see specification.
 13. bid alternate #5 - first, second floor & stair windows. REMOVE EXISTING window frame and glazing. keep in place existing 1" perimeter metal frame, top, bottom and sides to receive replacement windows. remove and replace wire mesh protective guards as necessary to perform indicated work. base bid: disconnect window operator at type a1 on plan for top operable panel, replace exist. broken screens and exist. broken window panes.
 14. REMOVE EXISTING ceramic tile flooring, base AND wall tile. Remove gypsum/cement board tile backing from face of studs.
 15. REMOVE and reuse EXISTING H.M./WOOD DOOR, FRAME AND ASSOC. HARDWARE
 16. Relocate EXISTING steam line in front of doors. see mech. drawings for more information.
 17. REMOVE EXISTING CONCRETE BLOCK PARTITION
 18. REMOVE EXISTING EXHAUST FANS see mech. drawings for more information.
 19. REMOVE EXISTING FIN TUBE RADIATOR see mech. drawings for more information.
 20. REMOVE EXISTING URINAL see PLUMBING drawings for more information.
 21. REMOVE EXISTING abandoned piping to below sub-floor and patch prior to installing fin. floor.
 22. REMOVE EXISTING mechanical unit & associated ductwork wiring and piping. see mech. dwgs.
 23. REMOVE EXISTING ductwork above exist. ceiling including supply and return grilles. see mech. dwgs.
 24. REMOVE EXISTING radiator covers. see mech. drawings for all locations.
 25. REMOVE EXISTING gypsum board from face of studs and remove insulation.
 26. drill through exterior stone wall for new conduit, hydronic and/or fire protection piping. see elec., plumbing & fire protection dwgs. for more information
 27. bid alternate #4 - refurbish elevator. remove exist. cab finishes and frame, controls and guiderails as required to rebuild. see specification for full scope information.
 28. remove exist. mech. condensers, exhaust fans & assoc. piping and wiring. see mech. dwgs.
 29. REMOVE EXISTING wood frame/dm. diaper changing table, sink, piping and fin tube radiator directly below.
 30. REMOVE EXISTING masonry as required for new ductwork see mech. dwgs.
 31. RE-work EXISTING steam piping as required for ductwork see mech. dwgs.
 32. REMOVE EXISTING gyp. bd. ceiling and assoc. furring.

Project Title: RENOVATIONS TO:
GLENBROOK COMMUNITY CENTER
 35 CRESCENT STREET
 STAMFORD, CONNECTICUT 06906

Revision	Description	Date	Revised By:
AS BUILT		12/30/2005	

Drawing Title: **DEMOLITION PLANS**

Date: **MAY 25, 2004**

Scale: **1/8" = 1'-0"**

Project Number: **A4**

SYMBOL LEGEND

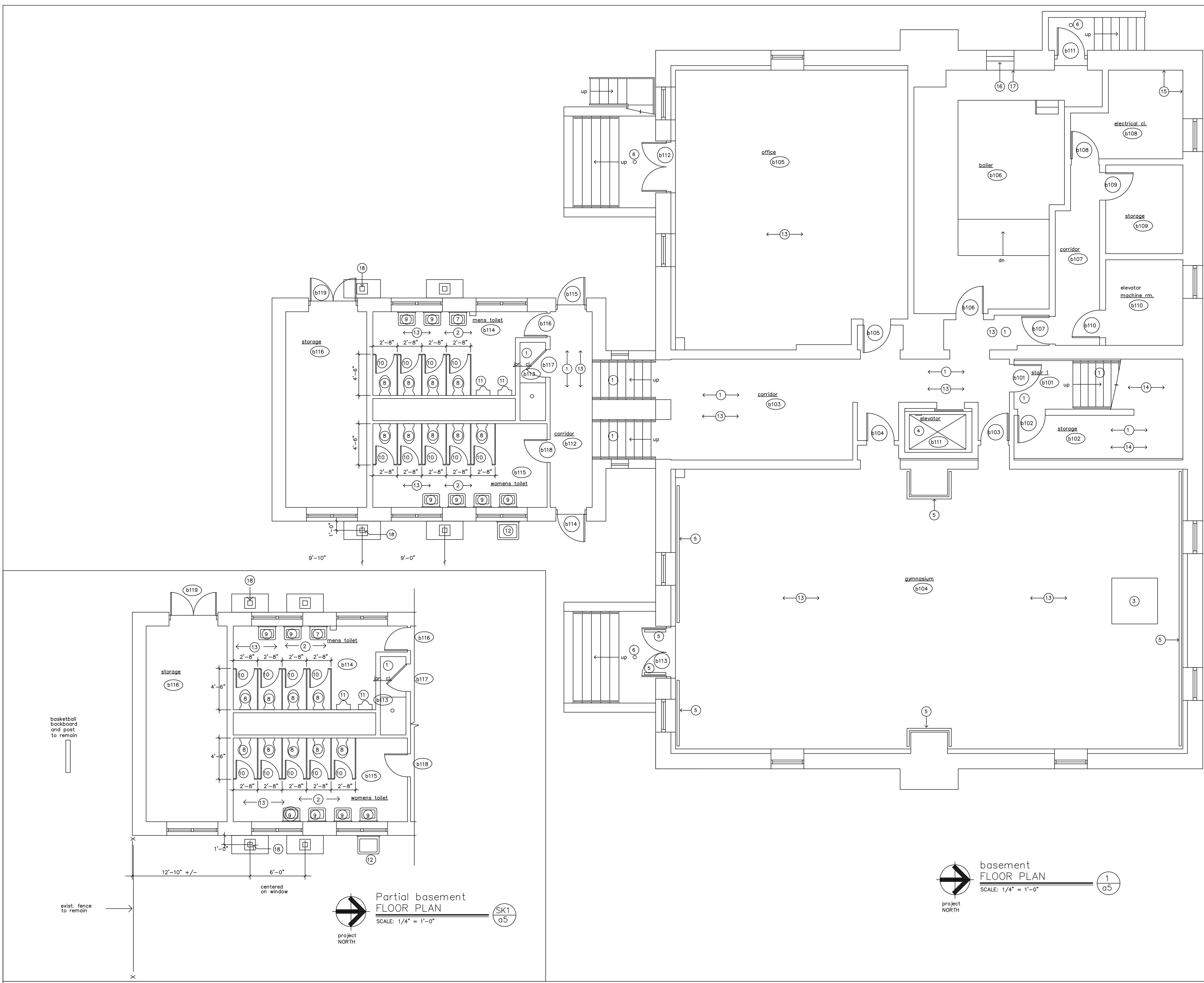
- EXISTING WALLS TO REMAIN
- EXISTING TO BE REMOVED
- NEW gypsum board/stud wall PARTITIONS
- (101) — DOOR NUMBER — SEE DOOR SCHED. ON DWG. a13
- (101) — ROOM NUMBER — SEE RM. FIN. SCHED. ON DWG. A13
- ① — DEMOLITION NOTES — SEE DEMO plans a4
- 1 — PARTITION TYPES — SEE sheet A14
- — WINDOW TYPES — SEE sheet A16
- ① — construction notes — SEE plans A5 through a8
- ⊕ — ELEVATION OR SECTION NUMBER — SHEET NUMBER
- ⊕ — PLAN, SECTION, DETAIL, OR ELEV. NUMBER — SHEET NUMBER

GENERAL NOTES

1. CONTRACTOR TO FIELD VERIFY ALL EXISTING CONDITIONS & DIMENSIONS
2. ALL DIMENSIONS ARE TO OUTSIDE FACE OF BRICK, CONCRETE BLOCK OR GYPSUM BOARD
3. ALL H.C. ACCESSIBLE ROOMS TO RECEIVE H.C. SIGNAGE AT DOOR — SEE DOOR SCHEDULE, sheet a12
4. FOR NEW WORK BEING DONE ON EXISTING DOORS & FRAMES — SEE DOOR SCHEDULE ON sheet a12
5. SEAL ALL DUCT & PIPE PENETRATIONS THROUGH RATED walls & ceilings WITH SAFING INSULATION — SEE code information sheet for LOCATIONS OF ALL FIRE RATED PARTITIONS. SEE SPECIFICATION for additional information
6. PATCH ALL EXISTING CONCRETE BLOCK WALLS AFFECTED BY NEW WORK
7. PATCH ALL EXISTING GYPSUM BOARD AND ACOUSTICAL CEILINGS AFFECTED BY NEW WORK
8. PATCH ALL EXISTING VCT FLOORING AND RUBBER BASE AFFECTED BY NEW WORK

CONSTRUCTION NOTES

1. provide finish floor including all stair treads and risers typical. refer to finish schedule a13 for flooring materials.
2. patch existing ceramic tile floor and base. contractor to include patching for 5% of floor area
3. sand and refinish wood floor patch to match adjacent wood floor.
4. bid alternate #4 — refurbish elevator. provide re-built elevator cab, controls, guiderails and accessories as indicated in specification and details on drawing a14.
5. provide gymnasium padding: at mid court floor to 8'-0" off, at end walls above radiator cover to 8'-0" off and on exit doors. see specification for additional information.
6. remove cover, clean out existing yard drain and snake to nearest manhole.
7. provide lavatory to match adjacent existing lavatories. see plumbing dwgs. for more information.
8. refurbish and reset existing water closet, see plumbing dwgs. for additional information.
9. refurbish and reset existing lavatory, see plumbing dwgs. for additional information.
10. provide toilet partitions in toilet rooms b114 & b115. see specification.
11. refurbish and reset existing urinal, see plumbing dwgs. for additional information.
12. bid alternate #2 — exterior playground sink. provide exterior lavatory and all associated piping. see plumbing dwgs. for more information. remove exist. bit. paving, trench, core drill wall, backfill and patch paving as required for piping connections.
13. provide acoustical tile ceiling, support grid, and sound batt insulation. see specification and detail a/09 for additional information.
14. provide fire rated gypsum ceiling see detail b/09.
15. repoint existing stone wall, coordinate around mechanical electrical and plumbing work.
16. chain link fencing with sloped chain fence top. min. height 6'-0". provide 4'-0" gate as indicated
17. 3'x3' conc. pad 4" thick for each of nine condensers remove exist. bit. conc. and prepare substrate as required for pads
18. bid alt. #3 — has 5x5x1" stl. col. typ. of 4 on 14" sq. conc. pier w/ 4 #6 vert., #3 ties @ 12" o.c. on 2'x4'x12" conc. ftg. w/ 5-#5 l&b short direction, 3-#5 l&b long direction. typ. of 4 coordinate ftg with existing san. piping see plan a6 for stl. framing above existing roof



basement FLOOR PLAN
SCALE: 1/4" = 1'-0"

Partial basement FLOOR PLAN
SCALE: 1/4" = 1'-0"

Project Title:
RENOVATIONS TO:
GLENBROOK COMMUNITY CENTER
35 CRESCENT STREET
STAMFORD, CONNECTICUT 06906

Revision:	Description:	Date:	Revised By:
AS BUILT		12/30/2005	

Drawing Title:
BASEMENT FLOOR PLAN

Date:
MAY 11, 2004

Scale:
1/4" = 1'-0"

Drawn By:

Project Number:

A5

SYMBOL LEGEND

- — — — — EXISTING WALLS TO REMAIN
- — — — — EXISTING TO BE REMOVED
- — — — — NEW gypsum board/stud wall PARTITIONS
- (101) — DOOR NUMBER — SEE DOOR SCHED. ON DWG. a13
- 101 — ROOM NUMBER — SEE RM. FIN. SCHED. ON DWG. A13
- (1) — DEMOLITION NOTES — SEE DEMO plans a4
- 1 — PARTITION TYPES — SEE sheet A14
- 1 — WINDOW TYPES — SEE sheet A16
- 1 — CONSTRUCTION NOTES — SEE plans A5 through a8
- ⊕ — ELEVATION OR SECTION NUMBER — SHEET NUMBER
- ⊕ — PLAN, SECTION, DETAIL, OR ELEV. NUMBER — SHEET NUMBER

GENERAL NOTES

1. CONTRACTOR TO FIELD VERIFY ALL EXISTING CONDITIONS & DIMENSIONS
2. ALL DIMENSIONS ARE TO OUTSIDE FACE OF BRICK, CONCRETE BLOCK OR GYPSUM BOARD
3. ALL H.C. ACCESSIBLE ROOMS TO RECEIVE H.C. SIGNAGE AT DOOR — SEE DOOR SCHEDULE, sheet a13
4. FOR NEW WORK BEING DONE ON EXISTING DOORS & FRAMES — SEE DOOR SCHEDULE ON DRAWING A13
5. SEAL ALL DUCT & PIPE PENETRATIONS THROUGH RATED WALLS WITH SAFING INSULATION — SEE DRAWING A2 FOR LOCATIONS OF ALL FIRE RATED PARTITIONS — SEE SPECS.
6. PATCH ALL EXISTING stone, CONCRETE BLOCK and gypsum bd. walls affected BY NEW WORK
7. PATCH ALL EXISTING GYPSUM BOARD AND ACOUSTICAL CEILINGS AFFECTED BY NEW WORK
8. PATCH ALL EXISTING VCT FLOORING AND RUBBER BASE AFFECTED BY NEW WORK
9. scrape loose mortar, patch and repaint all exterior stone masonry walls and at interior locations where indicated.
10. BASE BID: FOR EXISTING WINDOWS AT TYPE A1 DISCONNECT OPERATOR TO TOP OPERABLE WINDOW AND REMOVE GLAZING FOR MECH. LOUVERS (L2). CONTRACTOR TO REPLACE ALL EXISTING BROKEN SCREENS type a and a1 (ALLOW FOR 10% REPLACEMENT) and broken WINDOW PANES (ALLOW FOR 5% REPLACEMENT)

CONSTRUCTION NOTES

1. provide finish floor including all treads and risers typical. repair existing wood sub-floor where damaged or rotted. contractor to notify architect and owner of damaged sub-floor conditions prior to repairs. refer to finish schedule a13 for flooring materials.
2. remove existing lighting fixtures and wiring inside of existing ramp handrails. see elec. dwgs. for additional information.
3. provide mtl. guardrail infill panels, see detail a/a16
4. provide re-built elevator cab, controls, guiderails and accessories as indicated in specification.
5. provide low wall partition with wood cap, see partition type 5 sheet a14.
6. fixed, non-operable sash window with tempered glass. match appearance of adjacent operable windows.
7. power wash, scrape and paint wood columns and painted portico trim and ceiling above. see elevations sheet a15.
8. refurbish and reset existing water closet, see plumbing dwgs. for additional information.
9. refurbish and reset existing lavatory, see plumbing dwgs. for additional information.
10. diaper changing station with sink, see elevations on a14 see specification for additional information.
11. raise roof conduit up on standoffs
12. exhaust fan installed in sash of window see mech. dwgs. for additional information.
13. provide acoustic tile ceiling, support grid and seismic bracing, see reflected ceiling plan for more information.
14. bid alternate #5 — remove and replace all first, second floor and stair windows, type a, a1, c & d. see dwg a16 for more information

bid alternate #3 — steel framing with conc. foundations for condensers

STRUCTURAL STEEL

1. ALL WORK SHALL BE IN CONFORMANCE WITH THE AMERICAN INSTITUTE OF STEEL CONSTRUCTION MANUAL, 9TH EDITION, ALLOWABLE STRESS DESIGN.

2. MATERIAL SPECIFICATIONS:

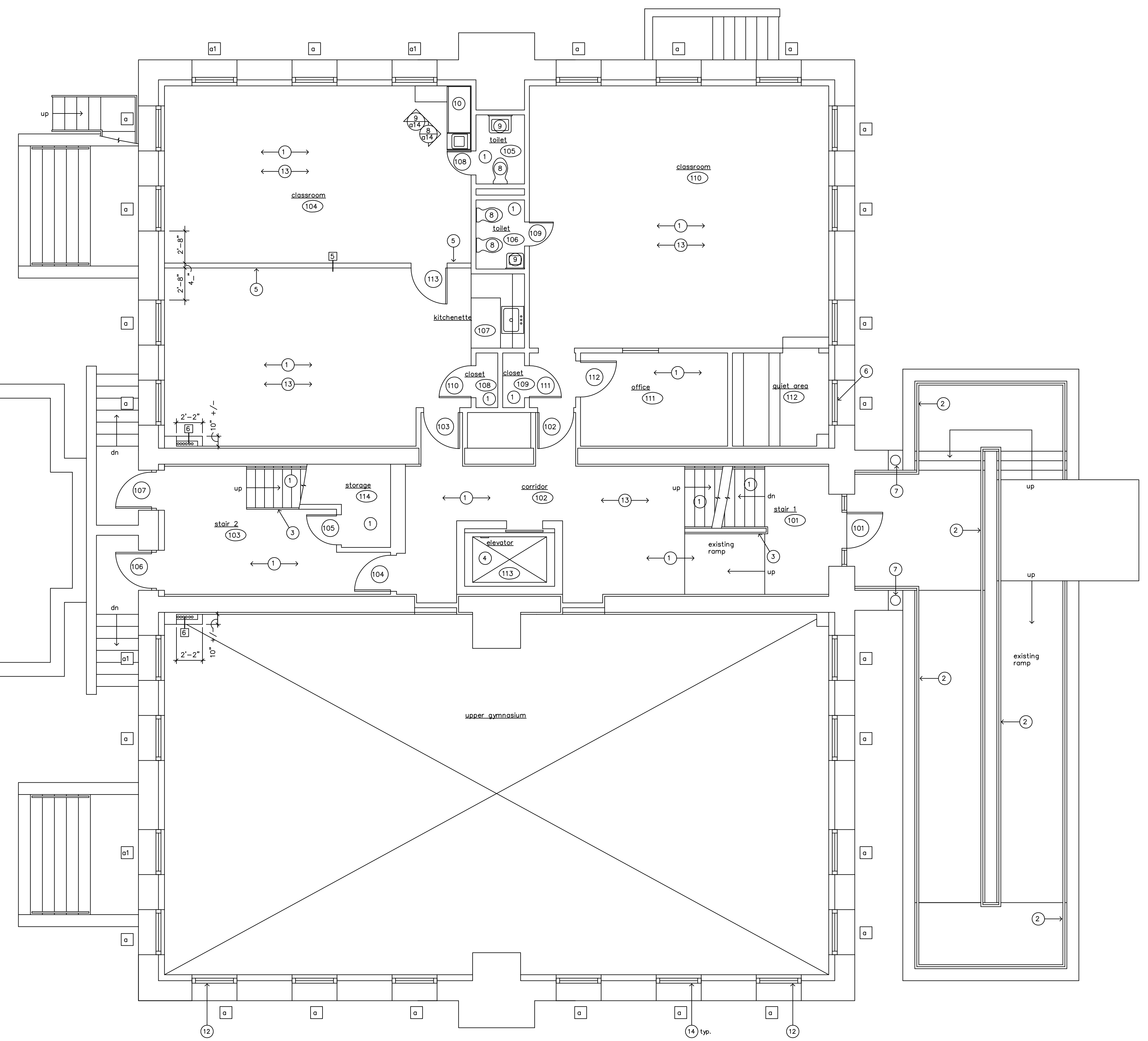
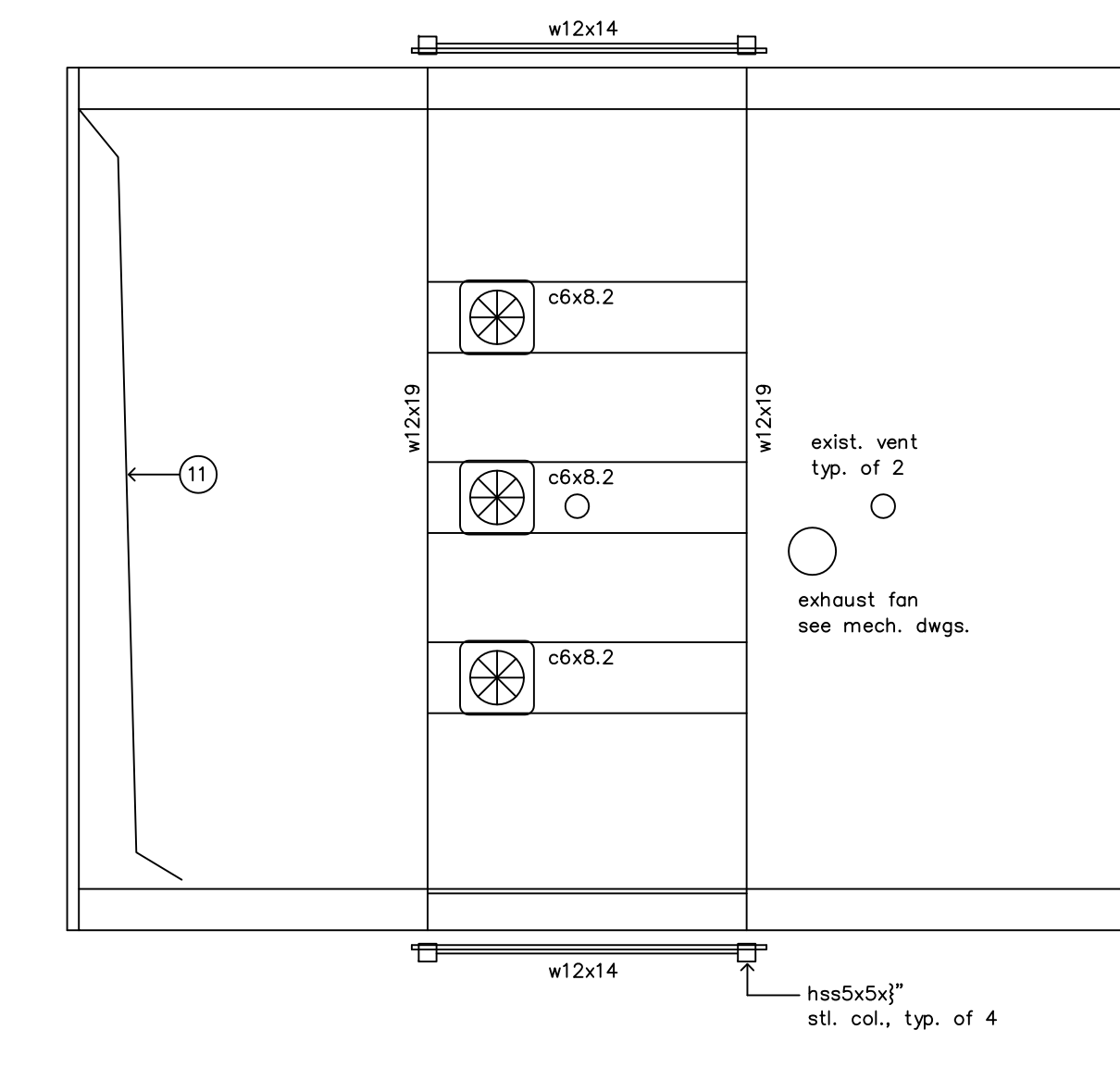
W, WT SHAPES	ASTM A992 (50 KSI)
S, M, HP, C, MC SHAPES	ASTM A572, GRADE 50
SQUARE & RECTANGULAR HSS (TUBE)	ASTM A500, GRADE B (50 KSI)
PIPE COLUMNS	ASTM A53
L SHAPES, MISC. PLATES & BARS	ASTM A36
BOLTS	ASTM A325
ANCHOR RODS	ASTM F1554, GRADE 55 (OR HILTI HIT HY-150)

3. ALL ROUND HOLLOW STRUCTURAL SECTIONS SHALL CONFORM TO ASTM A500, GRADE C.

4. ALL WELDING SHALL CONFORM TO AMERICAN WELDING SOCIETY, D1.1, LATEST EDITION AND SHALL BE E-70xx ELECTRODES. ALL WELDING SHALL BE PERFORMED BY AN AWS CERTIFIED WELDER WITH CURRENT CERTIFICATION.

5. STEEL SHOP DRAWINGS SHALL BE SUBMITTED FOR REVIEW PRIOR TO CONSTRUCTION.

6. ALL STRUCTURAL STEEL SHALL BE THOROUGHLY CLEANED (SSPC-SP3) AND RECEIVE ONE COAT SHOP APPLIED PRIMER.



Project Title: RENOVATIONS TO:
GLENBROOK COMMUNITY CENTER
 35 CRESCENT STREET
 STAMFORD, CONNECTICUT 06906

Revision	Description	Date	Revised By
AS BUILT		12/30/2005	

Drawing Title: **FIRST FLOOR PLAN**

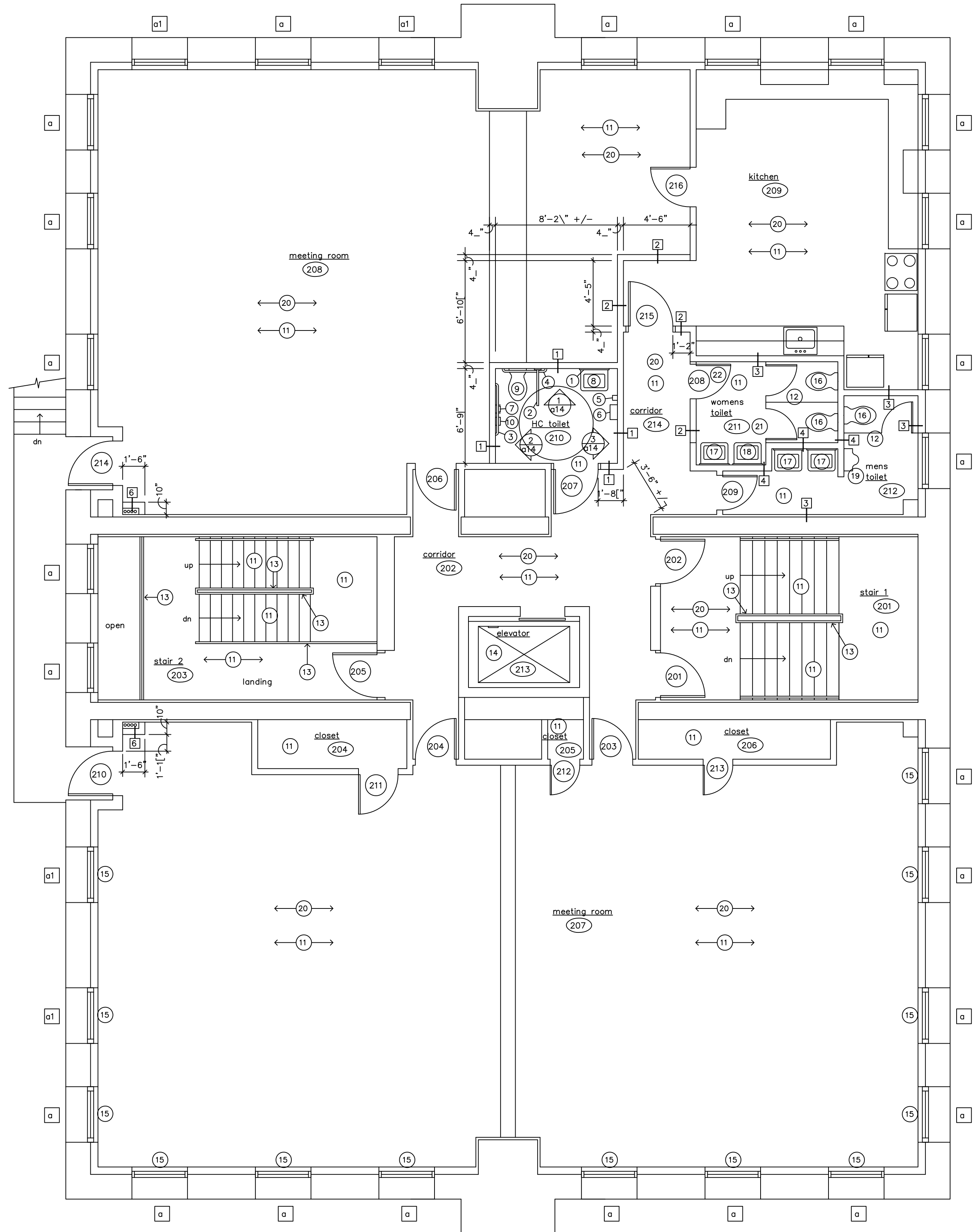
Date: MAY 25, 2004

Scale: 1/4" = 1'-0"

Drawn By:

Project Number:

A6



second FLOOR PLAN
 SCALE: 1/4" = 1'-0"
 project NORTH

SYMBOL LEGEND

- — — — — EXISTING WALLS TO REMAIN
- — — — — EXISTING TO BE REMOVED
- — — — — NEW gypsum board/stud wall PARTITIONS
- (101) — DOOR NUMBER — SEE DOOR SCHED. ON DWG. a13
- (101) — ROOM NUMBER — SEE RM. FIN. SCHED. ON DWG. A13
- (1) — DEMOLITION NOTES — SEE DEMO plans a4
- [1] — PARTITION TYPES — SEE sheet A14
- [1] — WINDOW TYPES — SEE sheet A16
- (1) — CONSTRUCTION NOTES — SEE plans A5 through a8
- ⊕ — ELEVATION OR SECTION NUMBER — SHEET NUMBER
- ⊕ — PLAN, SECTION, DETAIL, OR ELEV. NUMBER — SHEET NUMBER

GENERAL NOTES

1. CONTRACTOR TO FIELD VERIFY ALL EXISTING CONDITIONS & DIMENSIONS
2. ALL DIMENSIONS ARE TO OUTSIDE FACE OF BRICK, CONCRETE BLOCK OR GYPSUM BOARD
3. ALL H.C. ACCESSIBLE ROOMS TO RECEIVE H.C. SIGNAGE AT DOOR — SEE DOOR SCHEDULE, sheet A13
4. FOR NEW WORK BEING DONE ON EXISTING DOORS & FRAMES — SEE DOOR SCHEDULE, sheet A13
5. SEAL ALL DUCT & PIPE PENETRATIONS THROUGH RATED WALLS WITH SAFING INSULATION — SEE code information sheet for LOCATIONS OF ALL FIRE RATED PARTITIONS — SEE SPECS.
6. PATCH ALL EXISTING CONCRETE BLOCK WALLS AFFECTED BY NEW WORK
7. PATCH ALL EXISTING GYPSUM BOARD AND ACOUSTICAL CEILING AFFECTED BY NEW WORK
8. PATCH ALL EXISTING VCT FLOORING AND RUBBER BASE AFFECTED BY NEW WORK
9. BASE BID: FOR EXISTING WINDOWS AT TYPE A1 DISCONNECT OPERATOR TO TOP OPERABLE WINDOW AND REMOVE GLAZING FOR MECH. LOUVERS (L2). CONTRACTOR TO REPLACE ALL EXISTING BROKEN SCREENS (ALLOW FOR 10% REPLACEMENT) AND BROKEN WINDOW PANES (ALLOW FOR 5% REPLACEMENT)

hc toilet EQUIPMENT LEGEND (1)

1. 2'x3' MIRROR — MOUNTED 3'-4" A.F.F. TO BOTTOM OF MIRROR
2. 30" SWING AWAY GRAB BAR — MTD 36" ABOVE FINISH FLOOR
3. 42" GRAB BAR — MOUNTED 36" ABOVE FINISH FLOOR
4. 36" GRAB BAR — MOUNTED 33" ABOVE FINISH FLOOR
5. H.C. SOAP DISPENSER — SURFACE MOUNTED provided by owner
6. H.C. PAPER TOWEL DISPENSER — SURFACE MTD provided by owner
7. TOILET PAPER DISPENSER — SURFACE MTD — MTD. 1'-7" A.F.F. provided by owner
8. WALL MOUNTED H.C. LAVATORY — MTD. 2'-10" ABOVE FIN. FL.
9. H.C. WATER CLOSET — MTD. 1'-6" ABOVE FINISHED FLOOR
10. wall mounted sanitary napkin disposal

STANDARD MOUNTING HEIGHTS SHALL CONFORM TO THE MOST RESTRICTIVE CODE FOR ALL TOILET ACCESSORIES

CONSTRUCTION NOTES (1)

11. provide finish floor including all treads and risers typical. repair existing wood sub-floor where damaged or rotted. contractor to notify architect and owner of damaged sub-floor (underlayment) conditions prior to repairs. see specification for floor repair allowance. refer to finish schedule a13 for flooring materials.
12. scrape and paint existing toilet partitions. remove and remount partitions to walls.
13. provide mt. guardrail infill panels, see detail x/a14
14. provide re-built elevator cab, controls, guiderails and accessories as indicated in specification.
15. bid alternate #6 (deduct) — thermal drapes. provide light blocking thermal drapery and supports. for (13) type a and a1 windows in meeting rm. 207 see specifications for additional information.
16. refurbish and reset existing water closet, see plumbing dwgs. for additional information.
17. refurbish and reset existing lavatory, see plumbing dwgs. for additional information.
18. provide new lavatory to match adjacent, see plumbing dwgs. for additional information.
19. refurbish and reset existing urinal, see plumbing dwgs. provide fiber reinforced plastic panel (3'-0" wide x 4'-0" tall) over gypsum surrounding urinal.
20. provide acoustical tile ceiling, support grid, and sound batt insulation above ceiling in all existing joist bays. see spec. and reflected ceiling plans for additional information.
21. remove exist. 4'x4' plywood floor patch in toilet 211 and provide new patch flush with adjacent floor under fin. fr. For additional second floor underlayment patching see allowance in spec.
22. reLOCATE exist. TOILET ROOM DOOR AND FRAME TO NEW LOCATION SHOWN ON PLAN.

Project Title: RENOVATIONS TO:
GLENBROOK COMMUNITY CENTER
 35 CRESCENT STREET
 STAMFORD, CONNECTICUT 06906

Revision:	Description:	Date:	Revised By:
AS BUILT		12/30/2005	

Drawing Title: **SECOND FLOOR PLAN**

Date: MAY 25, 2004
 Scale: 1/4" = 1'-0"
 Drawn By:
 Project Number:

A7

SYMBOL LEGEND

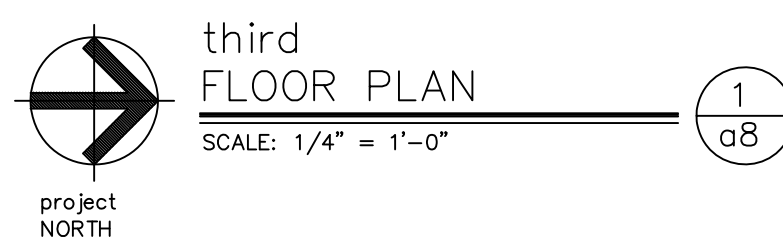
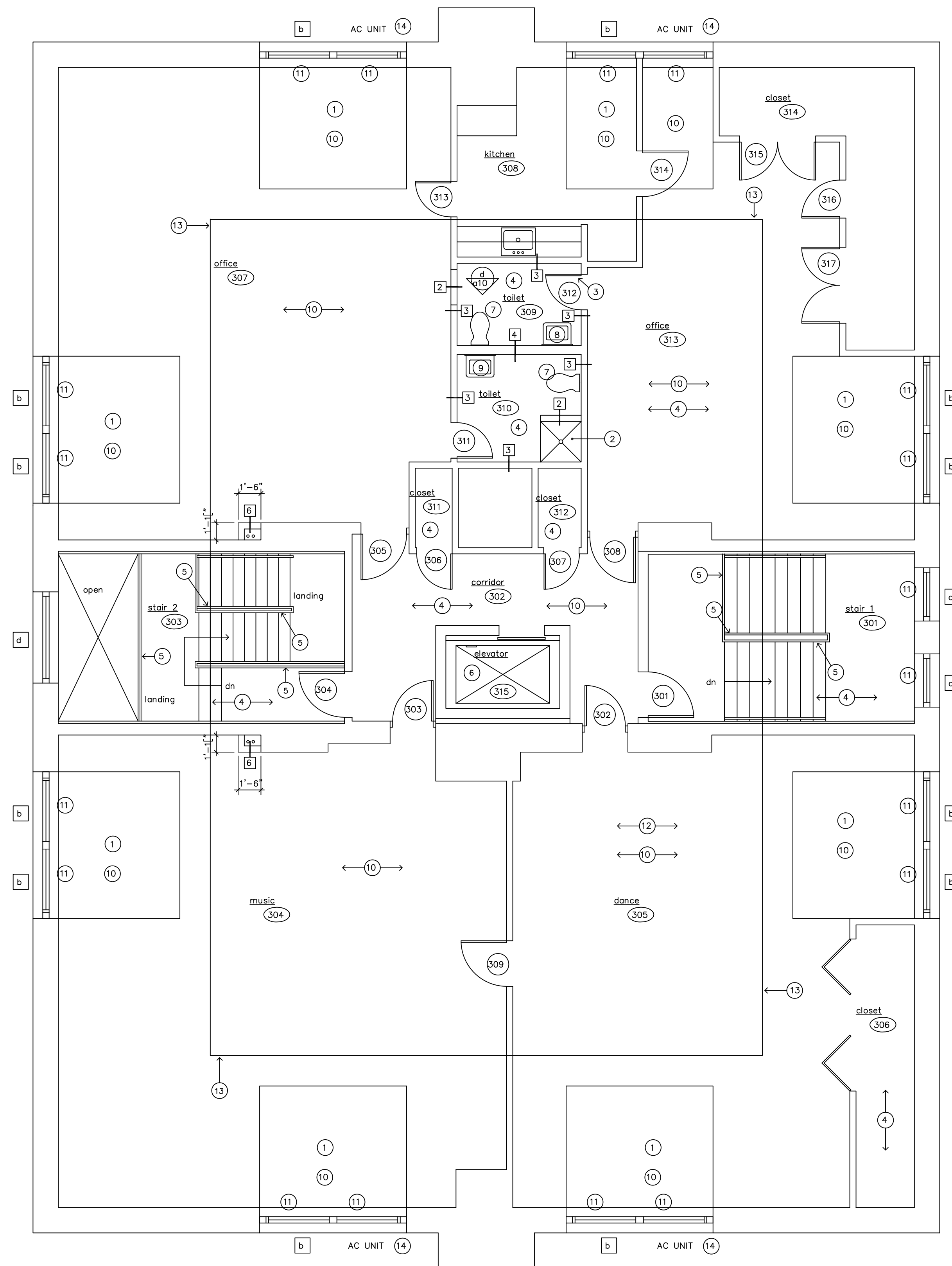
- ===== - EXISTING WALLS TO REMAIN
- ===== - EXISTING TO BE REMOVED
- ===== - NEW gypsum board/stud wall PARTITIONS
- (101) - DOOR NUMBER - SEE DOOR SCHED. ON DWG. a13
- (101) - ROOM NUMBER - SEE RM. FIN. SCHED. ON DWG. A13
- (1) - DEMOLITION NOTES - SEE DEMO plans a4
- [1] - PARTITION TYPES - SEE sheet A14
- [1] - window TYPES - SEE sheet A16
- (1) - construction notes - SEE plans A5 through a8
- ⊕ - ELEVATION OR SECTION NUMBER - SHEET NUMBER
- ⊕ - PLAN, SECTION, DETAIL, OR ELEV. NUMBER - SHEET NUMBER

GENERAL NOTES

1. CONTRACTOR TO FIELD VERIFY ALL EXISTING CONDITIONS & DIMENSIONS
2. ALL DIMENSIONS ARE TO OUTSIDE FACE OF BRICK, CONCRETE BLOCK OR GYPSUM BOARD
3. ALL H.C. ACCESSIBLE ROOMS TO RECEIVE H.C. SIGNAGE AT DOOR - SEE DOOR SCHEDULE, sheet a12
4. FOR NEW WORK BEING DONE ON EXISTING DOORS & FRAMES - SEE DOOR SCHEDULE, sheet a12
5. SEAL ALL DUCT & PIPE PENETRATIONS THROUGH RATED WALLS WITH SAFFIN INSULATION - SEE code information sheet for LOCATIONS OF ALL FIRE RATED PARTITIONS - SEE SPECS.
6. PATCH ALL EXISTING CONCRETE BLOCK WALLS AFFECTED BY NEW WORK
7. PATCH ALL EXISTING GYPSUM BOARD AND ACOUSTICAL CEILINGS AFFECTED BY NEW WORK
8. PATCH ALL EXISTING VCT FLOORING AND RUBBER BASE AFFECTED BY NEW WORK

CONSTRUCTION NOTES

1. re-build third floor dormer assembly, which includes but is not limited to, replacing exterior siding, trim, asphalt shingle roofing, flashings, windows, damaged or rotted framing, roof deck, insulation, vapor barrier and all interior finishes. Typical for all 8 dormers. see allowance for dormer framing repairs.
2. provide 32"x32" fiberglass shower unit
3. re-use exist. toilet door. relocate to north wall
4. provide finish floor including all treads and risers typical. repair existing wood sub-floor where damaged or rotted. contractor to notify architect and owner of damaged sub-floor conditions prior to repairs. refer to finish schedule a13 for flooring materials.
5. provide mtl. guardrail infill panels, see detail x/a14
6. provide re-built elevator cab, controls, guiderails and accessories as indicated in specification.
7. relocate existing water closet, see plumbing dwgs. for additional information.
8. relocate existing lavatory, see plumbing dwgs. for additional information.
9. refurbish and reset existing lavatory, see plumbing dwgs. for additional information.
10. provide acoustical tile ceiling, support grid, see spec. and reflected ceiling plans for additional information.
11. replacement windows, typical for all third floor windows (BASE BID) see specification and window sheet a16 FOR ADDITIONAL information.
12. provide finish floor OVER ACOUSTIC FLOOR MAT ASSEMBLY IN DANCE ROOM 305. SEE SPEC. AND DETAIL 7/A14. PROVIDE 1:8 SLOPE AT DOORS TO MATCH HEIGHT OF ADJACENT FIN. FLRS. repair existing wood sub-floor where damaged or rotted. contractor to notify architect and owner of damaged sub-floor conditions prior to repairs. refer to finish schedule a13 for flooring materials.
13. attic space (not a structured attic floor platform) indicated on plan. contractor to provide batt insulation and rafter vent in ea. sloped rafter bay of exist. hip roof for entire attic space. see specification for additional information.
14. PROVIDE BLOCKING, INTERIOR/EXTERIOR FINISHES FOR WINDOW INFILL, NEW OPENING AND INSULATED REMOVABLE COVERS FOR (4) WINDOW AC UNITS IN PLACE OF (4) TYPE "B" WINDOWS. AC UNITS PROVIDED BY OWNER. COORDINATE SIZE OF OPENINGS WITH OWNER.

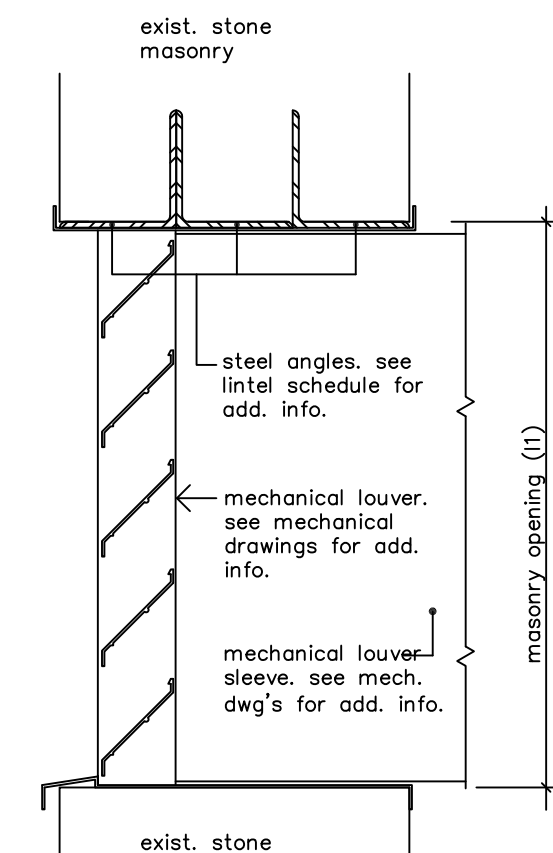


Project Title:
 RENOVATIONS TO:
GLENBROOK COMMUNITY CENTER
 35 CRESCENT STREET
 STAMFORD, CONNECTICUT 06906

Revision:	Description:	Date:	Revised By:
AS BUILT		12/30/2005	

Drawing Title:
THIRD FLOOR PLAN

Date:
 MAY 25, 2004
 Scale:
 1/4" = 1'-0"
 Drawn By:
 Project Number:
A8



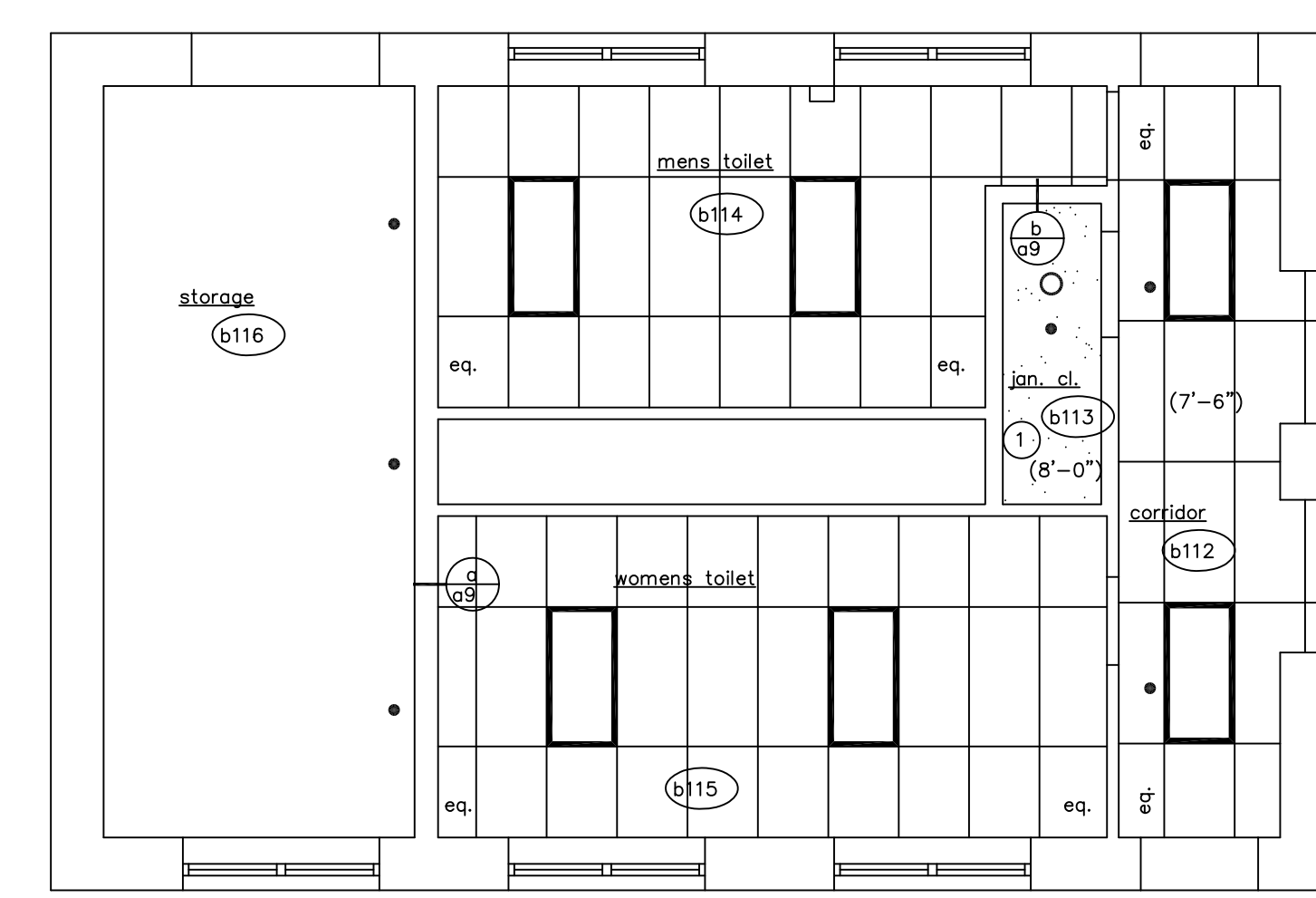
louver schedule	
11	2'-0" w X 2'-4" t m. o.
12	3'-9" w X 1'-6" opening

1. coord. louver sizes and locations w/ mech. dwgs.
2. coord. louver L2 size w/ window type a1

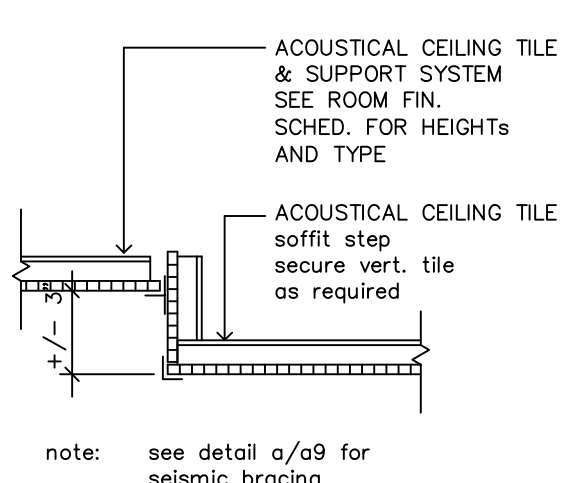
lintel schedule	
L7X7X1/2" FOR EA. 7" OF MASONRY	

1. 8" BEARING AT EA. END PROVIDE TEMP. SHORING AS REQ'D.
2. galv. angles at all exterior locations

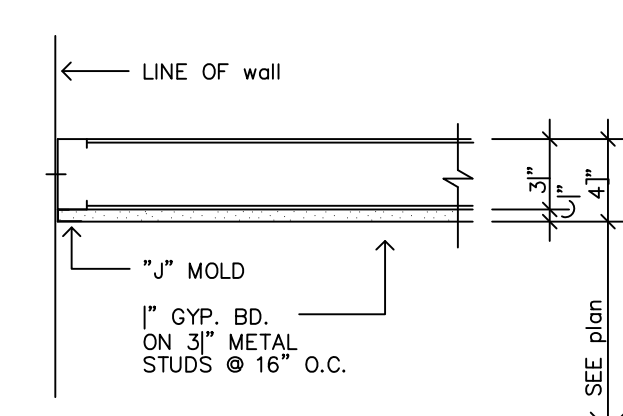
louver DETAIL
SCALE: 1 1/2" = 1'-0" J
A9



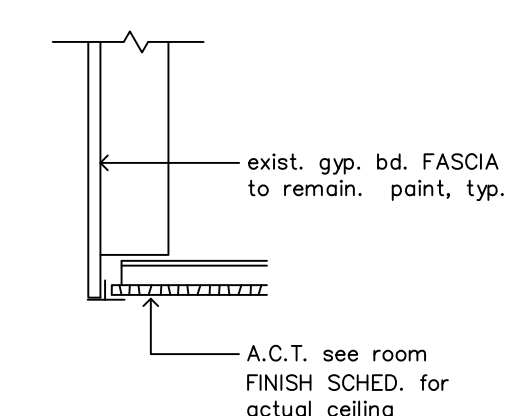
basement reflected CEILING PLAN
SCALE: 1/4" = 1'-0" 1
A9



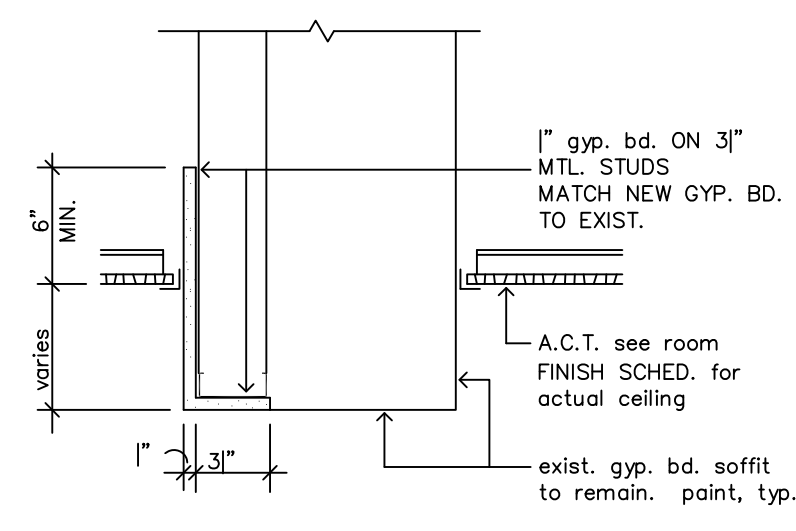
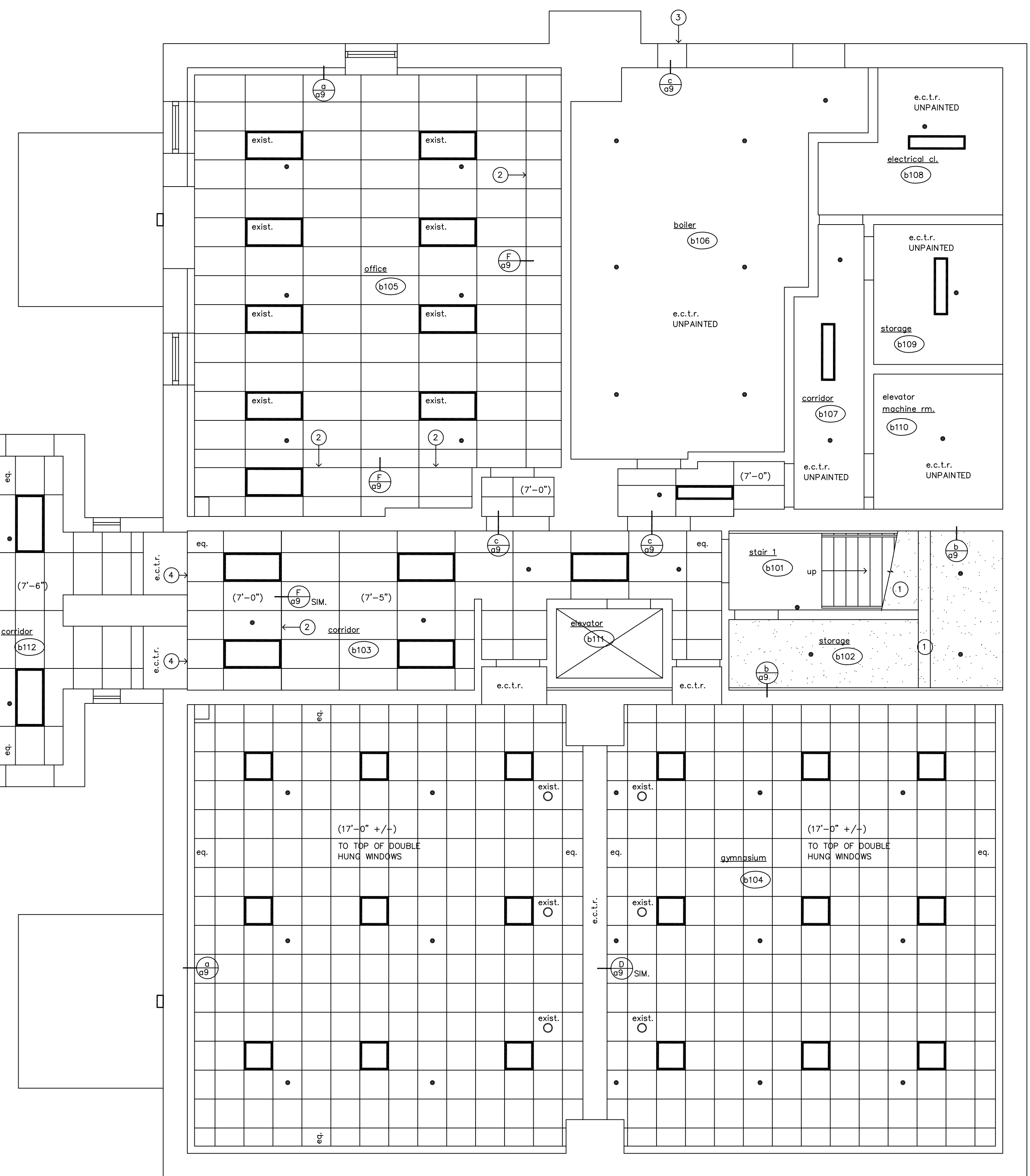
CEILING DETAIL
SCALE: 1 1/2" = 1'-0" F
A9



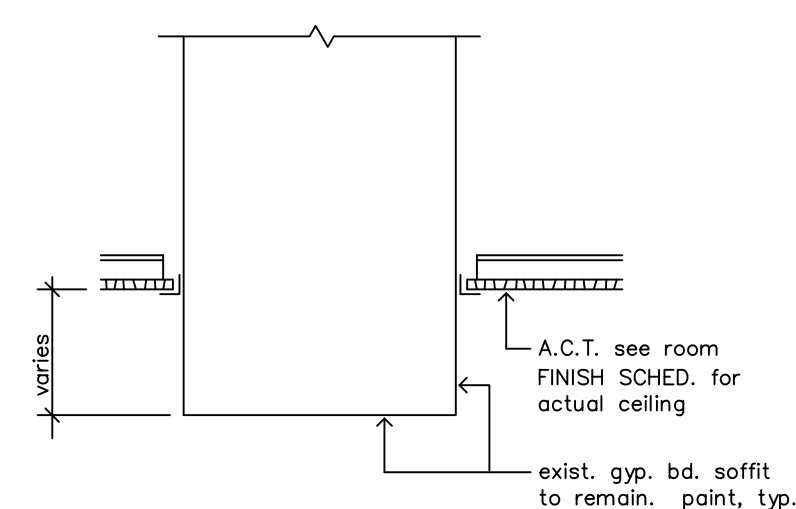
CEILING DETAIL
SCALE: 1 1/2" = 1'-0" G
A9



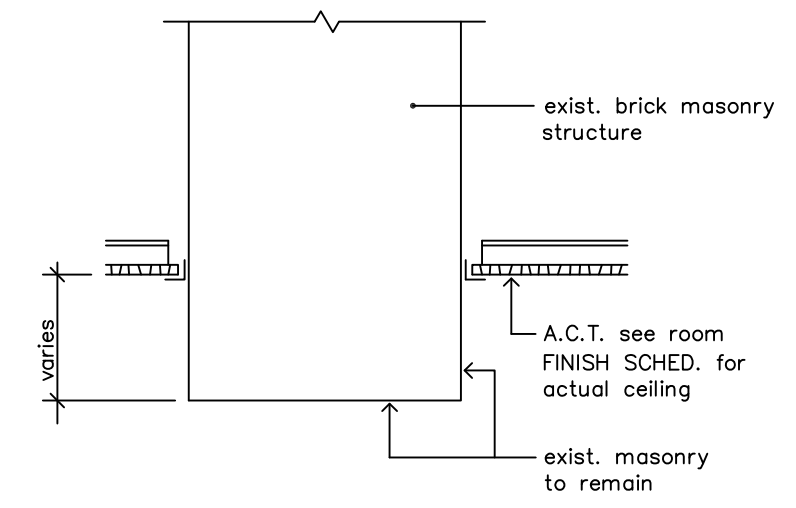
CEILING DETAIL
SCALE: 1 1/2" = 1'-0" H
A8



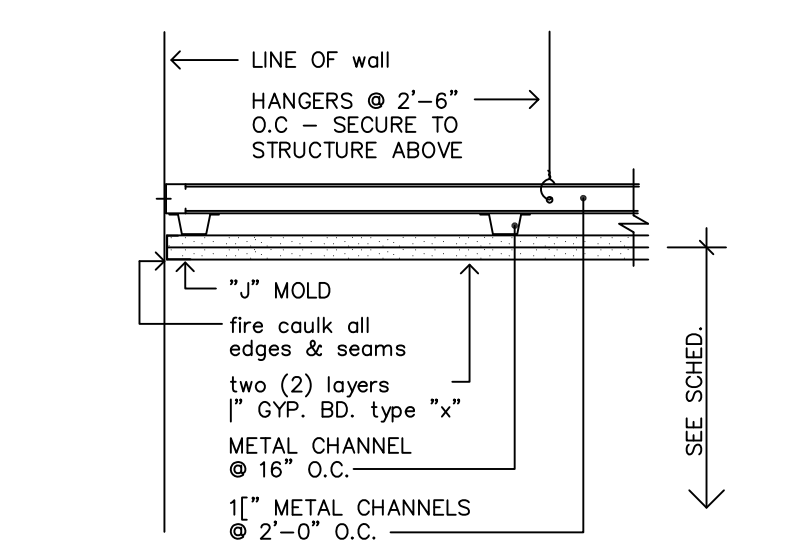
SOFFIT DETAIL
SCALE: 1 1/2" = 1'-0" E
q9



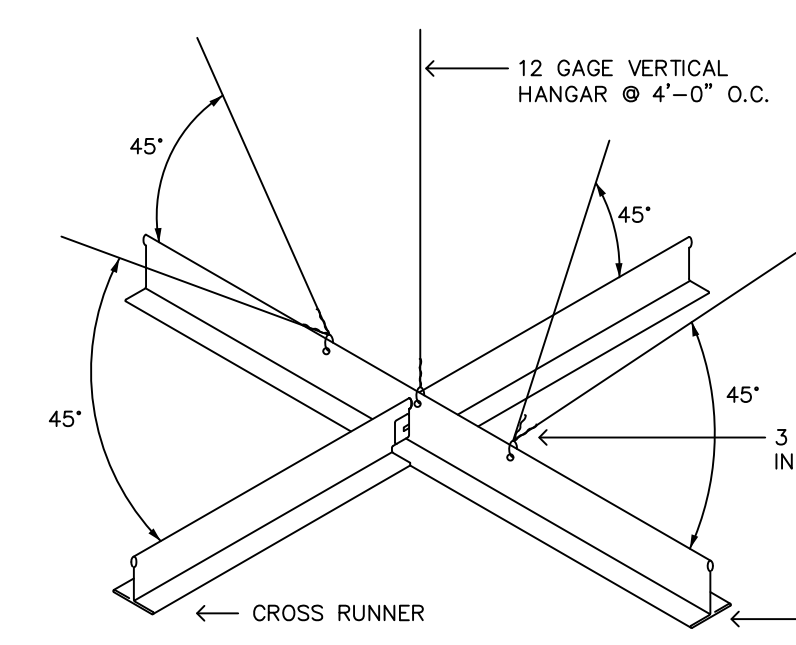
SOFFIT DETAIL
SCALE: 1 1/2" = 1'-0" d
q9



SOFFIT DETAIL
SCALE: 1 1/2" = 1'-0" c
q9



CEILING DETAIL
SCALE: 1 1/2" = 1'-0"
1 hour rated B
A9



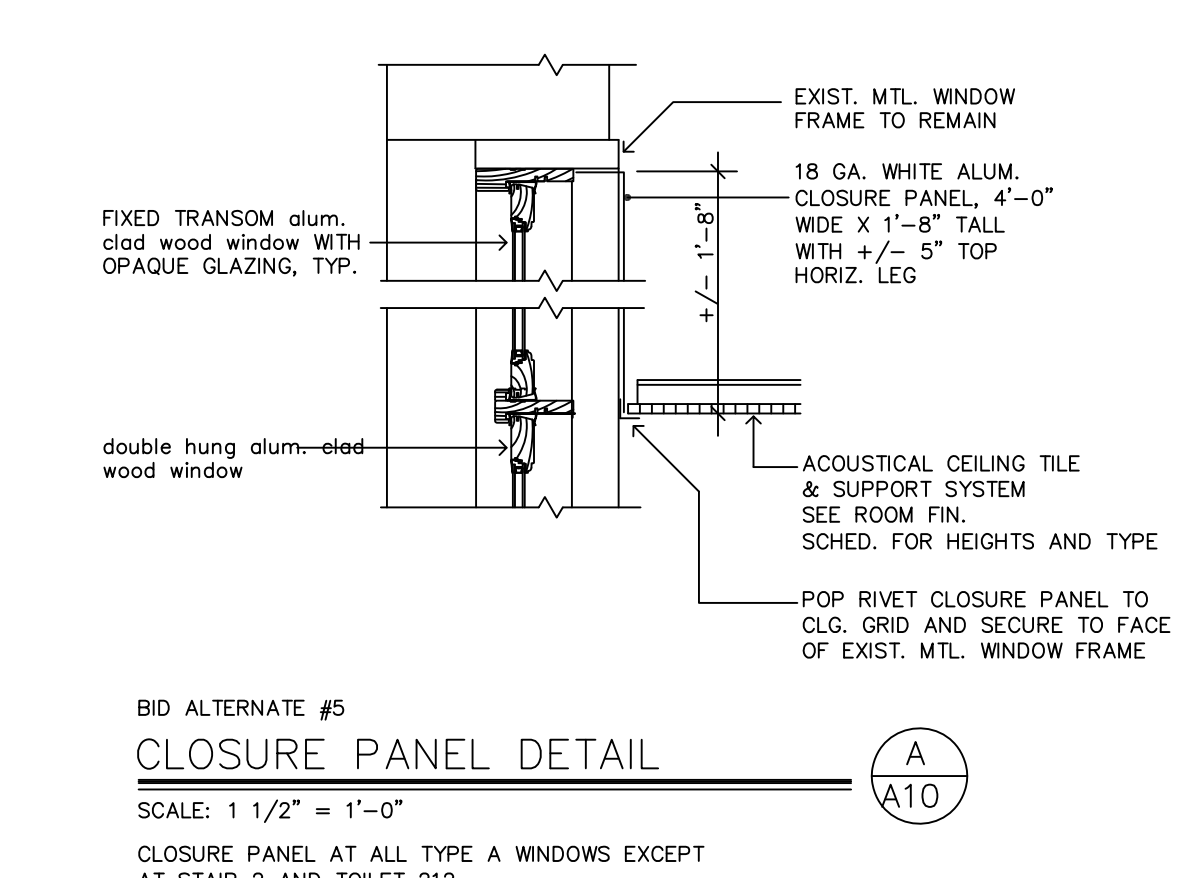
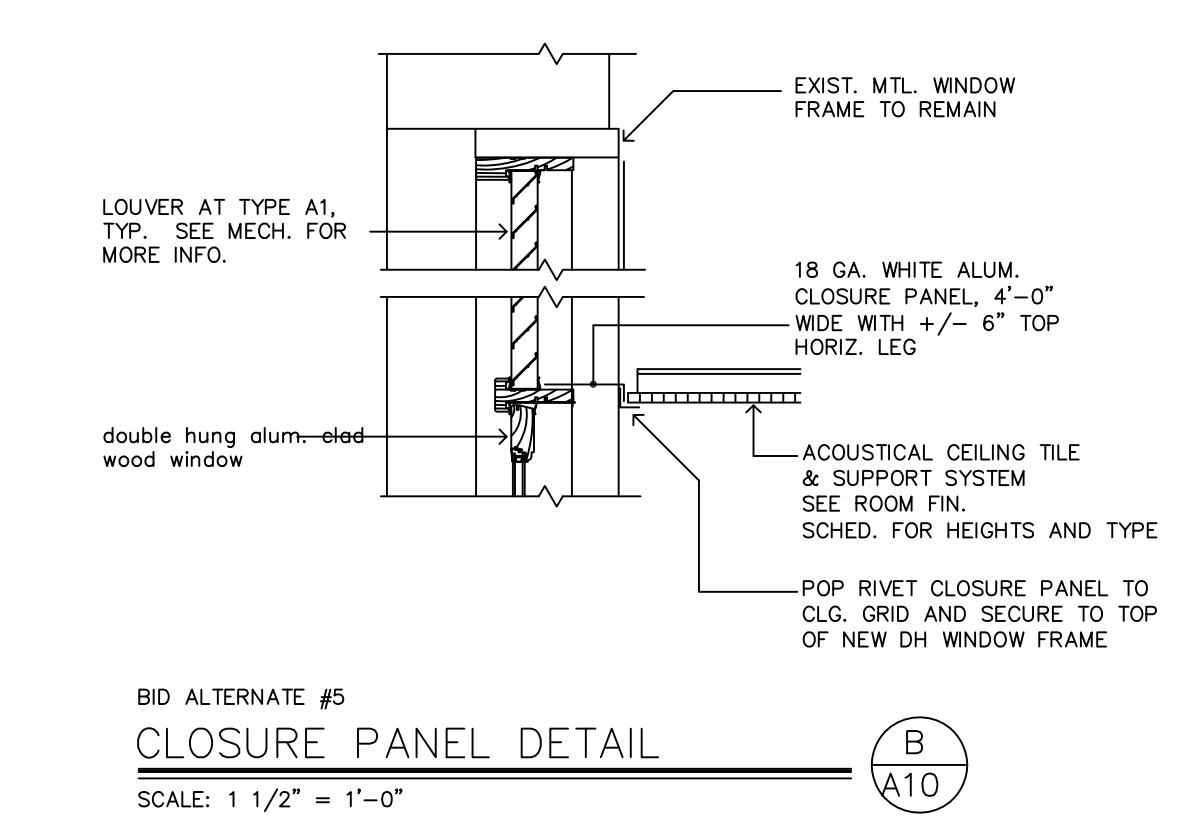
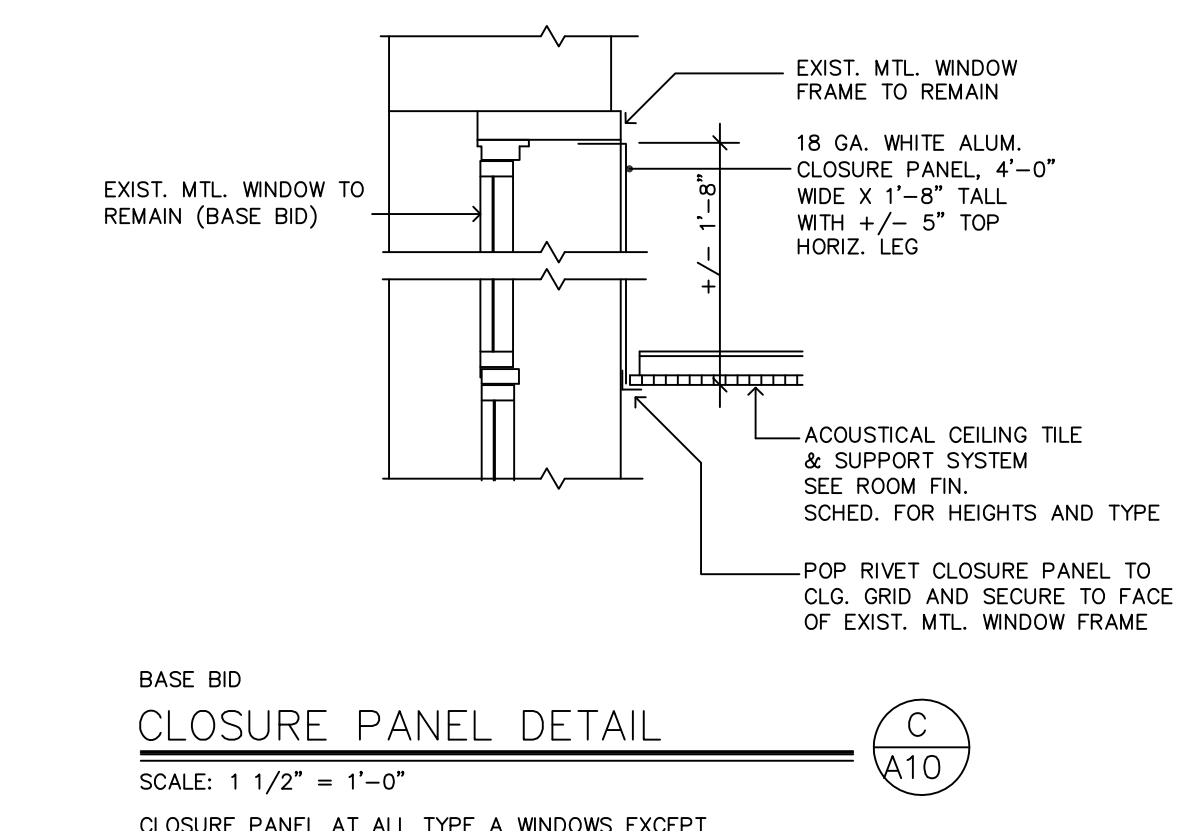
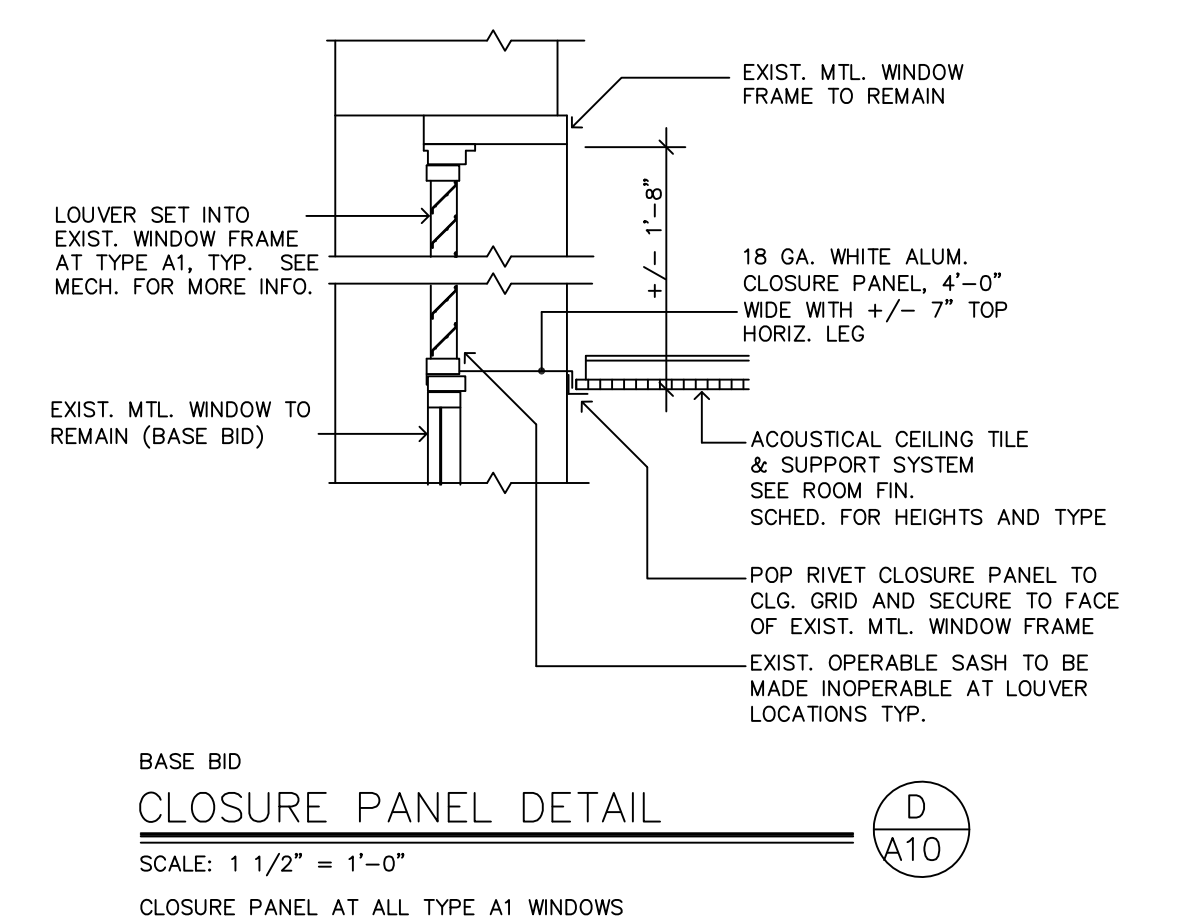
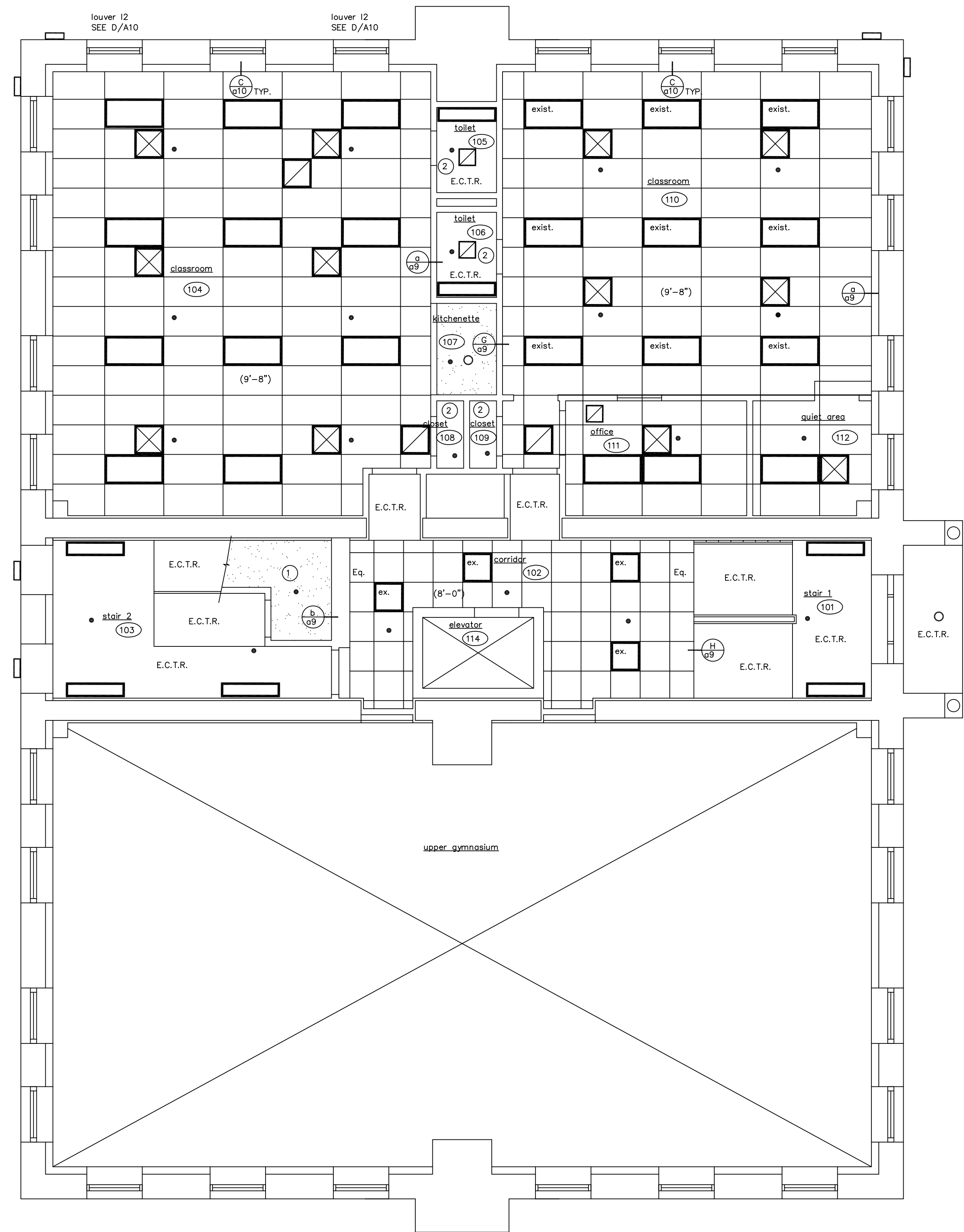
SEISMIC BRACING DETAIL
SCALE: NONE A
A9

SYMBOL LEGEND

- 2'x4' ACOUSTICAL CEILING TILE WITH SUPPORT SYSTEM SEE DETAIL A/A9
- 2'x2' ACOUSTICAL CEILING TILE WITH SUPPORT SYSTEM SEE DETAIL A/A9
- EXISTING 2'x2' ACOUSTICAL CEILING TILE WITH SUPPORT SYSTEM TO REMAIN
- PAINTED GYPSUM BOARD
- 2' x 2' SUPPLY GRILLE SEE MECHANICAL DWGS.
- 2' x 2' RETURN GRILLE SEE MECHANICAL DWGS.
- LIGHT FIXTURE - SEE ELECTRICAL DWGS.
- LIGHT FIXTURE - SEE ELECTRICAL DWGS.
- LIGHT FIXTURE - SEE ELECTRICAL DWGS.
- LIGHT FIXTURE - SEE ELECTRICAL DWGS.
- LIGHT FIXTURE - SEE ELECTRICAL DWGS.
- SPRINKLER HEAD SEE FIRE PROTECTION DWGS.
- E.S. - EXPOSED STRUCTURE
- Eq. - Equal spacing, ceiling grid centered in room
- E.C.T.R. - EXISTING CEILING TO REMAIN paint all EXIST. and new gyp. bd. CEILINGs, typ. UNLESS OTHERWISE NOTED
- (XXX) - NEW CEILING HEIGHT
- SHEET NUMBER
- PLAN, SECTION, DETAIL, OR ELEV. NUMBER

- GENERAL NOTES**
1. FOR ADDITIONAL LIGHTING INFORMATION - SEE ELECTRICAL DRAWINGS
 2. FOR ADDITIONAL MECHANICAL INFORMATION - SEE MECHANICAL DRAWINGS
 3. FOR SEISMIC BRACING AT ALL A.C.T. - SEE DETAIL A/A9
 4. FOR CEILING HEIGHTS - SEE ROOM FIN. SCHEDULE

- CONSTRUCTION NOTES**
1. provide fire rated gypsum enclosure around exposed and projecting steel and wood stair structure at ceiling. CONTINUE GYP. BD AT UNDERSIDE OF STAIR STRINGER WITH MTL. STUD FRAMING AS REQUIRED.
 2. provide an acoustical ceiling tile +/- 3" tall fascia at the same location as the existing to be removed. see detail F/a9
 3. provide OPENING IN EXIST. STONE MASONRY EXTERIOR WALL. SEE DETAIL J/A9 FOR LOUVER AND LINTEL INFORMATION.
 4. provide VERTICAL ACOUSTICAL TILES AND SUPPORT GRID FASCIA TO EXIST. GYP. BD. SOFFIT. SEE F/A9 SIM.



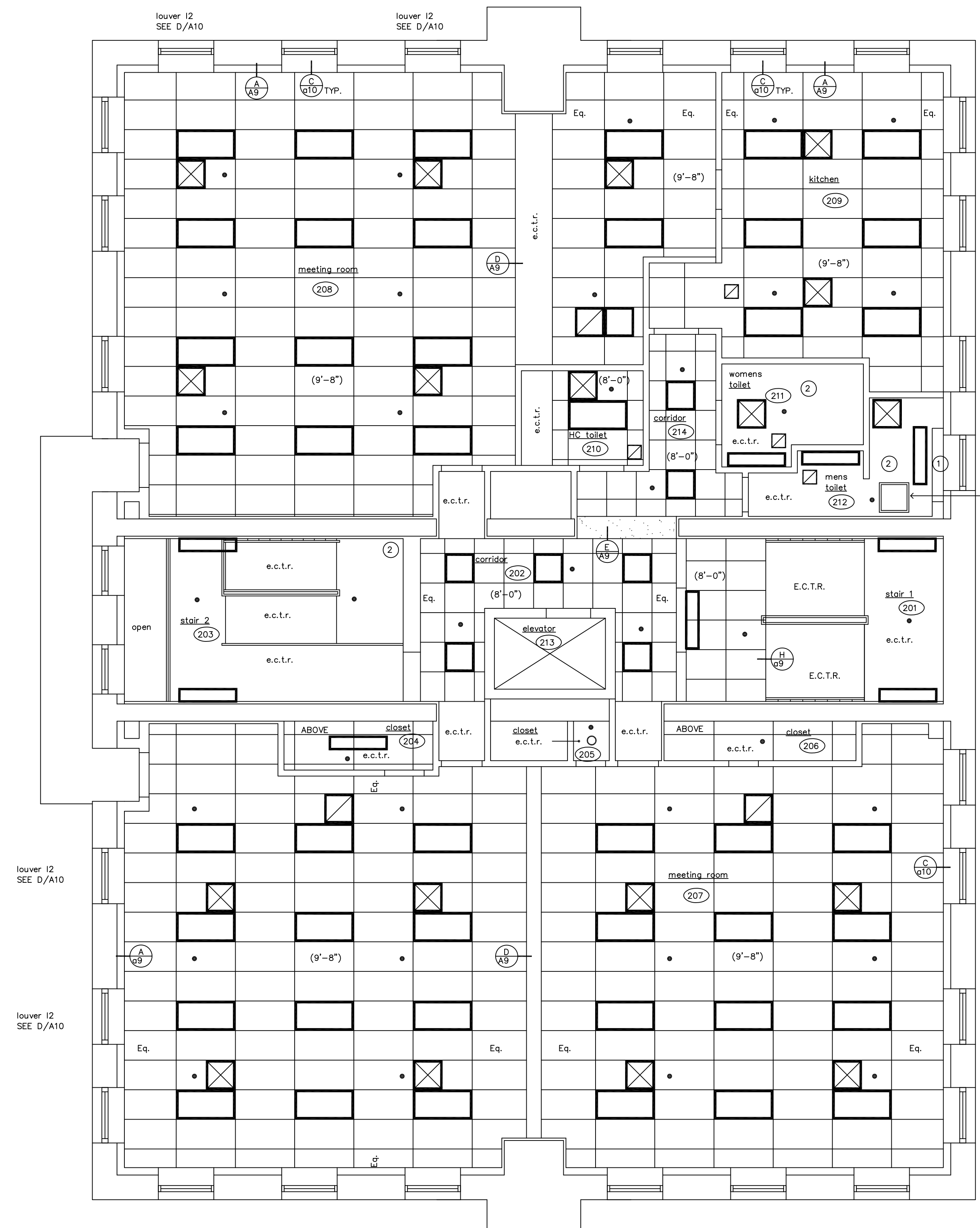
SYMBOL LEGEND

- 2'x4' ACOUSTICAL CEILING TILE WITH SUPPORT SYSTEM SEE DETAIL A/A9
- 2'x2' ACOUSTICAL CEILING TILE WITH SUPPORT SYSTEM SEE DETAIL A/A9
- EXISTING 2'x2' ACOUSTICAL CEILING TILE WITH SUPPORT SYSTEM TO REMAIN
- PAINTED GYPSUM BOARD
- 2' X 2' SUPPLY GRILLE SEE MECHANICAL DWGS.
- 2' X 2' RETURN GRILLE SEE MECHANICAL DWGS.
- LIGHT FIXTURE - SEE ELECTRICAL DWGS.
- LIGHT FIXTURE - SEE ELECTRICAL DWGS.
- LIGHT FIXTURE - SEE ELECTRICAL DWGS.
- LIGHT FIXTURE - SEE ELECTRICAL DWGS.
- LIGHT FIXTURE - SEE ELECTRICAL DWGS.
- LIGHT FIXTURE - SEE ELECTRICAL DWGS.
- SPRINKLER HEAD SEE FIRE PROTECTION DWGS.
- EXPOSED STRUCTURE
- Equal spacing, ceiling grid centered in room
- EXISTING CEILING TO REMAIN point on EXIST. and new gyp. bd. CEILINGs, typ.
- (XXX) - NEW CEILING HEIGHT
- ELEVATION OR SECTION NUMBER - SHEET NUMBER
- PLAN, SECTION, DETAIL, OR ELEV. NUMBER - SHEET NUMBER

- GENERAL NOTES**
- FOR ADDITIONAL LIGHTING INFORMATION - SEE ELECTRICAL DRAWINGS
 - FOR ADDITIONAL MECHANICAL INFORMATION - SEE MECHANICAL DRAWINGS
 - FOR SEISMIC BRACING AT ALL A.C.T. - SEE DETAIL A/A9
 - FOR CEILING HEIGHTS - SEE ROOM FIN. SCHEDULE
 - patch, scrape and paint all e.c.t.r.

- CONSTRUCTION NOTES**
- provide fire rated gypsum CEILING INCLUDING AT THE UNDERSIDE OF THE STAIR STRINGER STRUCTURE.
 - PATCH ALL EXISTING GYPSUM CEILINGs AFFECTED BY MECHANICAL, FIRE PROTECTION AND ELECTRICAL WORK TYPICAL

FIRST floor reflected ceiling PLAN
 SCALE: 1/4" = 1'-0"
 project NORTH



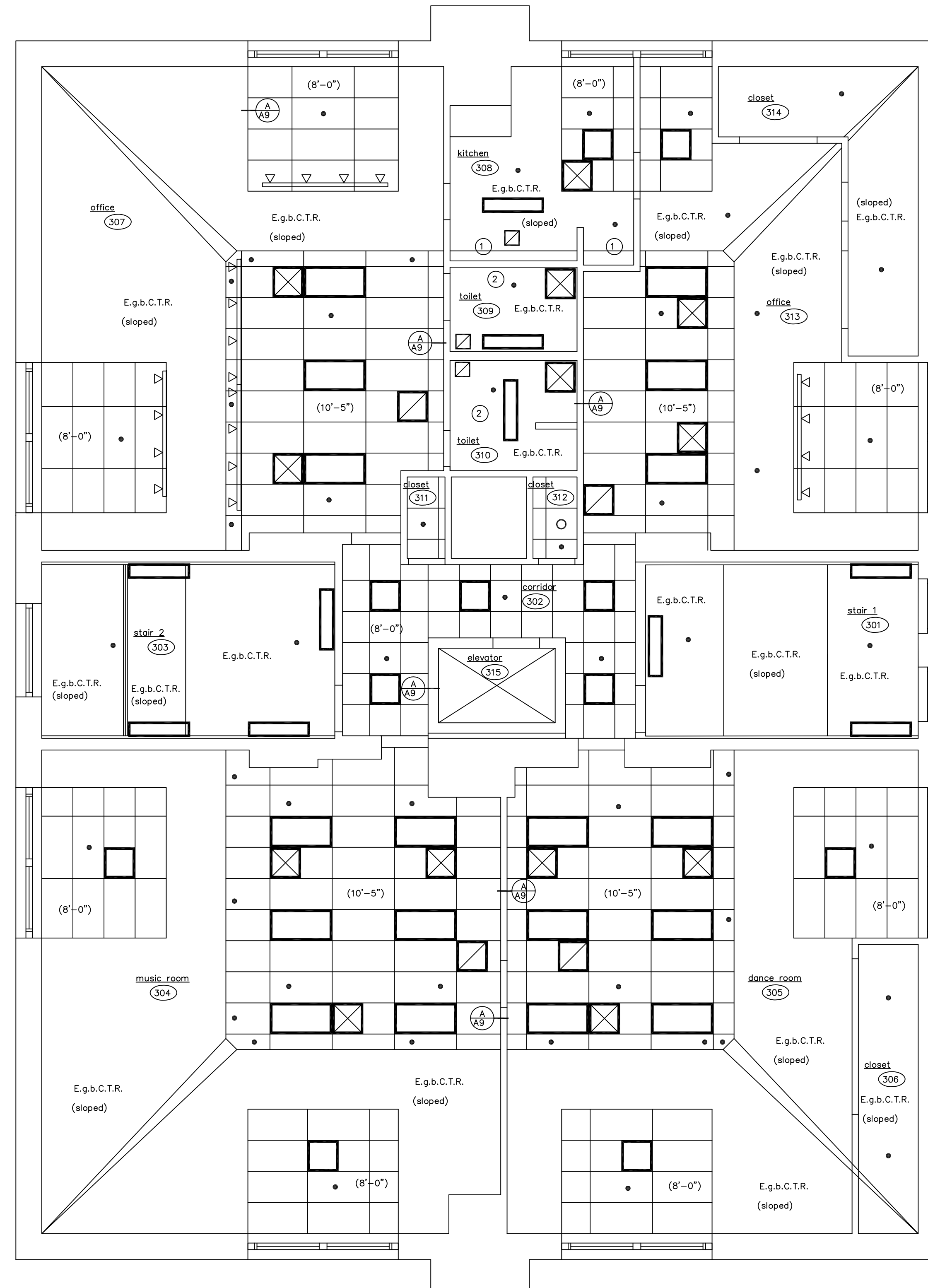
SYMBOL LEGEND

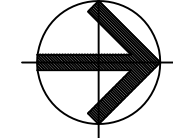
	- 2'x4' ACOUSTICAL CEILING TILE WITH SUPPORT SYSTEM SEE DETAIL A/A9
	- 2'x2' ACOUSTICAL CEILING TILE WITH SUPPORT SYSTEM SEE DETAIL A/A9
	- EXISTING 2'x2' ACOUSTICAL CEILING TILE WITH SUPPORT SYSTEM TO REMAIN
	- PAINTED GYPSUM BOARD
	- 2' X 2' SUPPLY GRILLE SEE MECHANICAL DWGS.
	- 2' X 2' RETURN GRILLE SEE MECHANICAL DWGS.
	- LIGHT FIXTURE - SEE ELECTRICAL DWGS.
	- LIGHT FIXTURE - SEE ELECTRICAL DWGS.
	- LIGHT FIXTURE - SEE ELECTRICAL DWGS.
	- LIGHT FIXTURE - SEE ELECTRICAL DWGS.
	- LIGHT FIXTURE - SEE ELECTRICAL DWGS.
	- SPRINKLER HEAD SEE FIRE PROTECTION DWGS.
	- EXPOSED STRUCTURE
	- Equal spacing, ceiling grid centered in room
	- EXISTING CEILING TO REMAIN
	- NEW CEILING HEIGHT
	- ELEVATION OR SECTION NUMBER - SHEET NUMBER
	- PLAN, SECTION, DETAIL, OR ELEV. NUMBER - SHEET NUMBER

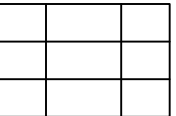
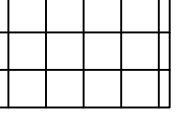
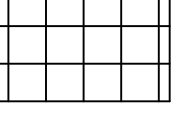
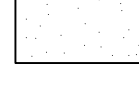



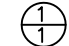
- GENERAL NOTES**
- FOR ADDITIONAL LIGHTING INFORMATION - SEE ELECTRICAL DRAWINGS
 - FOR ADDITIONAL MECHANICAL INFORMATION - SEE MECHANICAL DRAWINGS
 - FOR SEISMIC BRACING AT ALL A.C.T. - SEE DETAIL A/A9
 - FOR CEILING HEIGHTS - SEE ROOM FIN. SCHEDULE
 - patch, scrape and paint all e.c.t.r.

- CONSTRUCTION NOTES**
- provide NEW ACOUSTICAL CEILING TILES IN HIGH POCKET OF TOILET 212
 - PATCH ALL EXISTING GYPSUM CEILINGS AFFECTED BY MECHANICAL, FIRE PROTECTION AND ELECTRICAL WORK TYPICAL

second floor reflected ceiling PLAN
 SCALE: 1/4" = 1'-0"
 project NORTH

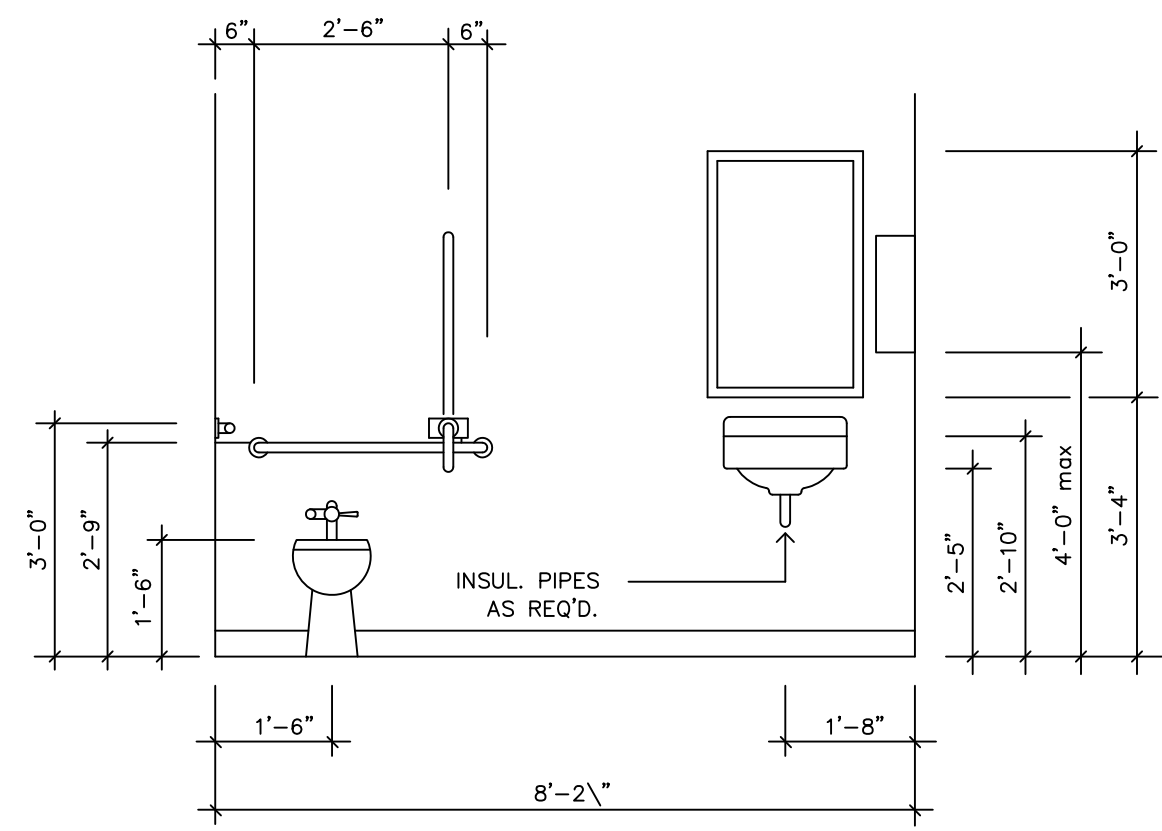



 third floor
 reflected ceiling PLAN
 SCALE: 1/4" = 1'-0"
 project NORTH

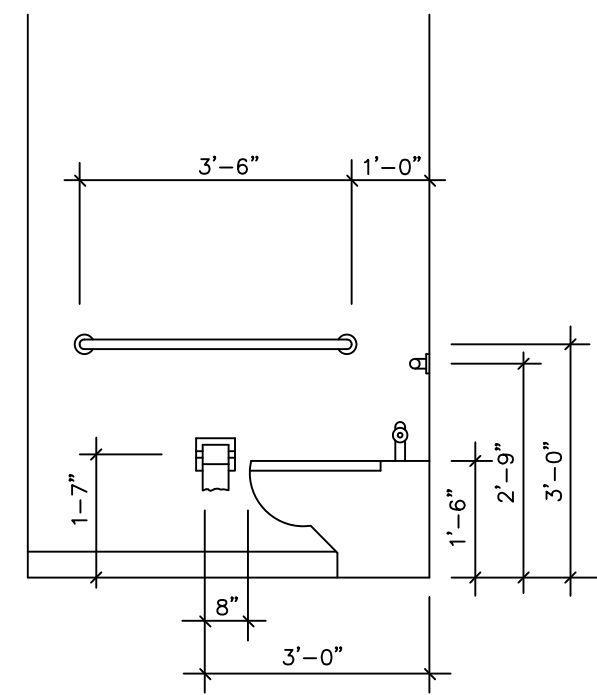
SYMBOL LEGEND	
	- 2'x4' ACOUSTICAL CEILING TILE WITH SUPPORT SYSTEM SEE DETAIL A/A9
	- 2'x2' ACOUSTICAL CEILING TILE WITH SUPPORT SYSTEM SEE DETAIL A/A9
	- EXISTING 2'x2' ACOUSTICAL CEILING TILE WITH SUPPORT SYSTEM TO REMAIN
	- PAINTED GYPSUM BOARD
	- 2' X 2' SUPPLY GRILLE SEE MECHANICAL DWGS.
	- 2' X 2' RETURN GRILLE SEE MECHANICAL DWGS.
	- LIGHT FIXTURE - SEE ELECTRICAL DWGS.
	- LIGHT FIXTURE - SEE ELECTRICAL DWGS.
	- LIGHT FIXTURE - SEE ELECTRICAL DWGS.
	- LIGHT FIXTURE - SEE ELECTRICAL DWGS.
	- LIGHT FIXTURE - SEE ELECTRICAL DWGS.
	- LIGHT FIXTURE - SEE ELECTRICAL DWGS.
	- SPRINKLER HEAD SEE fire protection DWGS.
E.S.	- EXPOSED STRUCTURE
Eq.	- Equal spacing, ceiling grid centered in room
E.g.b.C.T.R.	- EXISTING gypsum board CEILING TO REMAIN
(XXX)	- NEW CEILING HEIGHT
	- ELEVATION OR SECTION NUMBER - SHEET NUMBER
	- PLAN, SECTION, DETAIL, OR ELEV. NUMBER - SHEET NUMBER

- GENERAL NOTES**
- FOR ADDITIONAL LIGHTING INFORMATION - SEE ELECTRICAL DRAWINGS
 - FOR ADDITIONAL MECHANICAL INFORMATION - SEE MECHANICAL DRAWINGS
 - FOR SEISMIC BRACING AT ALL A.C.T. - SEE DETAIL A/A9
 - FOR CEILING HEIGHTS - SEE ROOM FIN. SCHEDULE
 - patch, scrape and paint all e.c.t.r.

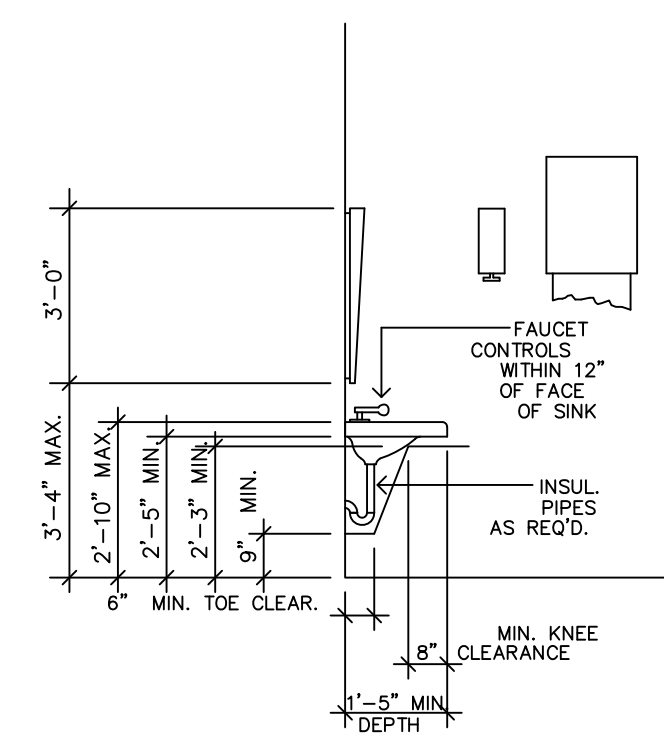
- CONSTRUCTION NOTES**
- REMOVE EXIST. ACT AND PATCH TOP OF SLOPED CEILING IN KITCHEN WITH 1" GYP. BD. ON A 3" MTL. STUD LEDGER
 - PATCH ALL EXISTING GYPSUM CEILINGS AFFECTED BY MECHANICAL, FIRE PROTECTION AND ELECTRICAL WORK TYPICAL



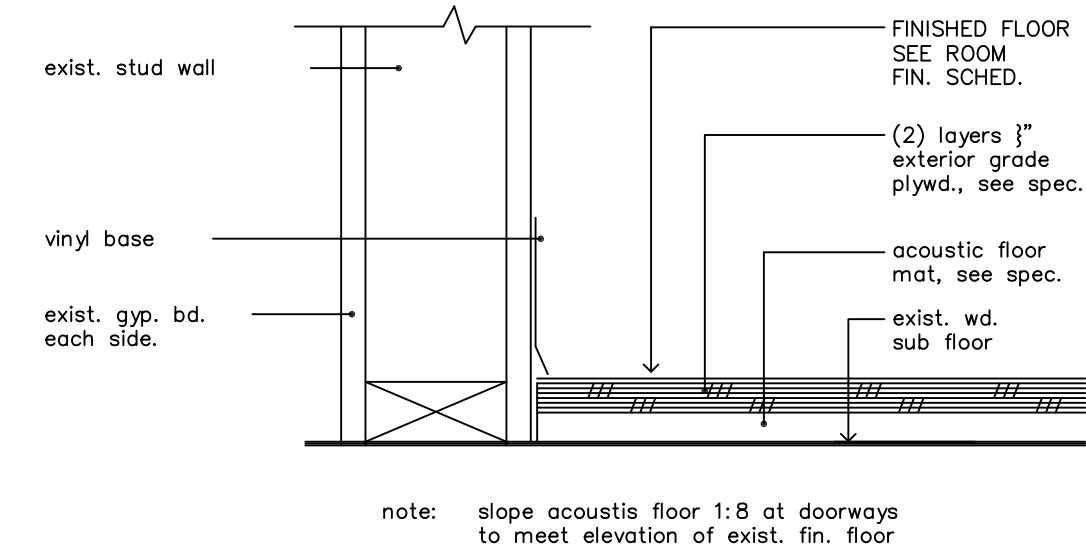
hc. TOILET ELEV. 1
SCALE: 1/2" = 1'-0" Q14



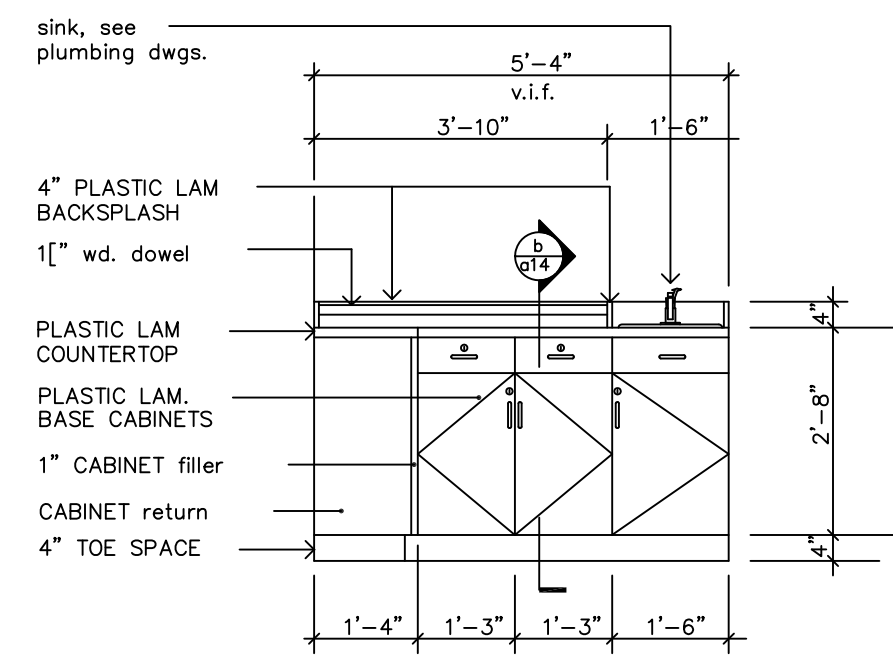
hc. TOILET ELEV. 2
SCALE: 1/2" = 1'-0" Q14



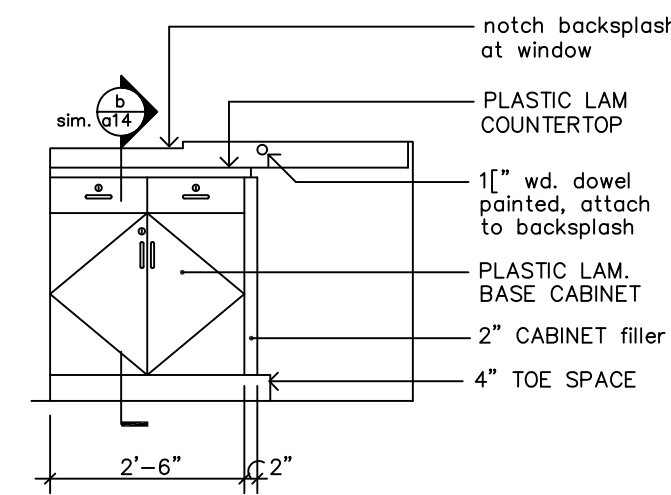
LAVATORY CLEARANCE 3
SCALE: NONE Q14



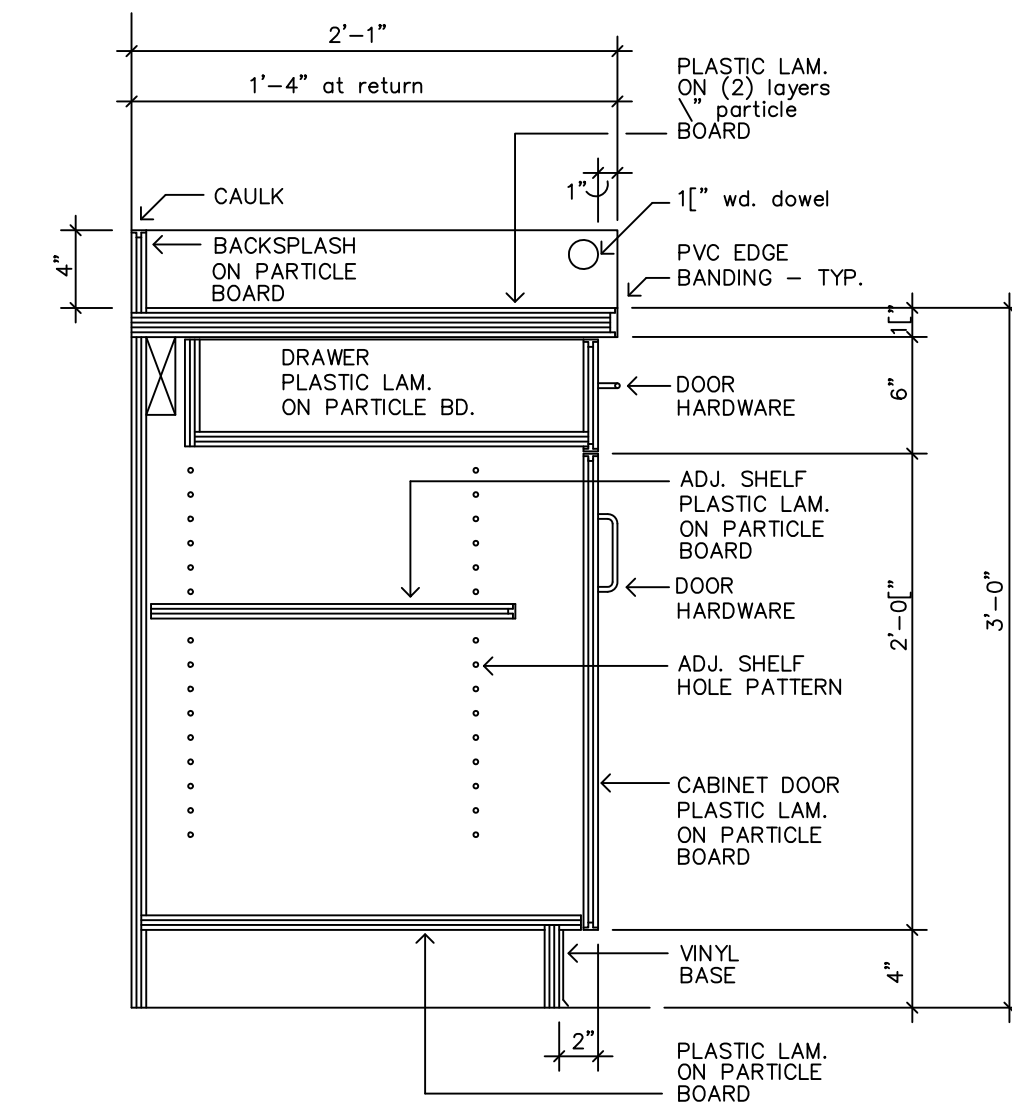
acoustical sound floor detail at dance rm. 305 7
SCALE: 3" = 1'-0" Q14



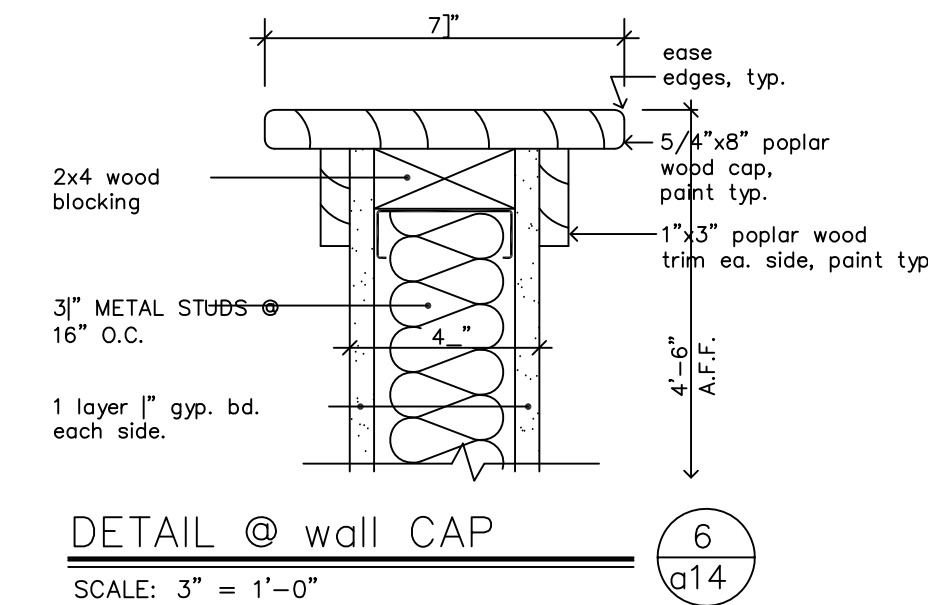
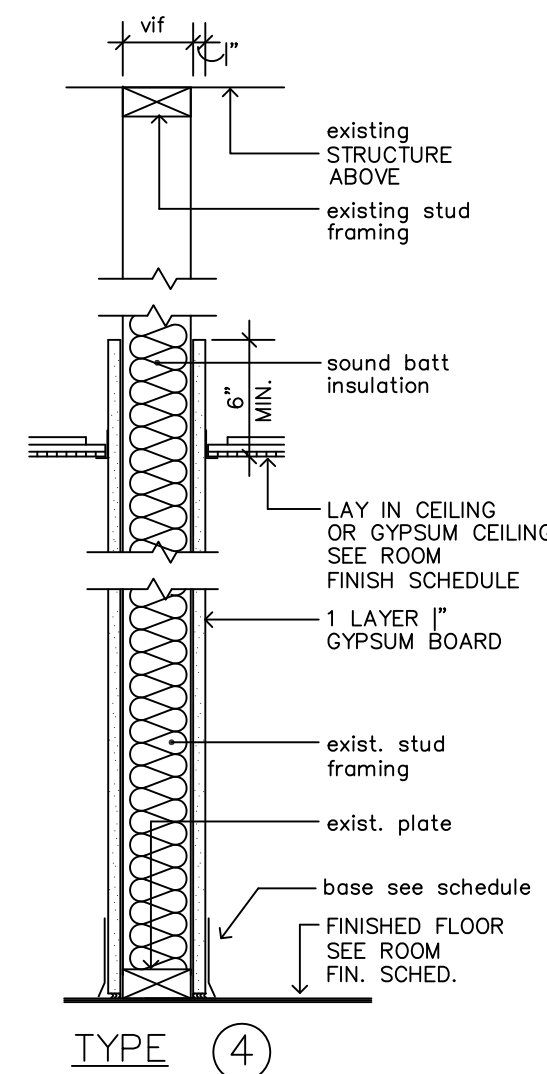
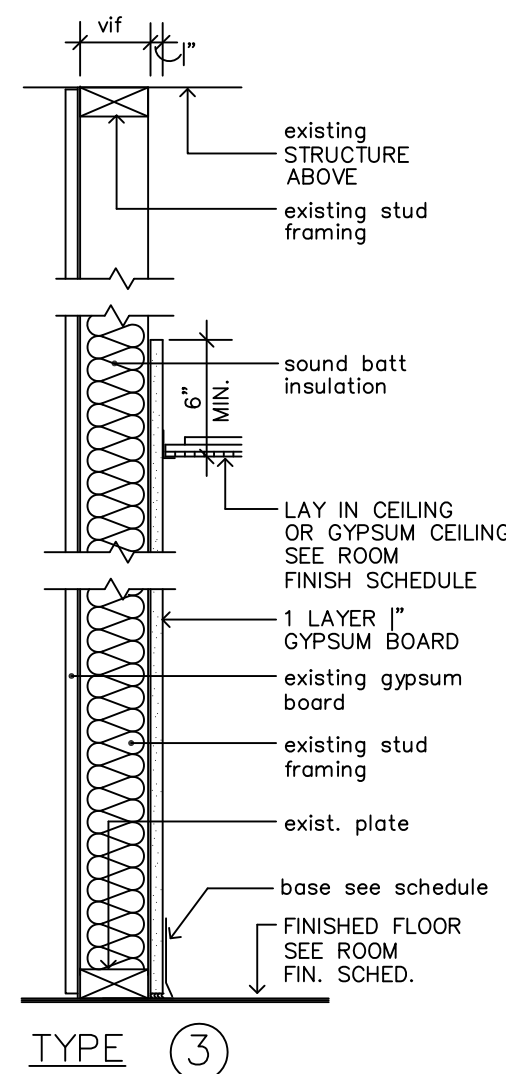
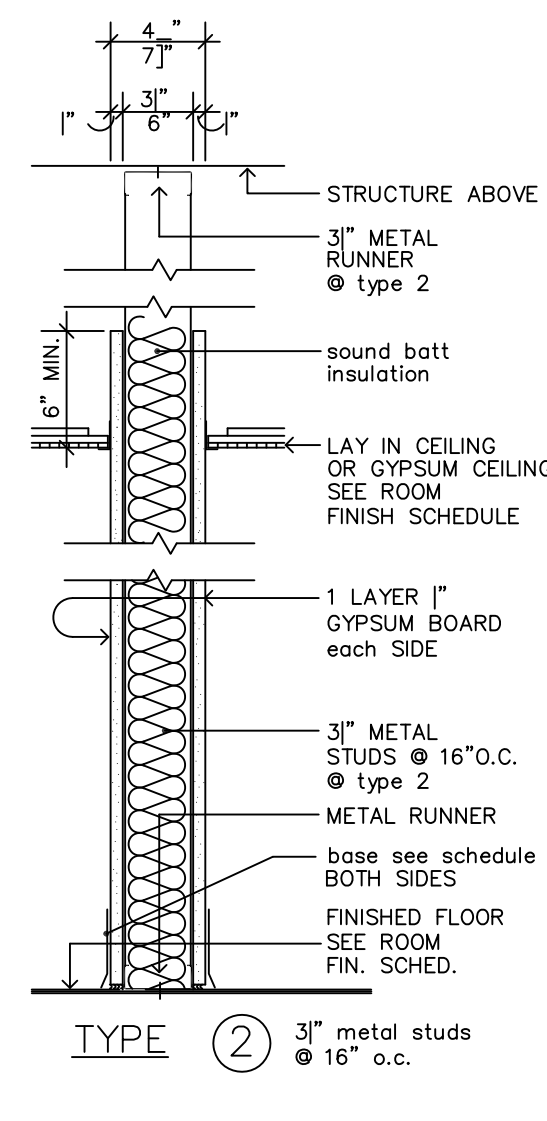
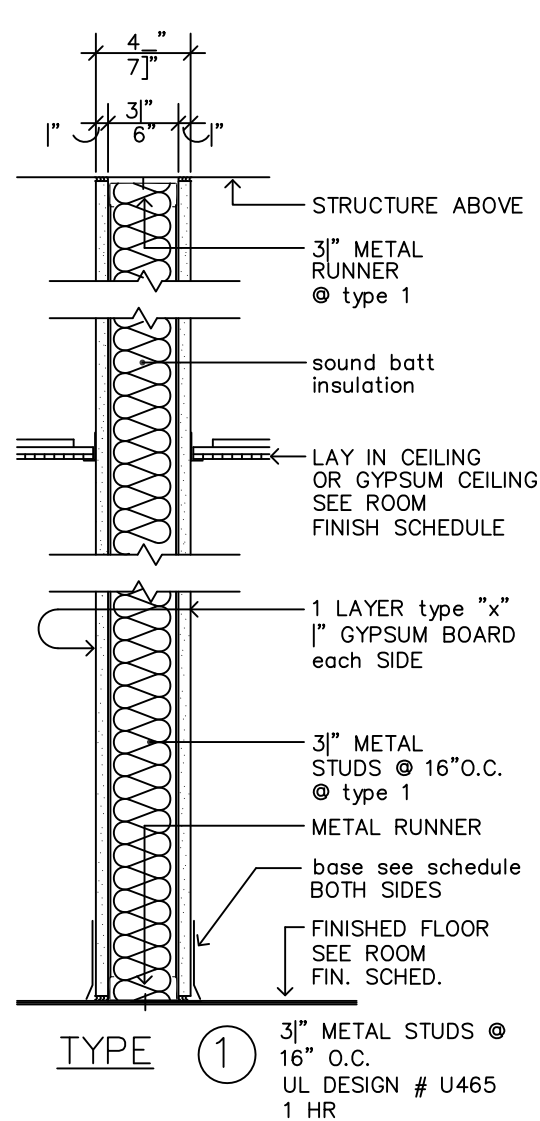
diaper changing station elev. 8
SCALE: 1/2" = 1'-0" Q14



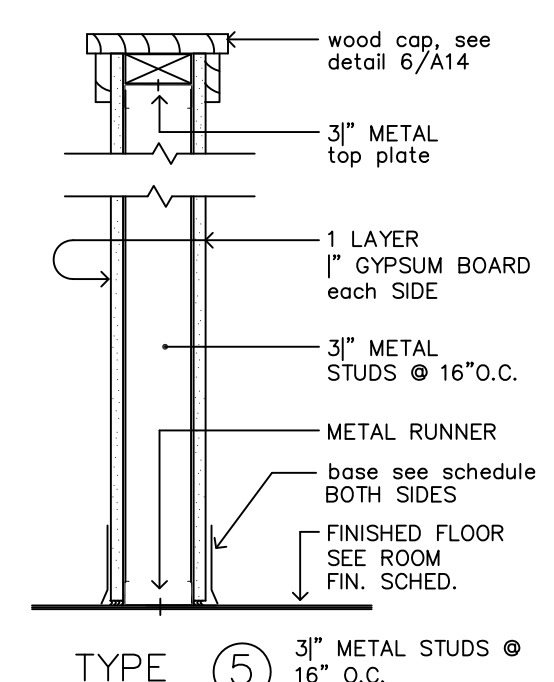
diaper changing station return 9
SCALE: 1/2" = 1'-0" Q14



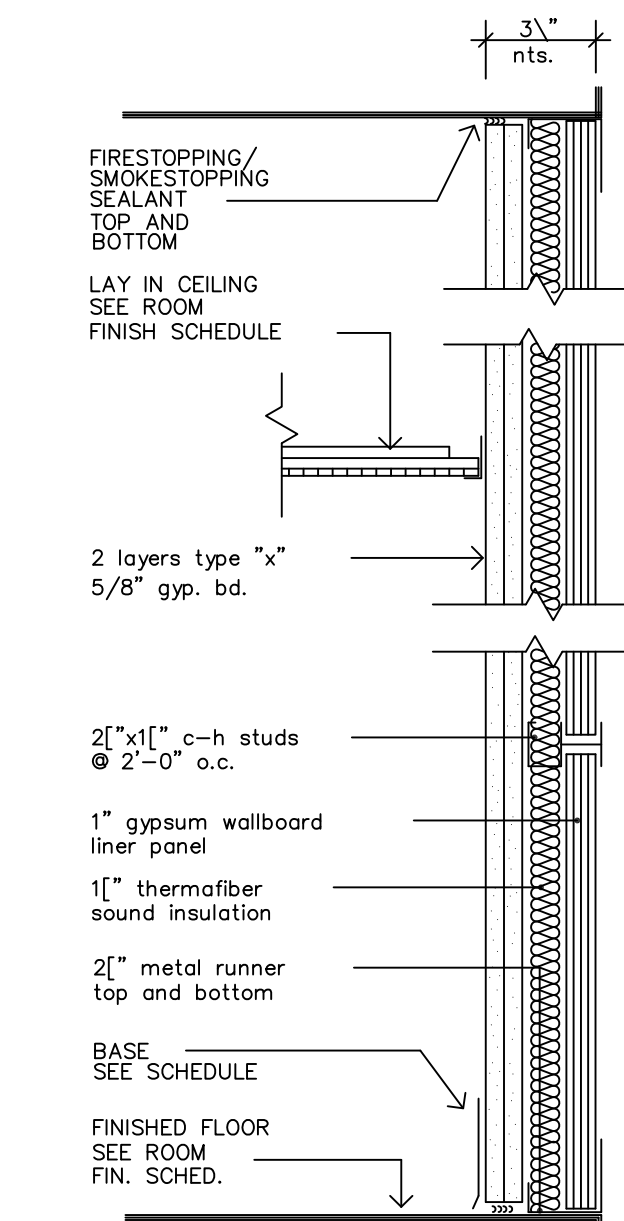
CABINET DETAIL b
SCALE: 1 1/2" = 1'-0" Q14
note: remove drawer and adj. shelf at sink cabinet



DETAIL @ wall CAP 6
SCALE: 3" = 1'-0" Q14

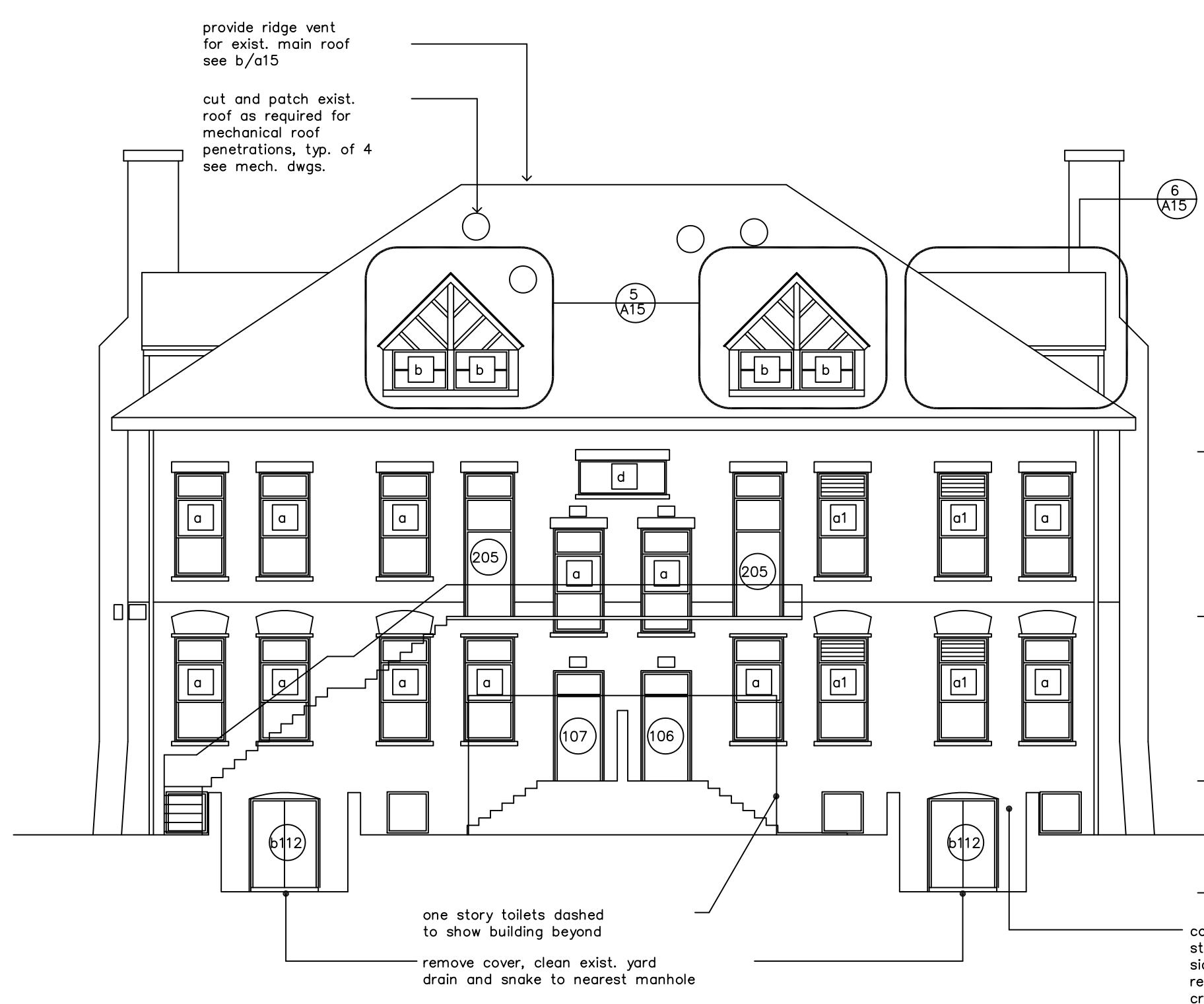


TYPE 5 3" METAL STUDS @ 16" O.C.
NOTE: REFER TO PLAN FOR HEIGHT OF ALL LOW WALLS (X'-X')



TYPE 6 NOTE: SEAL ALL DUCT, PIPE, AND MISC. PENETRATIONS THROUGH WALL WITH SAFING INSUL. & PUTTY AS REQUIRED TO MEET SMOKE AND/OR FIRE RATINGS. FOR ADDITIONAL INFORMATION SEE SPECIFICATION

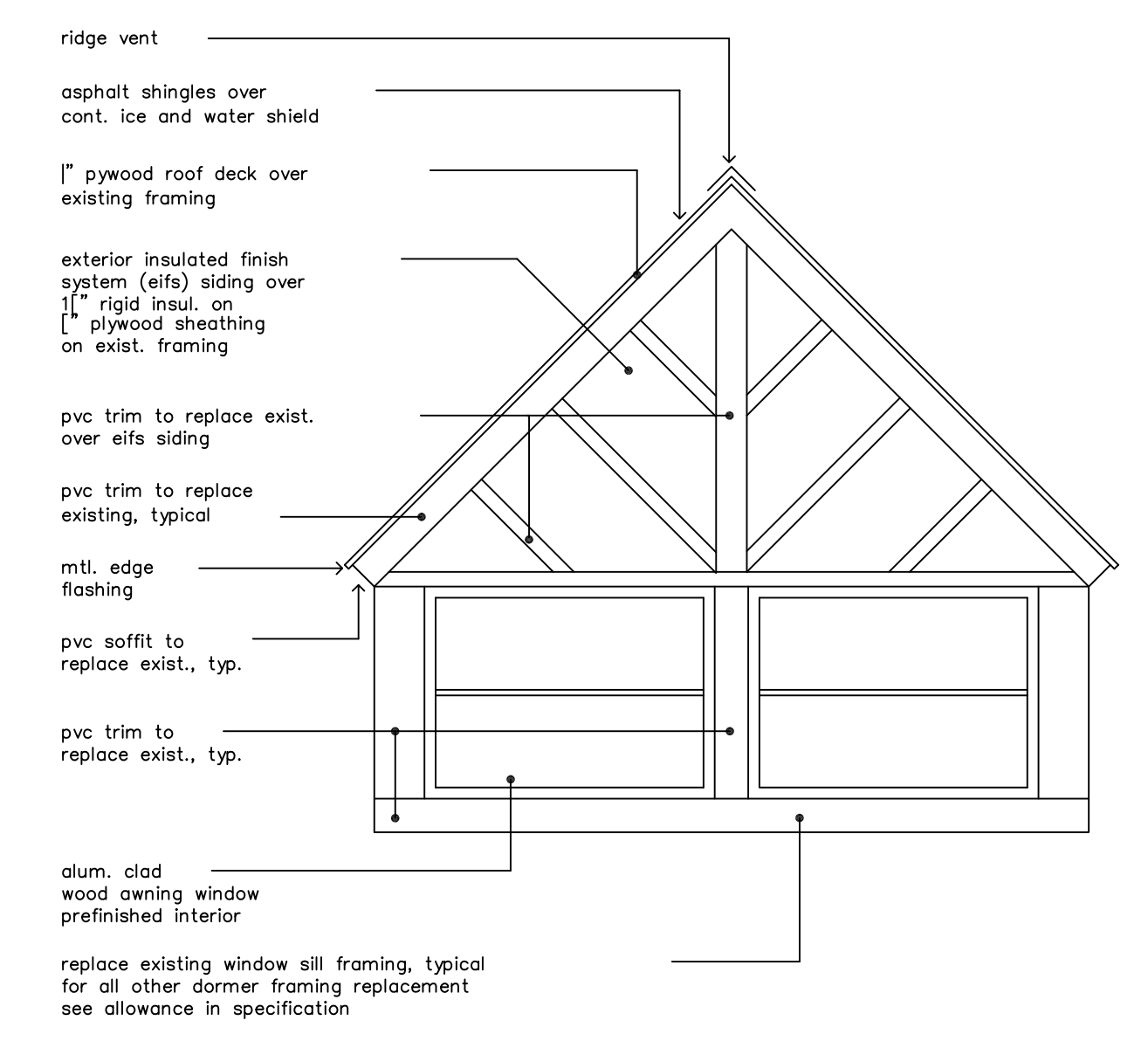
PARTITION TYPES A
SCALE: 1 1/2" = 1'-0" Q14
SEAL ALL PENETRATIONS IN RATED WALLS INCLUDING ALL ELECTRICAL, MECHANICAL AND PLUMBING PENETRATIONS AND AROUND ALL STRUCTURE INCLUDING TRUSSES ABOVE AS REQUIRED. FOR WALL LOCATIONS SEE DWG. A1 FOR MATERIALS SEE PROJECT MANUAL



rear elevation (south) 2
a15
SCALE: 1/8" = 1'-0"



side elevation (west) 4
a15
SCALE: 1/8" = 1'-0"



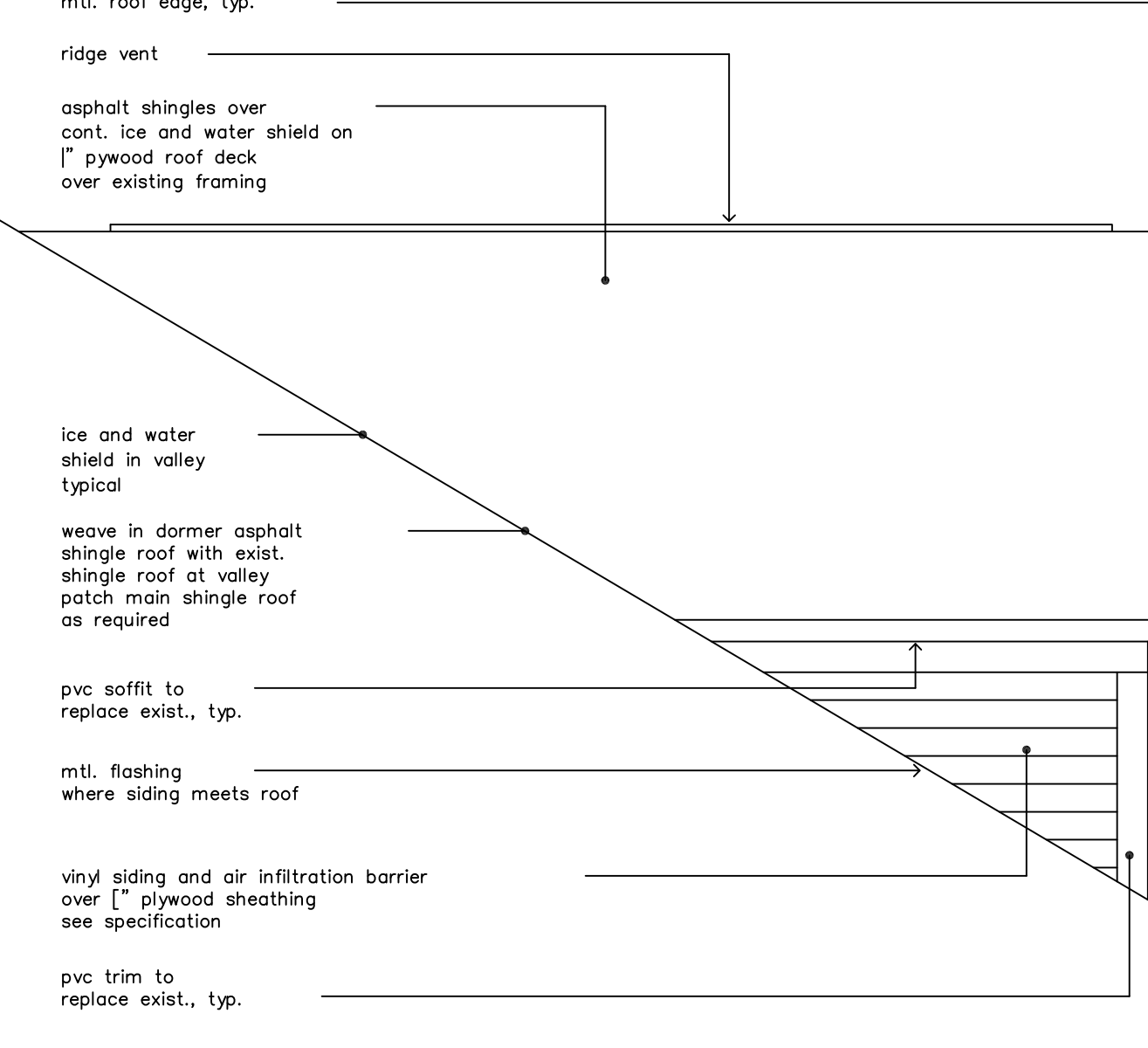
typical re-built dormer elevation 5
A15
SCALE: 1/2" = 1'-0"
note: see specification for allowance to replace damaged or rotted dormer framing



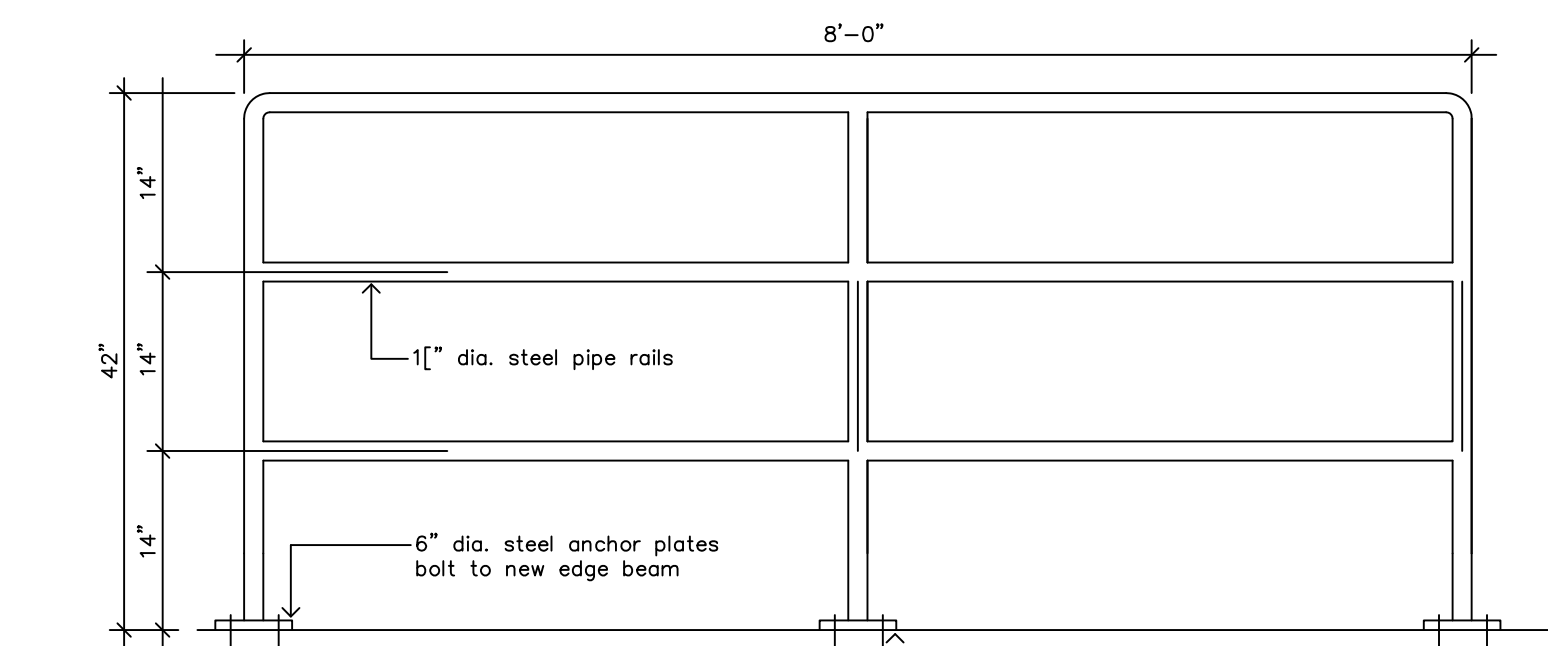
front elevation (north) 1
a15
SCALE: 1/8" = 1'-0"



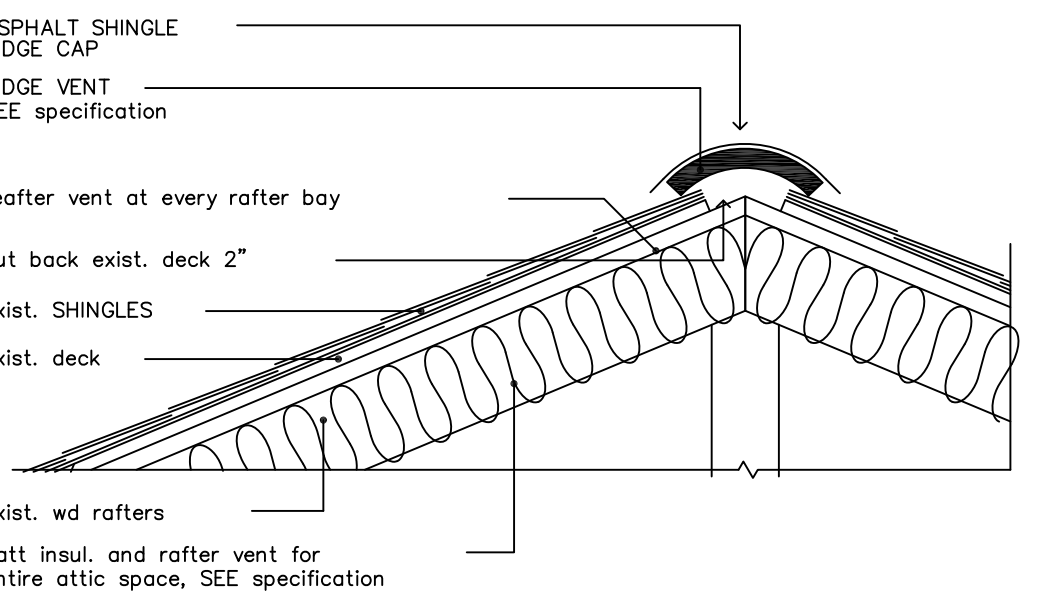
side elevation (east) 3
a15
SCALE: 1/8" = 1'-0"



typical re-built dormer side elevation 6
A15
SCALE: 1/2" = 1'-0"
note: see specification for allowance to replace damaged or rotted dormer framing



BID ALTERNATE #3 provide guardrails (2) as part of steel frame for condenser units.
metal guardrail a
a15
SCALE: 1" = 1'-0"



RIDGE VENT DETAIL b
a15
SCALE 1/4" = 1'-0"

Project Title: RENOVATIONS TO:
GLENBROOK COMMUNITY CENTER
35 CRESCENT STREET
STAMFORD, CONNECTICUT 06906

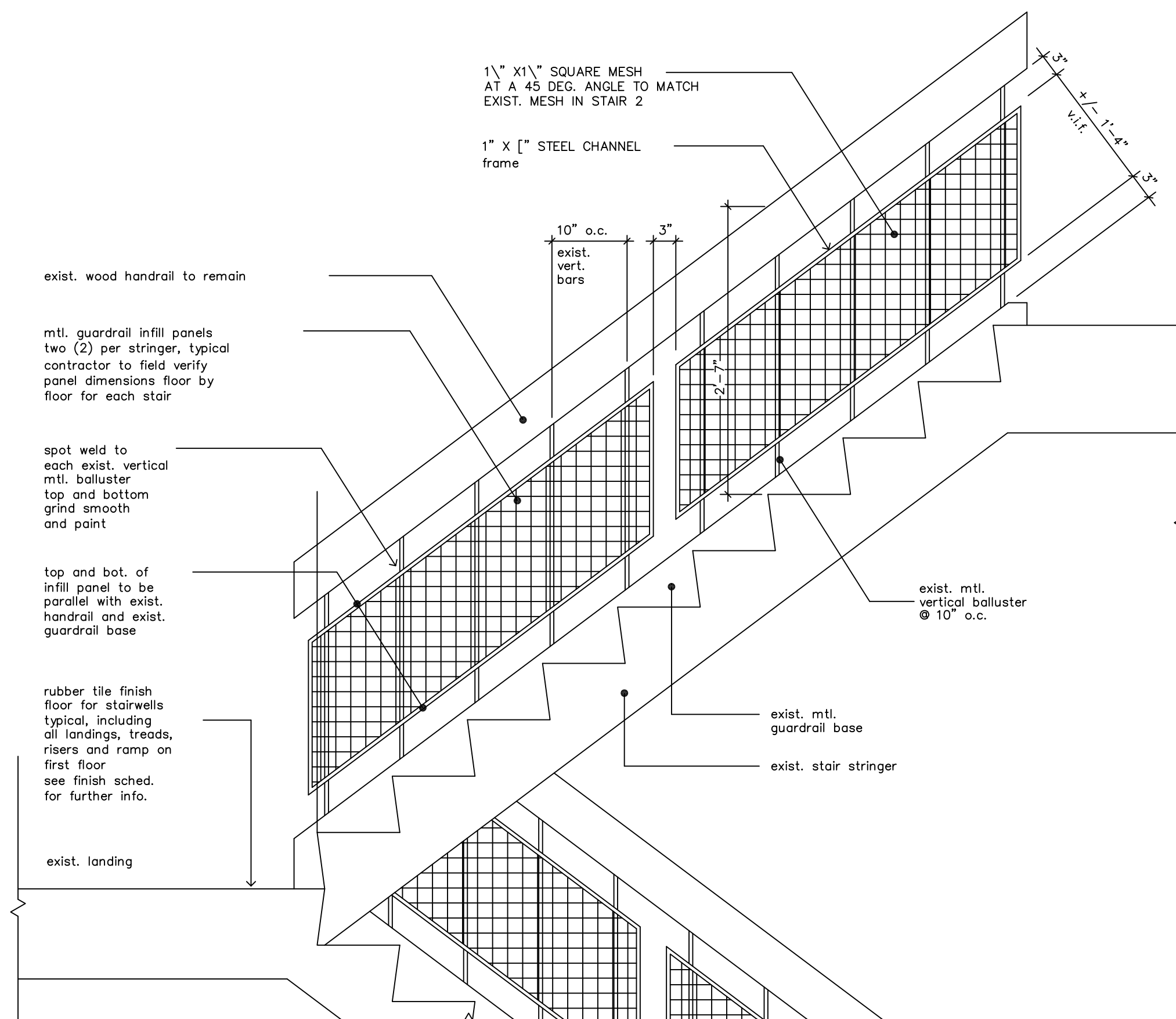
Revision	Description	Date	Revised By
AS BUILT		12/30/2005	

Drawing Title: **ELEVATIONS**

Date: **MAY 25, 2004**

Scale: **1/4" = 1'-0"**

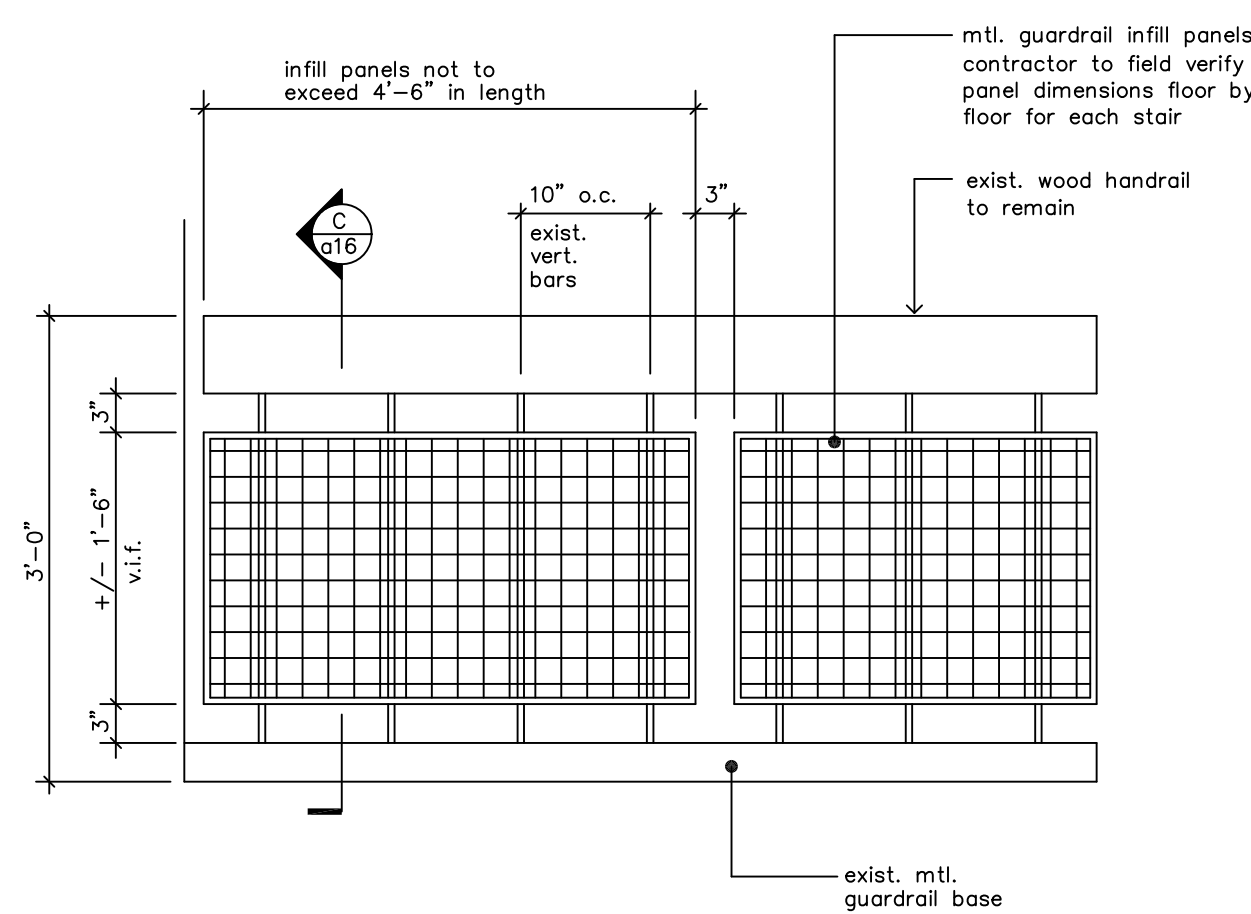
Project Number: **A15**



typical guardrail infill panel

SCALE: 1" = 1'-0"

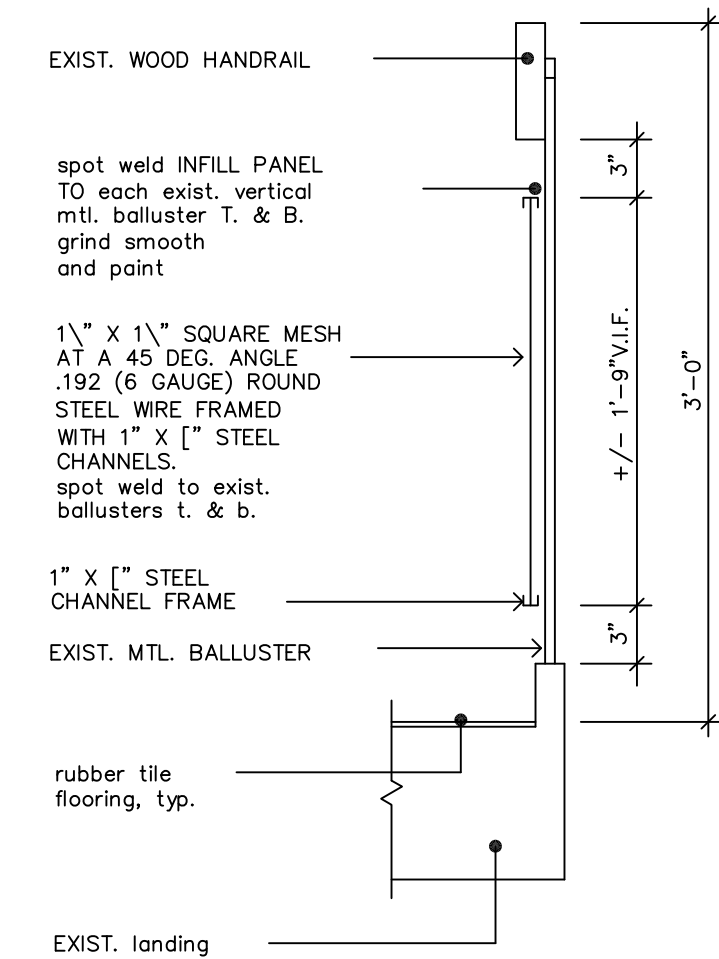
A
Q16



typical guardrail infill panel at landings and floors

SCALE: 1" = 1'-0"

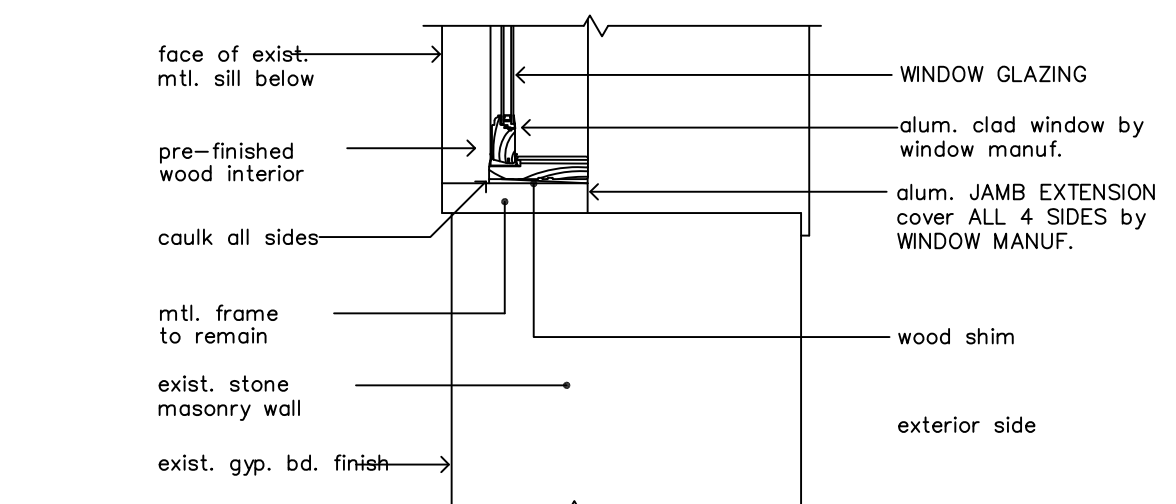
b
Q16



guardrail infill panel section

SCALE: 1" = 1'-0"

c
Q16

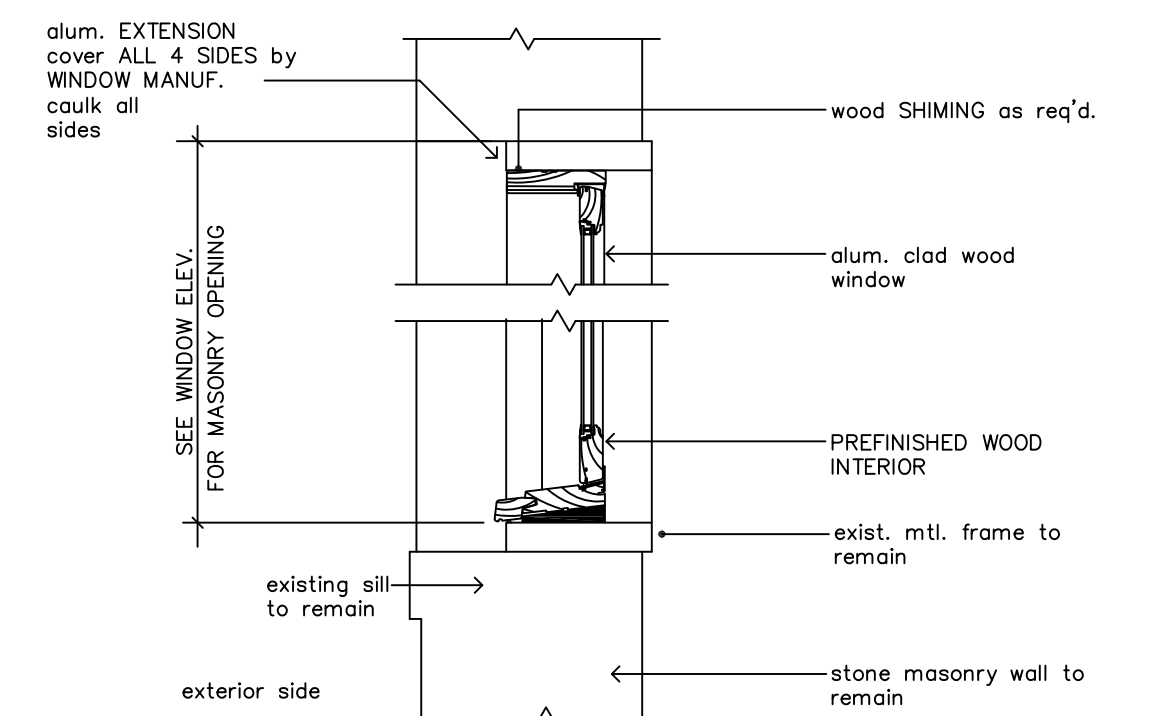


BID ALTERNATE #5 - FIRST, SECOND FLOOR AND STAIRWELL WINDOWS

jamb @ window type "C" & "D"

SCALE: 1" = 1'-0"

D
Q16

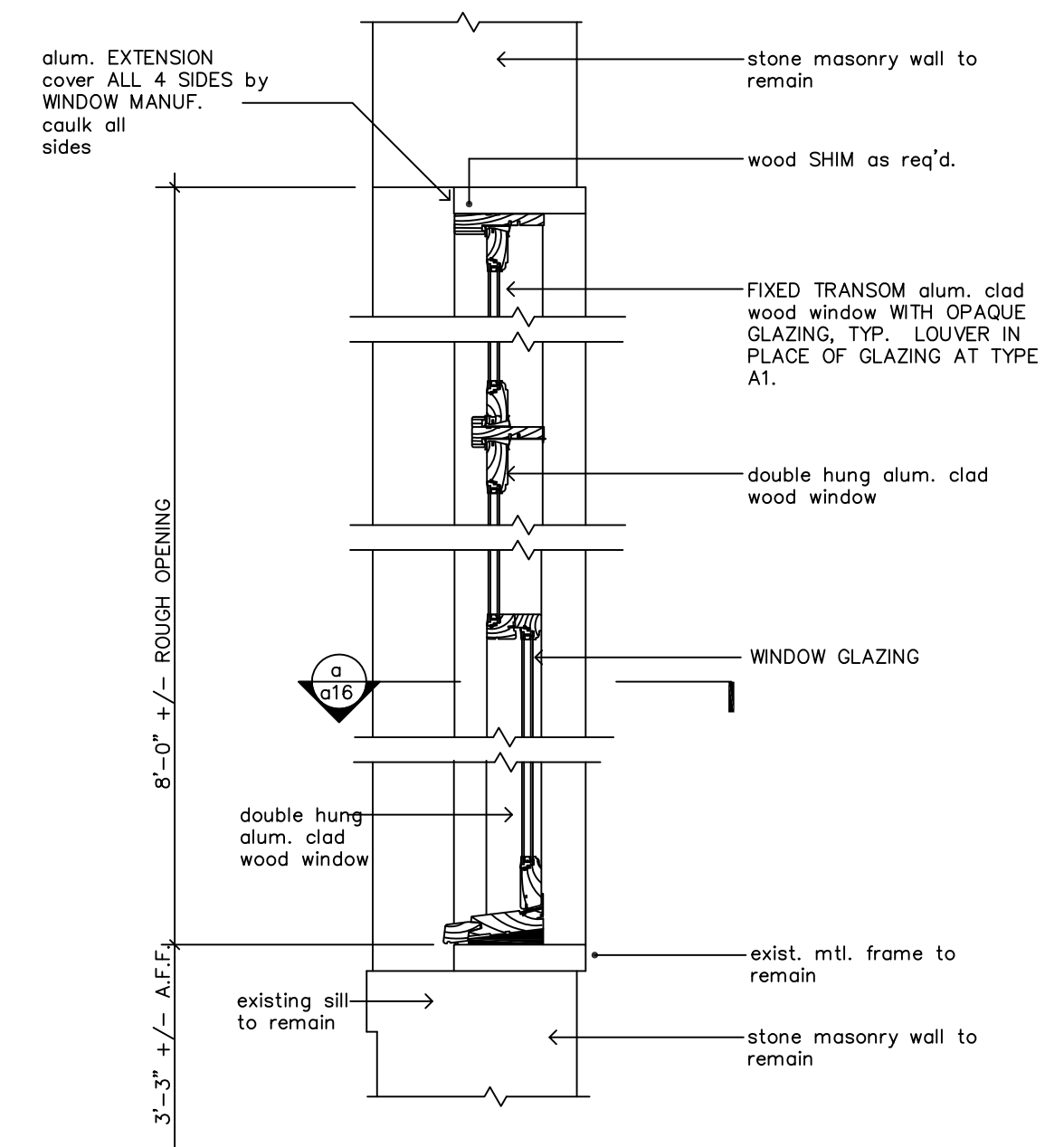


BID ALTERNATE #5 - FIRST, SECOND FLOOR AND STAIRWELL WINDOWS

SECTION @ window type "C" & "D"

SCALE: 1" = 1'-0"

C
Q16



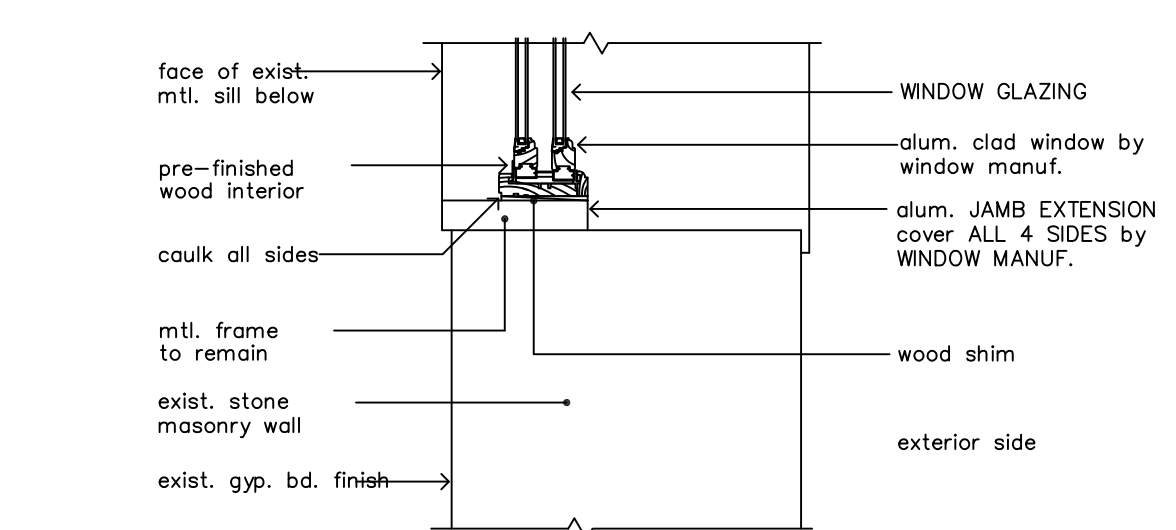
BID ALTERNATE #5 - FIRST, SECOND FLOOR AND STAIRWELL WINDOWS

SECTION @ window type "A" & "A1"

SCALE: 1" = 1'-0"

NOTE: SEE DETAIL A/A10 FOR WINDOW/CEILING CONNECTION

b
Q16

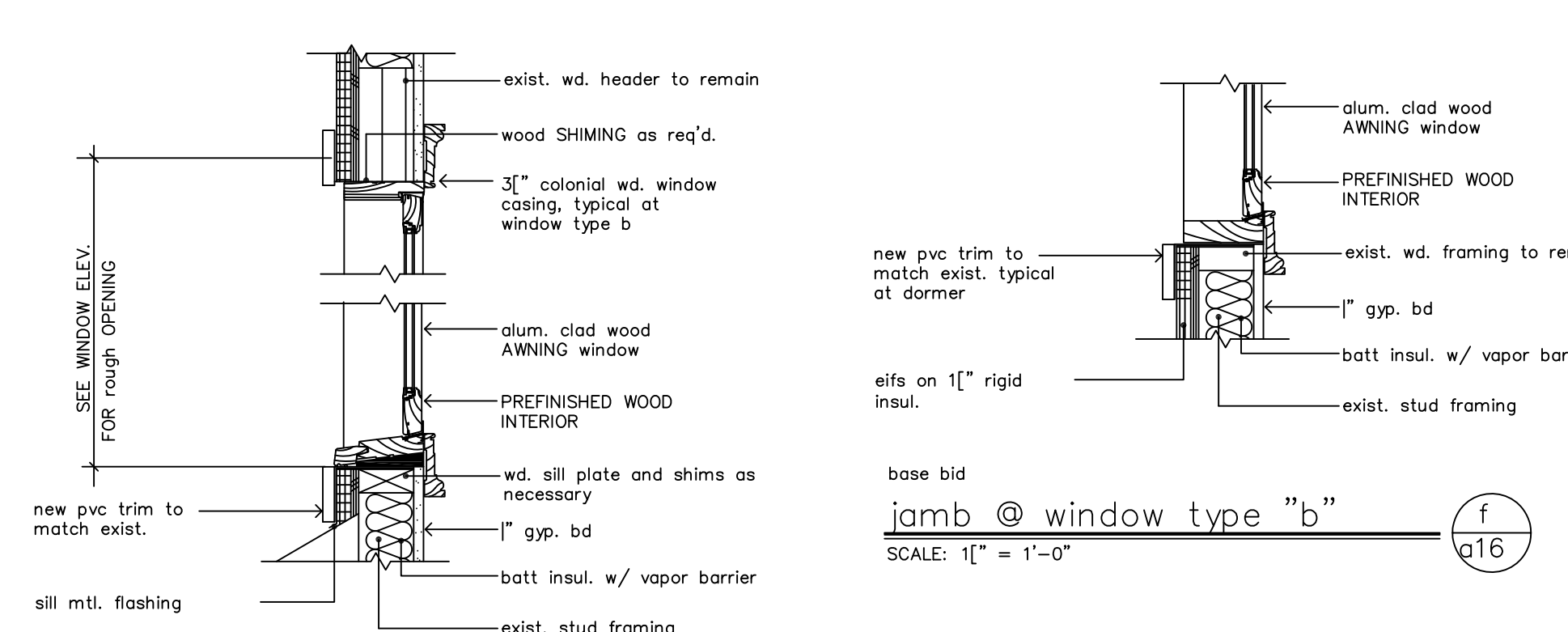


BID ALTERNATE #5 - FIRST, SECOND FLOOR AND STAIRWELL WINDOWS

jamb @ window type "a" & "a1"

SCALE: 1" = 1'-0"

a
Q16

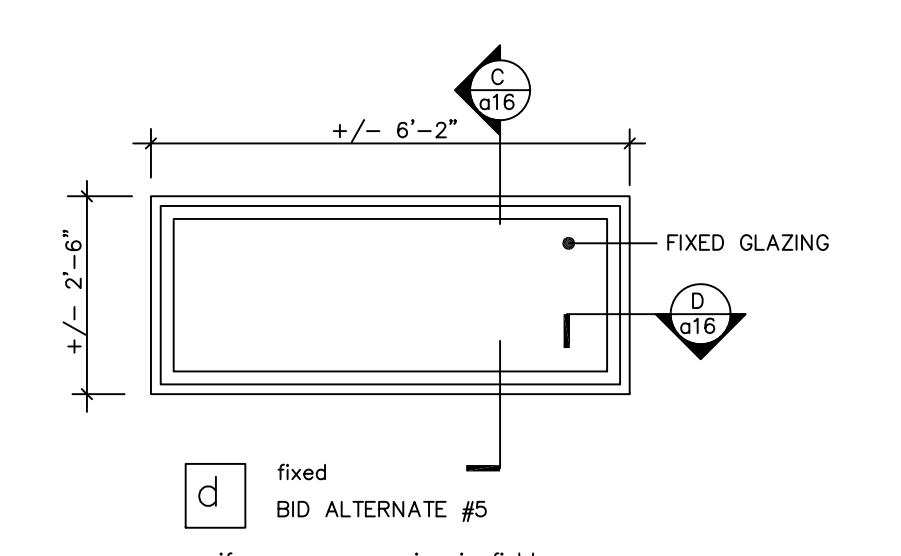


base bid

SECTION @ window type "b"

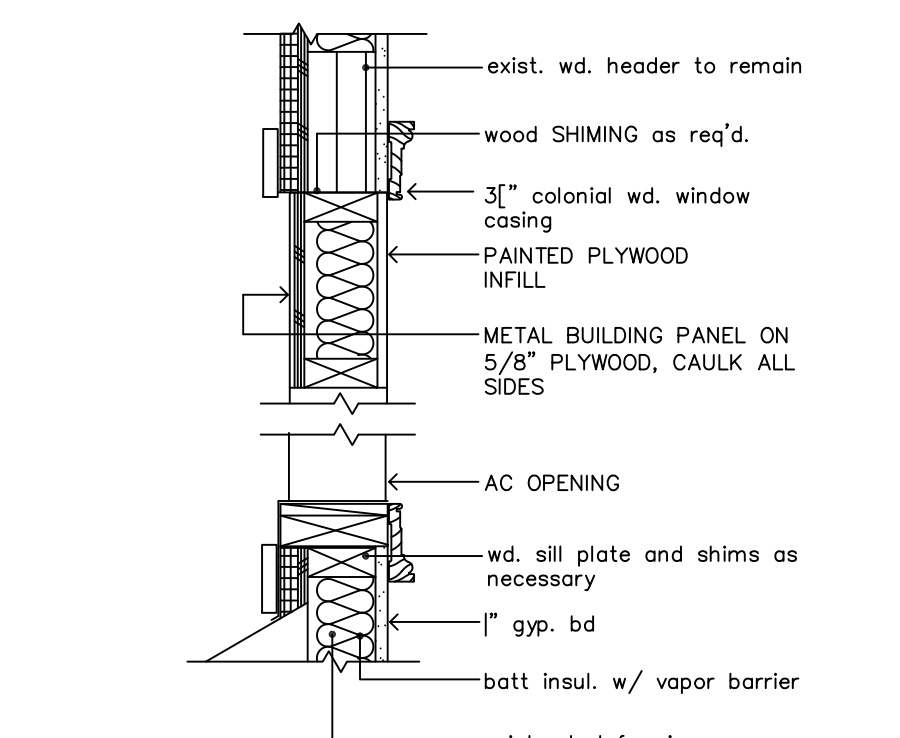
SCALE: 1" = 1'-0"

e
Q16



fixed BID ALTERNATE #5

verify masonry opening in field

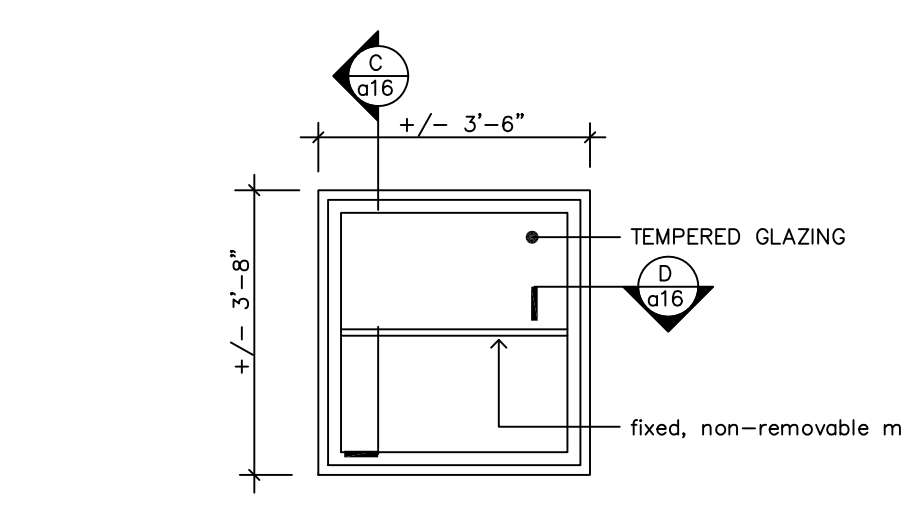


base bid (4) LOCATIONS

SECTION @ WINDOW AC INFILL

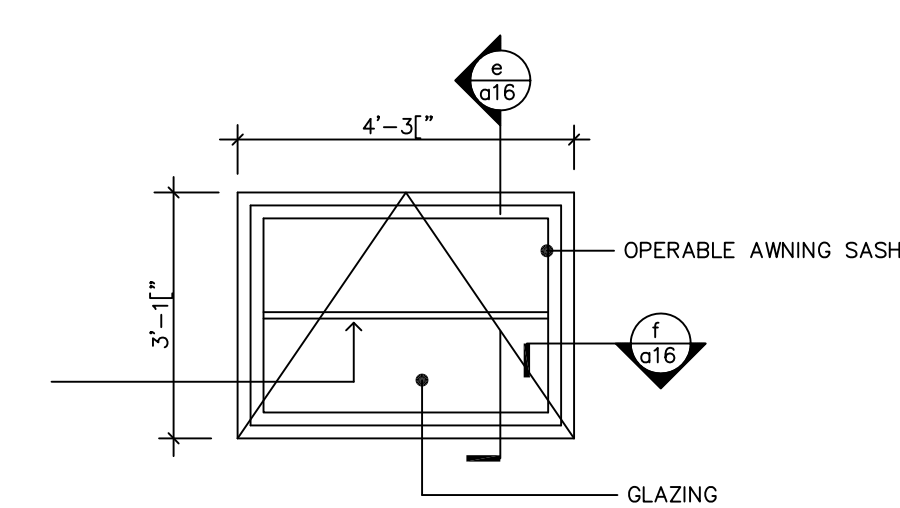
SCALE: 1" = 1'-0"

e
Q16



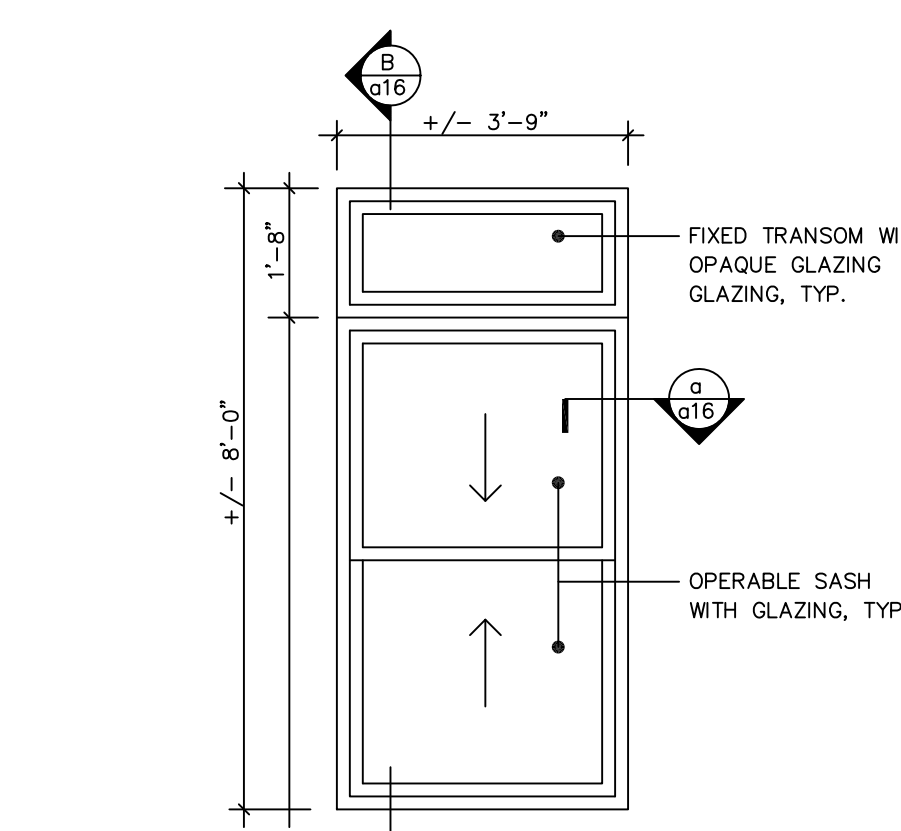
fixed BID ALTERNATE #5

verify masonry opening in field



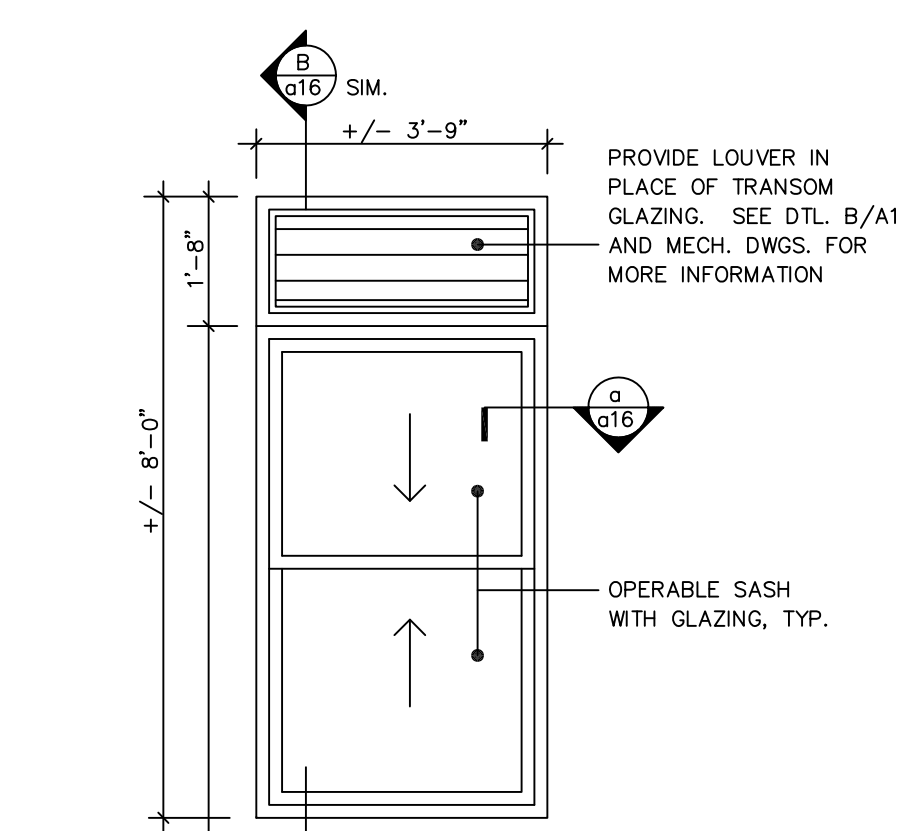
awning BASE BID

rough opening 4'-4" x 3'-2" VERIFY EXISTING OPENING IN FIELD



double hung with fixed transom BID ALTERNATE #5

verify masonry opening in field



double hung with fixed transom BID ALTERNATE #5

verify masonry opening in field

WINDOW ELEVATIONS

SCALE: 1" = 1'-0"

verify masonry openings in field

1
Q16

GENERAL

- THE INTENT OF THESE CONTRACT DOCUMENTS IS FOR THE CONTRACTOR TO FURNISH AND INSTALL COMPLETE MECHANICAL AND ELECTRICAL SYSTEMS. THESE MECHANICAL AND ELECTRICAL SYSTEMS INCLUDE PLUMBING, FIRE PROTECTION, HVAC, ELECTRICAL AND ALL ASSOCIATED SPECIAL SYSTEMS. ALL SYSTEMS SHALL BE COMPLETE IN ALL RESPECTS: OPERATING, TESTED, ADJUSTED, APPROVED BY THE AUTHORITIES HAVING JURISDICTION AND READY FOR BENEFICIAL USE BY THE OWNER.
- THE CONTRACTOR SHALL OBTAIN AND REVIEW ALL CONTRACT DOCUMENTS INCLUDING PROJECT MANUAL, PLANS AND SPECIFICATIONS OF ALL TRADES BEFORE SUBMITTING BID. REFER TO SPECIFICATIONS, PROJECT MANUAL AND PLANS, INCLUDING ALL EQUIPMENT SCHEDULES FOR MECHANICAL AND ELECTRICAL INFORMATION. CONTRACTOR SHALL WALK THROUGH BUILDING PRIOR TO SUBMITTING BID.
- ALL OF THE CONTRACT DRAWINGS AND SPECIFICATIONS ARE COMPLEMENTARY TO FORM A TOTAL DESIGN PACKAGE. IT IS THE RESPONSIBILITY OF THE GENERAL CONTRACTOR/CONSTRUCTION MANAGER TO DETERMINE WHICH TRADE CONTRACTOR IS RESPONSIBLE FOR VARIOUS PORTIONS OF THE WORK.
- ALL WORK AND ACTION DEFICIT AND DESCRIBED SHALL BE PERFORMED BY THE CONTRACTOR UNLESS SPECIFICALLY NOTED OTHERWISE.
- PROVIDE SUPPORT/BRACING OF EQUIPMENT AND BUILDING SERVICES FOR SEISMIC RESTRAINT AS REQUIRED BY CODE.
- OBTAIN AND PAY FOR ALL REQUIRED PERMITS AND INSPECTIONS.
- ALL EQUIPMENT, MATERIALS AND RELATED SYSTEMS COMPONENTS SHALL BE NEW UNLESS SPECIFICALLY NOTED OTHERWISE.
- REPAIR AND/OR REPLACE AT NO COST TO OWNER ALL EQUIPMENT AND MATERIALS DAMAGED DURING CONSTRUCTION.
- THE DRAWINGS ARE DIAGNOSTIC AND INDICATE THE GENERAL ARRANGEMENT OF SYSTEMS AND WORK INCLUDED IN THE CONTRACT. THE CONTRACTOR SHALL COORDINATE LOCATIONS OF EQUIPMENT WITH ALL TRADES BEFORE STARTING CONSTRUCTION. ANY MODIFICATIONS TO THE EQUIPMENT LAYOUT REQUIRED FOR INSTALLATION ARE TO BE PERFORMED AT NO ADDITIONAL COST TO THE OWNER.
- REFER TO THE ARCHITECTURAL DRAWINGS FOR THE EXACT LOCATION OF LIGHT FIXTURES AND MOUNTING HEIGHTS OF EQUIPMENT. INCLUSIVE OF RECEPTACLES, SWITCHES, THERMOSTATS, ETC. ALL SUCH EQUIPMENT AND COLORS SHALL BE COORDINATED WITH THE ARCHITECTURAL ARCHITECT FOR CLARIFICATION OF MOUNTING REQUIREMENTS, IF INFORMATION IS NOT CONTAINED IN THE DRAWINGS.
- ALL WORK SHALL BE PERFORMED IN COMPLIANCE WITH THE APPLICABLE CODES IN THE ORDINANCES AND THE REGULATORY AGENCIES HAVING JURISDICTION.
- ALL EQUIPMENT SHALL BE LOCATED IN ACCESSIBLE LOCATIONS, WHEN A PIECE OF EQUIPMENT MUST BE LOCATED ABOVE AN INACCESSIBLE CEILING OR WALL THEN THE APPROPRIATE ACCESS DOOR SHALL BE PROVIDED. THESE SHALL BE COORDINATED WITH THE ARCHITECT.
- WHEN CONFLICTS OCCUR BETWEEN THE DRAWINGS AND/OR SPECIFICATIONS IT SHALL BE BROUGHT TO THE ATTENTION OF THE ENGINEER. THE CONTRACTOR SHALL CARRY AS PART OF THE BID THE LARGER QUANTITY AND/OR MORE EXPENSIVE ITEMS.
- CONTRACTORS SHALL COORDINATE THEIR WORK WITH ALL OWNER-FURNISHED EQUIPMENT, INCLUDING REQUIRED SERVICE CONNECTIONS, RECEPTACLES, ETC. BEFORE INSTALLATION.
- CONTRACTORS SHALL PROVIDE ALL REQUIRED SLEEVES AND SEALS FOR PIPES OR CONDUIT PENETRATING WALLS OR FLOOR SLABS WITH FIRE STOPPING SEALANT WHERE REQUIRED.
- ALL FLOOR MOUNTED MECHANICAL AND ELECTRICAL EQUIPMENT SHALL BE INSTALLED ON A CONCRETE HOUSING/CEILING PAD.
- ELECTRICAL CONDUITS & BOXES TO BE CONCEALED IN WALLS OR ABOVE CEILING WHENEVER POSSIBLE.
- COORDINATE ALL PIPING AND CONDUITS LEAVING THE BUILDING WITH THE SITE CONTRACTOR(S) BEFORE INSTALLATION.
- PROVIDE VIBRATION ISOLATION FOR ALL MECHANICAL EQUIPMENT.
- PROVIDE VIBRATION ISOLATORS FOR ALL PIPING SUPPORTS CONNECTED TO AND WITHIN 50 FEET OF ISOLATED EQUIPMENT THROUGHOUT MECHANICAL EQUIPMENT ROOMS.
- LOCATE ALL TEMPERATURE, PRESSURE AND FLOW MEASURING DEVICES IN ACCESSIBLE LOCATIONS WITH STRAIGHT SECTION OF PIPE OR DUCT UP/DOWN STREAM AS RECOMMENDED BY THE MANUFACTURER FOR GOOD ACCURACY.
- PROVIDE ACCESS PANELS FOR ISOLATION IN WALLS AND CEILINGS, WHERE REQUIRED, TO SERVICE DAMPERS, VALVES, SMOKE DETECTORS AND OTHER CONCEALED MECHANICAL EQUIPMENT.
- ALL EQUIPMENT, PIPING, DUCT WORK SHALL BE SUPPORTED AS DETAILED, SPECIFIED AND REQUIRED TO PROVIDE A VIBRATION FREE INSTALLATION.
- LOCATION AND SIZES OF ALL FLOOR, WALL AND ROOF PENETRATIONS SHALL BE COORDINATED WITH ALL OTHER TRADES INVOLVED.

RENOVATION

- THIS PROJECT IS A RENOVATION OF AN EXISTING FACILITY. IT IS THE INTENT OF THE RENOVATION DRAWING TO LEAVE ALL MATERIALS OUTSIDE THE LIMITS OF THIS CONTRACT IN EXISTING OPERATING CONDITION.
- BEFORE SUBMITTING HIS BID THE CONTRACTOR SHALL VISIT THE SITE AND BECOME THOROUGHLY FAMILIAR WITH THE EXISTING CONDITIONS UNDER WHICH THE PROJECT IS TO BE COMPLETED.
- THE CONTRACTOR SHALL BE HELD RESPONSIBLE FOR ANY ASSUMPTIONS, OMISSIONS OR ERRORS HE MAKES AS A RESULT OF HIS FAILING TO BECOME FULLY FAMILIAR WITH THE EXISTING CONDITIONS.
- IT IS NOT THE INTENT OF THESE DRAWINGS TO SHOW EVERY PIECE OF EQUIPMENT, PIPING OR CONDUIT TO BE REMOVED. EQUIPMENT NOT BEING USED SHALL BE REMOVED INCLUDING ALL ASSOCIATED HANGERS, SUPPORTS, PIPES, DUCTS, CONDUITS, WIRES AND CONTROLS BACK TO THE POINT OF ORIGIN.
- NO EQUIPMENT, PIPING OR CONDUIT SHALL BE ABANDONED IN PLACE UNLESS SPECIFICALLY NOTED.
- PROPERLY DISPOSE OF ALL DEMOLISHED EQUIPMENT AND MATERIALS IN COMPLIANCE WITH CODES AND REGULATIONS.
- RELOCATE EXISTING EQUIPMENT, PIPING, WIRING AND RELATED SYSTEMS TO REMAIN AS REQUIRED FOR CONSTRUCTION. EXTEND FEEDERS/FORWART AND PROVIDE RECONNECTIONS FOR SYSTEM TO BE FULLY OPERATIONAL. ALL RELOCATED EQUIPMENT SHALL BE PROTECTED DURING CONSTRUCTION.
- PROVIDE TEMPORARY CONNECTIONS AND SYSTEM MODIFICATIONS AS REQUIRED FOR CONSTRUCTION.
- INCLUDE ALL WORK REQUIRED TO ALLOW PHASED CONSTRUCTION WHERE NECESSARY. COORDINATE WITH GENERAL CONTRACTOR/CONSTRUCTION MANAGER FOR PHASING REQUIREMENTS.
- ALL EXISTING EQUIPMENT, DIFFUSERS, FIXTURES AND DEVICES ASSOCIATED WITH MECHANICAL AND/OR ELECTRICAL ON WALLS AND CEILINGS TO BE DEMOLISHED SHALL BE REMOVED UNLESS OTHERWISE SPECIFIED. FIELD VERIFY FOR EXACT LOCATIONS AND QUANTITY OF ITEMS BEING REMOVED. COORDINATE WITH ARCHITECTURAL PLANS FOR SCOPE AREA OF RENOVATION AND CONSTRUCTION.
- GENERAL CONTRACTOR IS RESPONSIBLE OF PATCHING, REPAIRING, CARPING, ETC. PER DEMOLITION AND CONSTRUCTION.
- REBALANCE EXISTING AIR AND WATER SYSTEMS ASSOCIATED WITH RENOVATIONS, INCLUDING ALL RENOVATED AREAS AND ALL AREAS AFFECTED BY SYSTEM MODIFICATIONS.

PLUMBING

- IT IS NOT THE INTENT OF THE DRAWINGS TO SHOW INDIVIDUAL BRANCH PIPING TO EACH PLUMBING FIXTURE. ONLY BRANCH PIPING TO GROUPS OF FIXTURES IS INDICATED. EACH AND EVERY FIXTURE SHALL BE PROPERLY PIPED TO WATER, WASTE AND VENT PIPING SYSTEMS. FOR INDIVIDUAL PIPE SIZES TO EACH FIXTURE, REFER TO THE PLUMBING FIXTURE SCHEDULE.
- PIPING LAYOUTS AS INDICATED ON THE DRAWINGS ARE DIAGNOSTIC. PROVIDE ADDITIONAL FITTINGS AND OFFSETS AS REQUIRED FOR COORDINATION WITH BUILDING CONSTRUCTION AND THE WORK OF OTHER TRADES.
- PROVIDE CONDENSATE DRAINS FOR ALL COOLING COILS; PIPE BY GRAVITY TO INDIRECT WASTE OR IF GRAVITY DRAINAGE IS NOT POSSIBLE, PROVIDE A CONDENSATE REMOVAL PUMP, WIRED TO LOCAL POWER CIRCUIT AND PIPED TO INDIRECT WASTE.
- COORDINATE MOUNTING HEIGHTS OF PLUMBING FIXTURES WITH ARCHITECTURAL DRAWINGS.
- PROVIDE SHUT OFF VALVES IN ALL DOMESTIC WATER PIPING SYSTEM BRANCHES IN WHICH BRANCH PIPING SERVES TWO OR MORE FIXTURES.
- ALL PIPING SHALL GRADE TO LOW POINTS. PROVIDE HOSE AND DRAIN VALVES AT THE BOTTOM OF ALL RISERS AND LOW POINTS.
- UNIONS AND/OR FLANGES SHALL BE INSTALLED AT EACH PIECE OF EQUIPMENT, IN BYPASSES AND IN LONG PIPING RUNS (100 FEET OR MORE) TO PERMIT DISASSEMBLY FOR ALTERATION AND REPAIRS.
- PROVIDE ALL PLUMBING FIXTURES AND EQUIPMENT WITH ACCESSIBLE STOPS.
- INSTALL PIPING SO THAT ALL VALVES, STRAINERS, UNIONS, TRAPS, FLANGES AND OTHER APPURTENANCES REQUIRING ACCESS ARE ACCESSIBLE.
- PROVIDE CLEANOUTS IN SANITARY DRAINAGE SYSTEM AT ENDS OF RUNS, AT CHANGES IN DIRECTION, NEAR THE BASE OF STACKS, EVERY 50 FEET IN HORIZONTAL RUNS AND ELSEWHERE AS INDICATED.
- ALL CLEANOUTS SHALL BE FULL SIZE OF PIPE FOR PIPE 6 INCHES AND SMALLER AND SHALL BE 6 INCHES FOR PIPE SIZES LARGER THAN 6 INCHES.
- ALL PIPING WORK SHALL BE COORDINATED WITH ALL TRADES INVOLVED. OFFSETS IN PIPING AROUND OBSTRUCTIONS SHALL BE PROVIDED AT NO ADDITIONAL COST TO THE OWNER.
- PROVIDE FLEXIBLE CONNECTIONS IN ALL PIPING SYSTEMS CONNECTED TO PUMPS AND OTHER EQUIPMENT WHICH REQUIRED VIBRATION ISOLATION, EXCEPT WATER COILS. FLEXIBLE CONNECTIONS SHALL BE PROVIDED AS CLOSE TO THE EQUIPMENT AS POSSIBLE.

HVAC

- PIPING AND DUCT WORK LAYOUTS AS INDICATED ON THE DRAWINGS ARE DIAGNOSTIC. PROVIDE ADDITIONAL TRANSFORMERS AND OFFSETS AS REQUIRED FOR COORDINATION WITH BUILDING CONSTRUCTION AND THE WORK OF OTHER TRADES.
- PROVIDE VOLUME DAMPERS, THROTTLING VALVES AND ISOLATION VALVES AS SPECIFIED AND AS INDICATED ON THE DRAWINGS.
- PROVIDE FIRE DAMPERS AT DUCT PENETRATIONS OF FIRE RATED PARTITIONS.
- THE AUTOMATIC TEMPERATURE CONTROL SYSTEM SHALL BE COMPLETE IN ALL REGARDS, TESTED AND CAPABLE OF ACHIEVING THE SEQUENCES OF OPERATION. ALL DEVICES SHALL BE UNDER SYSTEM CONTROL. ALL ZONES SHALL BE THERMOSTATICALLY CONTROLLED WHETHER OR NOT A THERMOSTAT, SENSOR OR CONTROLLER IS INDICATED.
- MAINTAIN MANUFACTURER'S RECOMMENDED MINIMUM CLEARANCES FOR INSTALLATION OF EQUIPMENT.
- FLEX DUCT RUNS SHALL NOT BE LONGER THAN 5 FT.
- PROVIDE VOLUME DAMPERS AT ALL SUPPLY DIFFUSERS, OUTSIDE AIR INTAKE AND RELIEF DUCTS AND EXHAUST GRILLES.
- PROVIDE VANDAL RESISTANT COVERS FOR ALL THERMOSTATS.
- ALL DUCTWORK DIMENSIONS, AS SHOWN ON THE DRAWINGS, ARE INTERNAL CLEAR DIMENSIONS AND DUCT SIZE SHALL BE INCREASED TO COMPENSATE FOR DUCT LINING THICKNESS.
- COORDINATE DIFFUSERS, REGISTER AND GRILLE LOCATIONS WITH ARCHITECTURAL REFLECTED CEILING PLANS, LIGHTING AND OTHER CEILING ITEMS.
- FINNED TUBE RADIATION ENCLOSURES SHALL BE WALL TO WALL UNLESS OTHERWISE NOTED.
- PROVIDE FLEXIBLE CONNECTIONS IN ALL DUCTWORK SYSTEMS CONNECTED TO AIR HANDLING UNITS, FANS AND OTHER EQUIPMENT WHICH REQUIRE VIBRATION ISOLATION. FLEXIBLE CONNECTIONS SHALL BE AT THE POINT OF CONNECTION TO THE EQUIPMENT UNLESS OTHERWISE INDICATED.
- ALL DUCTWORK SHALL BE COORDINATED WITH ALL TRADES INVOLVED. OFFSETS IN DUCTS, INCLUDING DAMPED DUCTS AND TRANSITIONS AND REGISTERINGS, SHALL BE PROVIDED AT NO ADDITIONAL COST TO THE OWNER.
- PROVIDE ACCESS DOORS IN DUCTWORK TO PROVIDE ACCESS FOR ALL SMOKE DETECTORS, FIRE DAMPERS, SMOKE DAMPERS, VOLUME DAMPERS, COILS AND OTHER ITEMS LOCATED IN DUCTWORK WHICH REQUIRE SERVICE OR INSPECTION.
- PROVIDE ACCESS DOORS IN DUCTWORK FOR OPERATION, ADJUSTMENT AND MAINTENANCE OF ALL FANS, VALVES AND OTHER EQUIPMENT.
- PROVIDE FLEXIBLE DUCT CONNECTIONS TO ALL MECHANICAL AIR MOVING DEVICES.

PIPING

- UNLESS OTHERWISE NOTED, ALL PIPING IS OVERHEAD, TIGHT TO UNDERSIDE OF STRUCTURE OR SLAB, WITH SPACE FOR INSULATION IF REQUIRED.
- INSTALL PIPING SO THAT ALL VALVES, STRAINERS, UNIONS, TRAPS, FLANGES AND OTHER APPURTENANCES REQUIRING ACCESS ARE ACCESSIBLE.
- UNIONS AND/OR FLANGES SHALL BE INSTALLED AT EACH PIECE OF EQUIPMENT, IN BYPASSES AND IN LONG PIPING RUNS (100 FEET OR MORE) TO PERMIT DISASSEMBLY FOR ALTERATION AND REPAIRS.
- ALL PIPING WORK SHALL BE COORDINATED WITH ALL TRADES INVOLVED. OFFSETS IN PIPING AROUND OBSTRUCTIONS SHALL BE PROVIDED AT NO ADDITIONAL COST TO THE OWNER.
- PROVIDE FLEXIBLE CONNECTIONS IN ALL PIPING SYSTEMS CONNECTED TO PUMPS AND OTHER EQUIPMENT WHICH REQUIRED VIBRATION ISOLATION, EXCEPT WATER COILS. FLEXIBLE CONNECTIONS SHALL BE PROVIDED AS CLOSE TO THE EQUIPMENT AS POSSIBLE.

ELECTRICAL

- CONTRACTOR SHALL COORDINATE THE LOCATION AND QUANTITY OF ALL MECHANICAL EQUIPMENT WITH THE MECHANICAL CONTRACTOR. PROVIDE POWER WIRING FOR ALL EQUIPMENT. REFER TO MECHANICAL DRAWINGS FOR ADDITIONAL LOCATIONS AND INFORMATION.
- ALL FIXTURES SHALL BE SUPPORTED INDEPENDENTLY OF THE FINISHED CEILING/STRUCTURE AND SHALL BE SEISMICALLY SUPPORTED AS REQUIRED BY CODE AND THE AUTHORITY HAVING JURISDICTION.
- ALL BRANCH CIRCUIT WIRING SHOWN IS DIAGNOSTIC. EXACT ROUTING SHALL BE FIELD COORDINATED TO CLEAR THE WORK OF OTHER TRADES.
- IT IS NOT THE INTENTION TO SHOW EVERY FITTING, HANGER, WIRE OR DEVICE. ALL SUCH ITEMS SHALL BE FURNISHED AND INSTALLED AS NECESSARY FOR A COMPLETE SYSTEM.
- ALL RECEPTACLES LOCATED WITHIN 6" OF SINKS AND ALL WET LOCATIONS SHALL BE GFI TYPE.
- PROVIDE POWER FEED FROM PANEL WITH SUFFICIENT CAPACITY AND SPACE FOR ALL MISCELLANEOUS SYSTEMS. THESE SYSTEMS SHALL INCLUDE, BUT ARE NOT LIMITED TO, MONITORING SYSTEMS, CONTROL PANEL, ANNUNCIATOR PANELS, PLUMBING ACCESSORIES, ETC. CONTRACTOR SHALL FURNISH AND INSTALL ALL BRANCH CIRCUIT WIRING AND CIRCUIT BREAKERS FOR ALL EQUIPMENT SHOWN AS REQUIRED.
- ALL SWITCHES, RECEPTACLES AND EQUIPMENT SHALL BE PROPERLY LABELED.
- CONTRACTOR SHALL DETERMINE THE QUANTITY OF CONDUCTORS REQUIRED FOR PROPER OPERATION OF ALL SWITCHING SCHEMES.
- NO CONDUIT SHALL BE ALLOWED IN CONCRETE SLABS, UNLESS SPECIFICALLY APPROVED BY THE STRUCTURAL ENGINEER.
- LABEL ALL UNUSED BREAKERS AS SPARE AND TRIP TO THE OFF POSITION.
- ELECTRICAL DEMOLITION TO BE SUPERVISED BY LICENSED ELECTRICAL CONTRACTOR. EACH CIRCUIT TO BE VERIFIED "TOLD" & DISCONNECTED FROM ELECTRICAL SERVICE PRIOR TO COMMENCING REMOVAL.
- VERIFY & COORDINATE ALL ELECTRICAL DEVICES BEING REMOVED FOR DISCONNECTING FEED AND REMOVING ASSOCIATED WIRING AND CONDUIT BACK TO PANELBOARD OR SOURCE.
- WHERE ELECTRICAL EQUIPMENT & DEVICES ARE BEING REMOVED, COORDINATE AND FIELD VERIFY IF BRANCH CIRCUIT FEEDS THRU EQUIPMENT/DEVICE BEING REMOVED TO EQUIPMENT/DEVICE TO REMAIN. BRANCH CIRCUITS SHALL BE SPLICED OR RELOCATED TO MAINTAIN COORDINATION OF SERVICES.
- ALL EXISTING PANELBOARD DIRECTORIES SHALL BE UPDATED TO INCLUDE ALL EXISTING, ALL NEW, AND ALL SPARE CIRCUITS.
- WHERE EXISTING DEVICES ARE REMOVED & NO NEW DEVICES ARE INSTALLED IN THE SAME LOCATION, REMOVE ALL WIRING FROM BOX & PROVIDE PROPERLY SIZED BLANK COVER PLATE.
- ALL REMOVED COMPONENTS SHALL BE LEGALLY DISPOSED OF BY CONTRACTOR UNLESS SPECIFICALLY NOTED OTHERWISE.
- COORDINATE WITH ALL OWNERS POWER EQUIPMENT TO REMAIN. PROVIDE NEW CONDUIT, RECEPTACLE AND/OR TELEPHONE AT NEW LOCATIONS. USE SPARE BREAKERS IN PANELBOARDS.
- ALL DEVICE COLORS SHALL BE COORDINATED WITH ARCHITECT BEFORE PURCHASING.
- ALL FIRE ALARMS SHALL BE MANUFACTURED BY BONECO OR EQUIVALENT. THE BALLAST SHALL MONITOR THE CIRCUIT AHEAD OF ANY SWITCHES.
- ALL OUT STANDING EMERGENCY LIGHTS AND NIGHT LIGHTS SHALL BE WIRED TO THE ROOM LIGHTING BRANCH CIRCUIT AHEAD OF ANY SWITCHES.
- CONTRACTOR SHALL COORDINATE THE LOCATION OF ALL DUCT SMOKE WITH THE MECHANICAL CONTRACTOR. ALL BOXES SHALL BE WIRED TO THE FIRE ALARM SYSTEM.
- CONTRACTOR SHALL COORDINATE THE LOCATION AND QUANTITY OF ALL SPRINKLER SYSTEM TAMPER, FLOW AND PRESSURE SWITCHES WITH THE SPRINKLER CONTRACTOR. WIRE ALL THE DEVICES TO THE FIRE ALARM SYSTEM.

FIRE PROTECTION

- THIS CONTRACT INCLUDES A PERFORMANCE SPECIFICATION FOR THE ENTIRE FIRE PROTECTION SYSTEM. PROVIDE ALL PIPING, SUPPORT AND EQUIPMENT FOR A COMPLETE FULL COVERAGE SYSTEM IN COMPLIANCE WITH NFPA, STATE AND LOCAL CODES. THE OWNER'S INSURANCE COMPANY AND THE AUTHORITY HAVING JURISDICTION.
- SPRINKLER HEAD LOCATIONS ARE SHOWN ON THE CONTRACT DOCUMENTS THEY ARE INDICATED FOR GENERAL COORDINATION PURPOSES ONLY AND DO NOT RELIEVE THE CONTRACTOR FROM FULL COMPLIANCE WITH THE APPLICABLE CODES AND AUTHORITIES. CONTRACTOR SHALL COORDINATE SPRINKLER HEAD LOCATIONS WITH THE LATEST ARCHITECTURAL REFLECTED CEILING PLANS AS REQUIRED.
- PIPING LAYOUTS AS INDICATED ON DRAWINGS ARE DIAGNOSTIC. PROVIDE ADDITIONAL FITTINGS AND OFFSETS AS REQUIRED FOR COORDINATION WITH BUILDING CONSTRUCTION AND THE WORK OF OTHER TRADES.

PHASING NOTES

- WORK SHALL BE PHASED TO ALLOW OWNER TO CONTINUE BUSINESS OPERATIONS DURING THE CONSTRUCTION PERIOD. COORDINATE WORK WITH OWNER AND GENERAL CONTRACTOR TO ALLOW SUFFICIENT TIME TO RELOCATE OPERATIONS WITHIN THE BUILDING PRIOR TO COMMENCING WORK IN AREAS AFFECTED BY DEMOLITION OR NEW CONSTRUCTION.
- WORK REQUIRING INTERRUPTION OF ESSENTIAL BUILDING SERVICES SHALL BE PERFORMED DURING UNOCCUPIED PERIODS (AFTER BUSINESS HOURS). ESSENTIAL SERVICES SHALL INCLUDE BUT NOT BE LIMITED TO VENTILATION, WATER AND COLD SERVICE, POWER, TELECOMMUNICATIONS, HEATING AND AIR CONDITIONING. SHALL BE CONSIDERED TO BE ESSENTIAL WHEN CONDITIONS WILL CAUSE TEMPERATURES IN THE BUILDING TO FALL BELOW 65°F OR EXCEED 75°F.

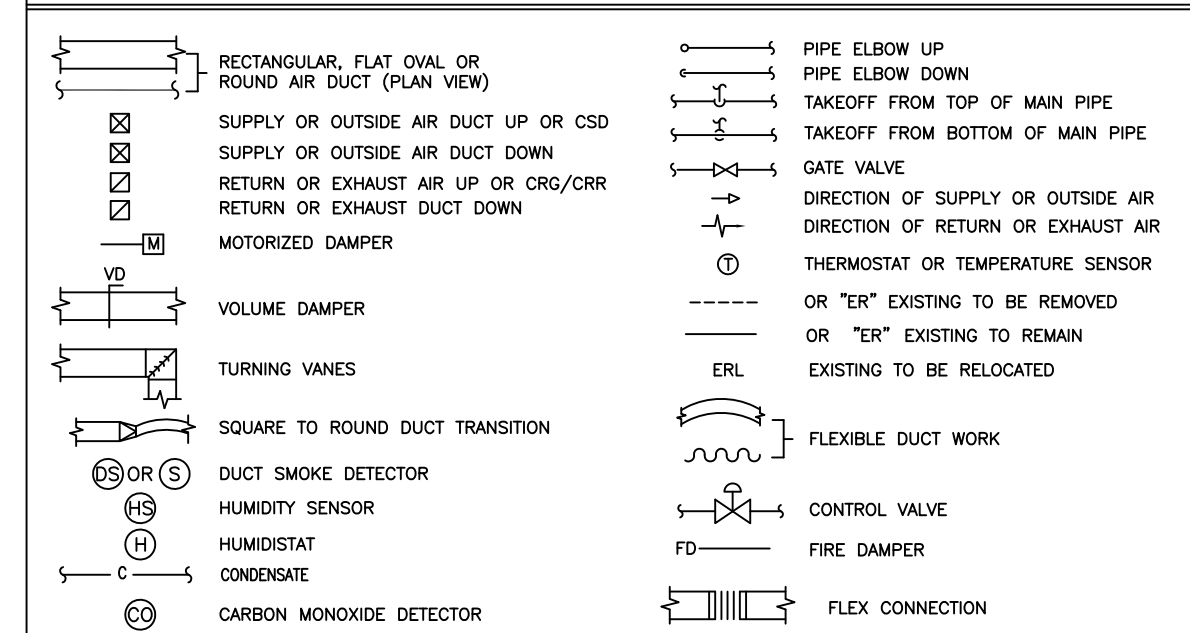
PLUMBING ABBREVIATIONS

(NOT ALL SYMBOLS ARE USED)

AFF	ABOVE FINISHED FLOOR	S	SANITARY WASTE
C	CONDENSATE	RWL	RAINWATER LEADER
CO	CLEANOUT	UP	UPRAMP
OW	COLD WATER	V	VENT
DF	DRINKING FOUNTAIN	YR	VENT THRU ROOF
EW	ELECTRIC WATER COOLER	W	WASTE
FD	FLOOR DRAIN	WC	WATER CLOSET
FT	FEET	WCO	WALL CLEAN OUT
HW	HOT WATER	WHA	WATER HAMMER ARRESTOR
HWR	HOT WATER RECYCULATING		
LA	LABORATORY		

MECHANICAL LEGEND

(NOT ALL SYMBOLS ARE USED)



MECHANICAL ABBREVIATIONS

(NOT ALL SYMBOLS ARE USED)

AFF	ABOVE FINISHED FLOOR	HW	HOT WATER
C	CONDENSATE	HWR	HOT WATER RETURN
CA	COMPRESSED AIR	HWS	HOT WATER SUPPLY
CER	CEILING EXHAUST REGISTER	MAX	MAXIMUM
CFM	CUBIC FEET PER MINUTE	MBH	BTU PER HOUR (THOUSAND)
CHWS	CHILLED WATER RETURN	MIN	MINIMUM
CHWS	CHILLED WATER SUPPLY	NTS	NOT TO SCALE
CO	CLEANOUT	OA	OUTSIDE AIR
CR	STEAM CONDENSATE RETURN	OB	OPPOSED BLADE DAMPER
CU	CONDENSING UNIT	RA	RETURN AIR
CSD	CEILING SUPPLY DIFFUSER	RG	RETURN GRILLE
CW	COLD WATER	REF	ROOF EXHAUST FAN
EAT	ENTERING AIR TEMPERATURE	RHH	ROOF INTAKE HOOD
EF	EXHAUST FAN	RTU	ROOF TOP UNIT
EG	EXHAUST GRILLE	SA	SUPPLY AIR
ESP	EXTERNAL STATIC PRESSURE (IN. WG.)	SAN	SANITARY WASTE
FCU	FAN COIL UNIT	SP	STATIC PRESSURE
FD	FIRE DAMPER	SPRK	FIRE PROTECTION PIPING
FOS	FUEL OIL SUPPLY	SS	STEAM SUPPLY
FOR	FUEL OIL RETURN	T*STAT	THERMOSTAT
G	GAS	V	VOLT
GPF	GALLONS PER FLUSH	VAC	VACUUM
GPH	GALLONS PER HOUR	VD	VOLUME DAMPER
GPM	GALLONS PER MINUTE		
HP	HORSEPOWER		

Project Title: RENOVATIONS TO:
GLENBROOK COMMUNITY CENTER
35 CRESCENT STREET
STAMFORD, CONNECTICUT 06906

Revision	Description	Date	Revised By:
AS	BUILT	1/4/2006	

Drawing Title: **GENERAL NOTES AND LEGENDS**

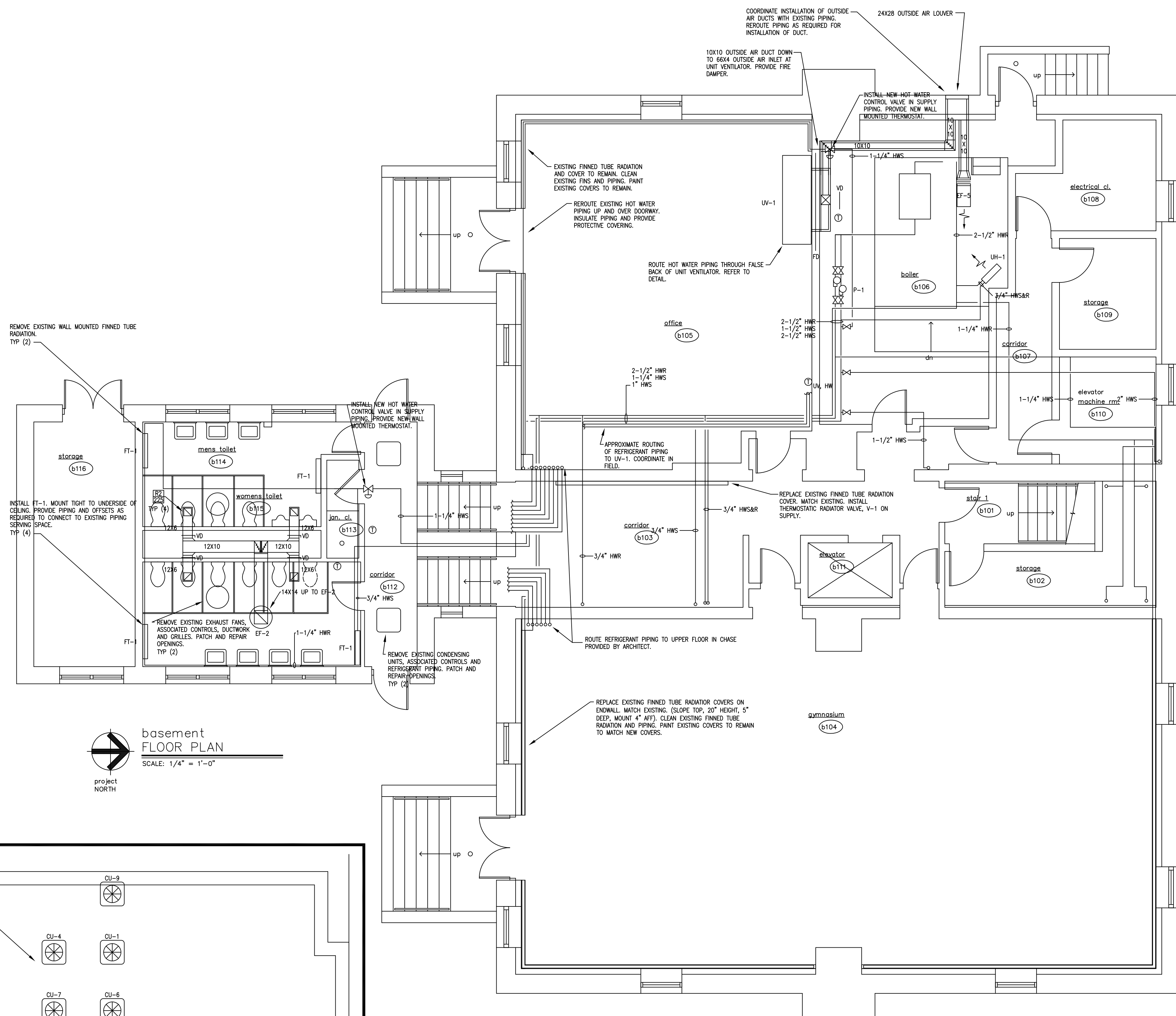
Date: MAY 25, 2004


Scale: 1/4" = 1'-0"

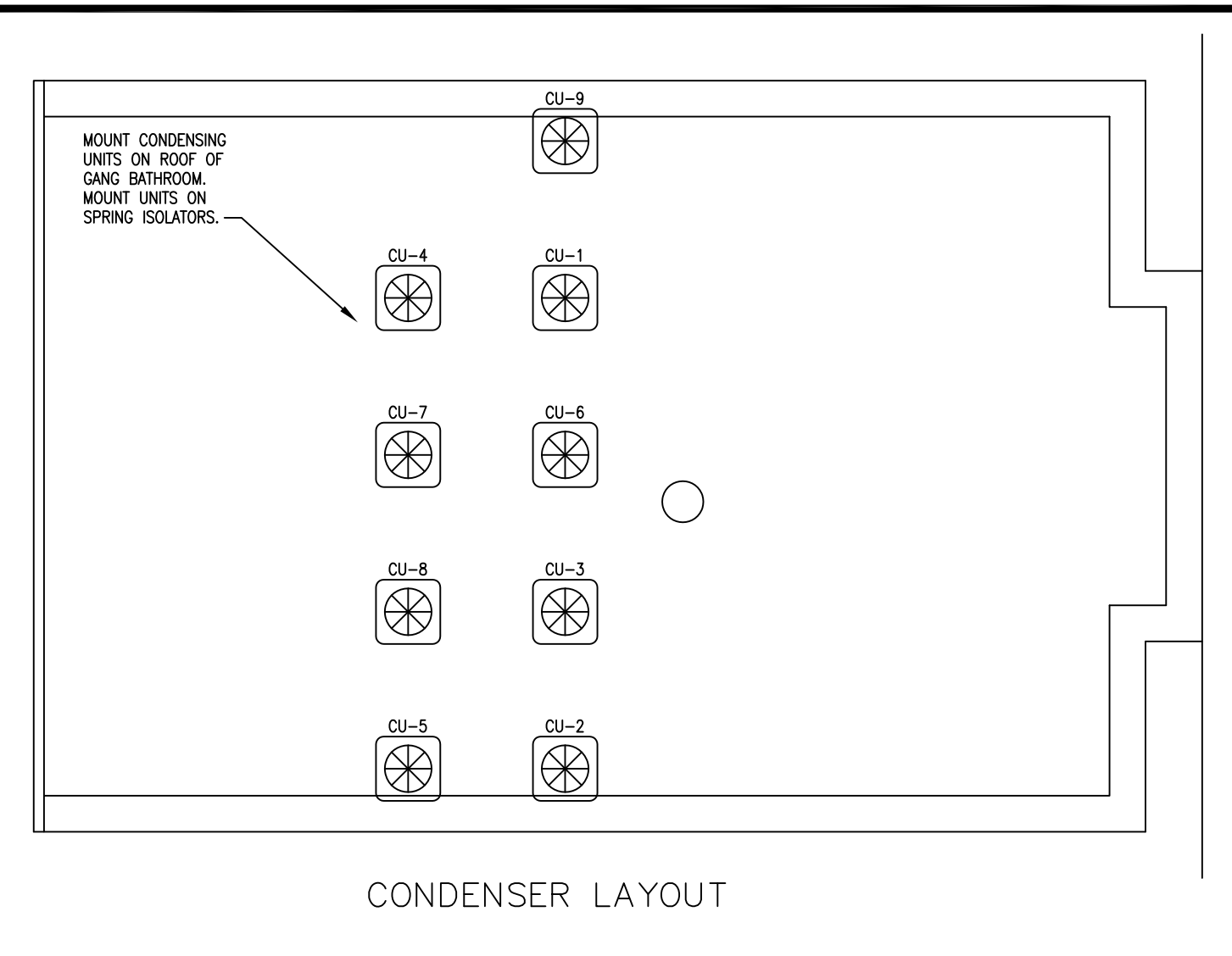
Drawn By:

Project Number:

ME1



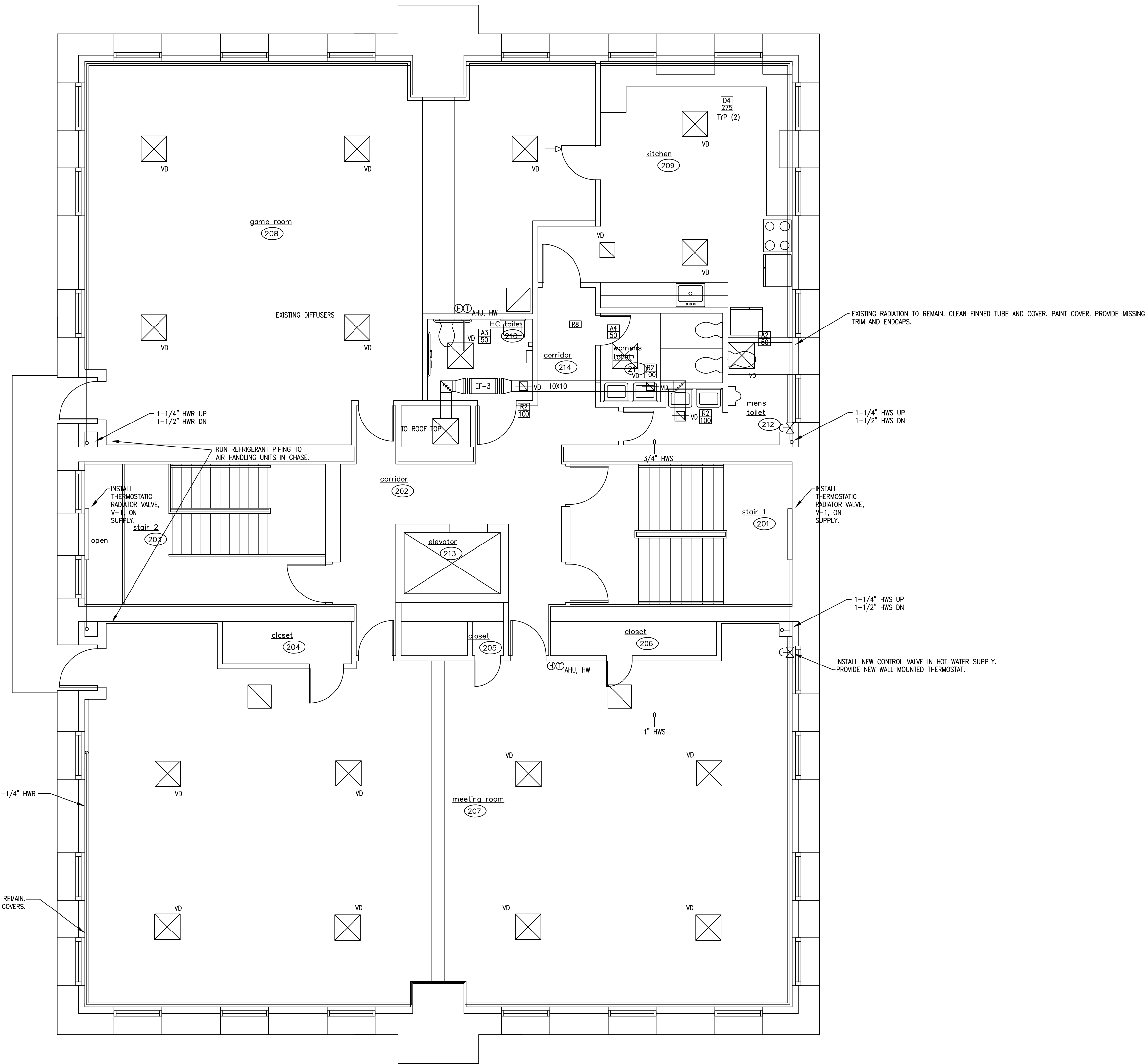

 basement
FLOOR PLAN
 SCALE: 1/4" = 1'-0"
 project
 NORTH



Project Title: **RENOVATIONS TO:
 GLENBROOK COMMUNITY CENTER**
 35 CRESCENT STREET
 STAMFORD, CONNECTICUT 06906

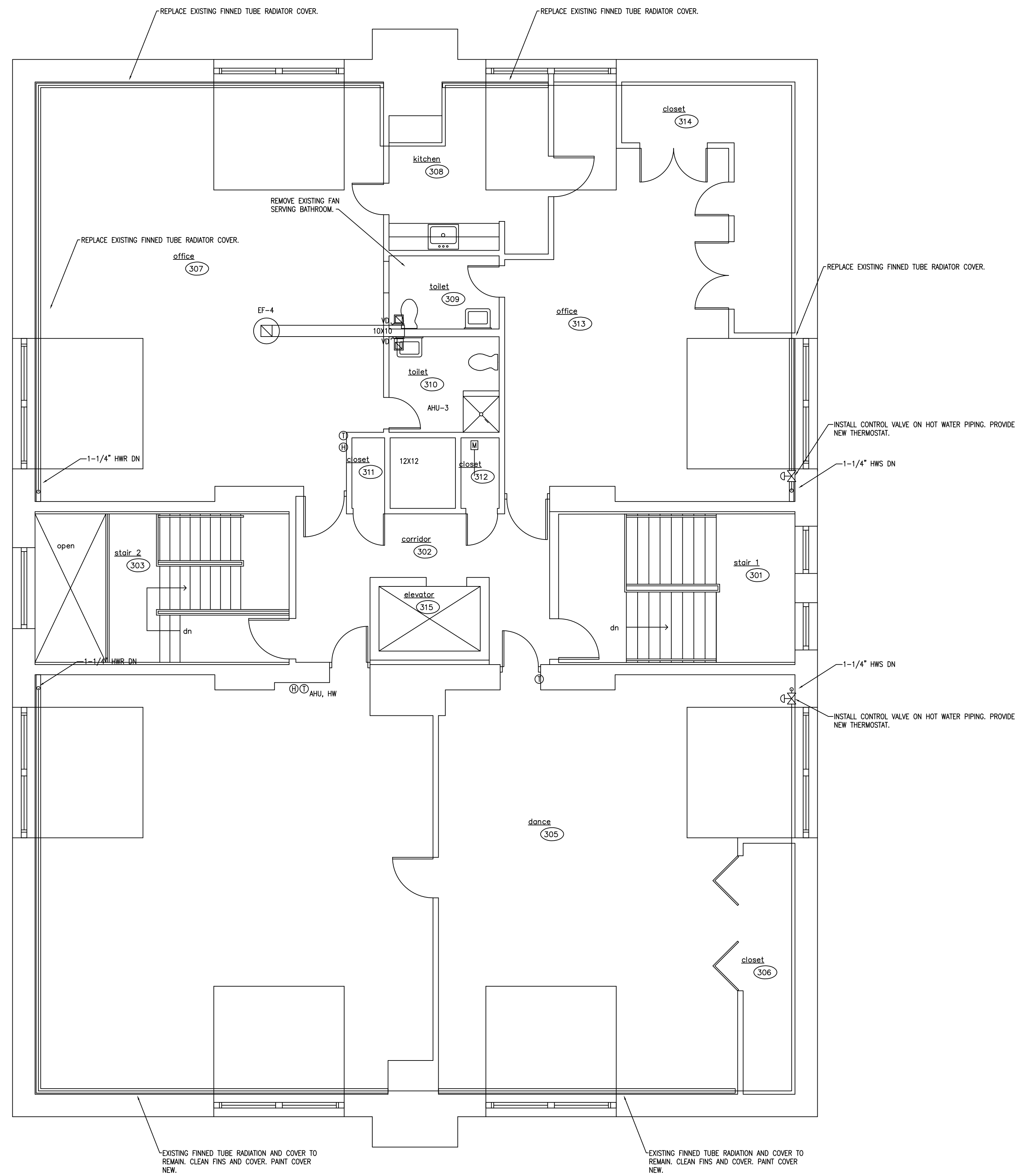
Revision	Description	Date	Revised By
AS BUILT		1/04/2006	

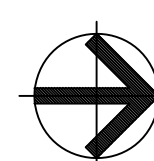
Drawing Title: **BASEMENT FLOOR
 MECHANICAL PLAN**
 Date: **MAY 25, 2004**
 Scale: 1/4" = 1'-0"
 Drawing Number: **M1**
 Project Number:



second FLOOR PLAN
SCALE: 1/4" = 1'-0"
project NORTH

Revision:	Description:	Date:	Revised By:
AS BUILT		1/04/2006	




 third
 FLOOR PLAN
 SCALE: 1/4" = 1'-0"
 project
 NORTH

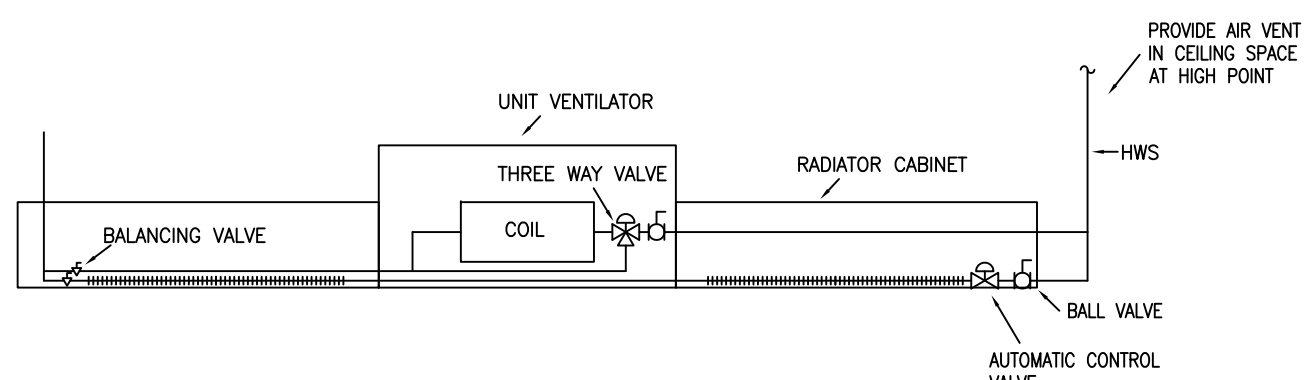
Project Title:
 RENOVATIONS TO:
GLENBROOK COMMUNITY CENTER
 35 CRESCENT STREET
 STAMFORD, CONNECTICUT 06906

Revision	Description	Date	Revised By
AS BUILT		1/04/2006	

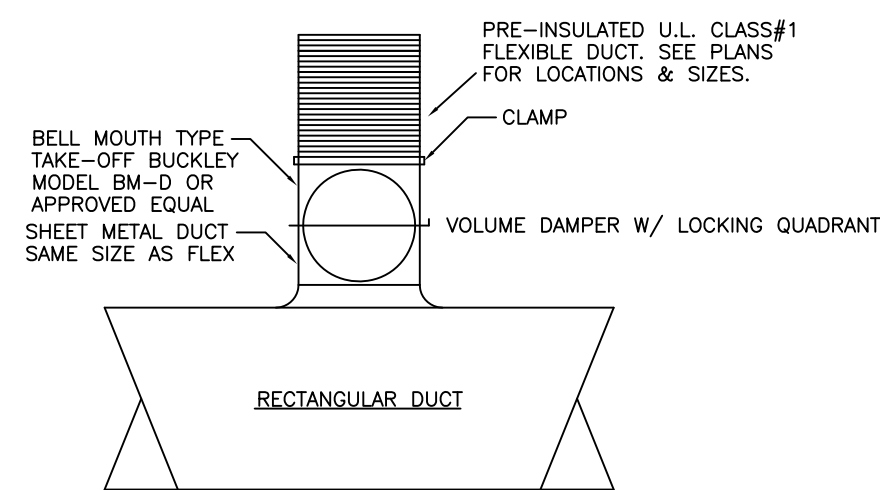
Drawing Title:
**THIRD FLOOR
 MECHANICAL PLAN**

Date: **MAY 25, 2004**
 Scale: 1/4" = 1'-0"
 Drawn By:
 Project Number:

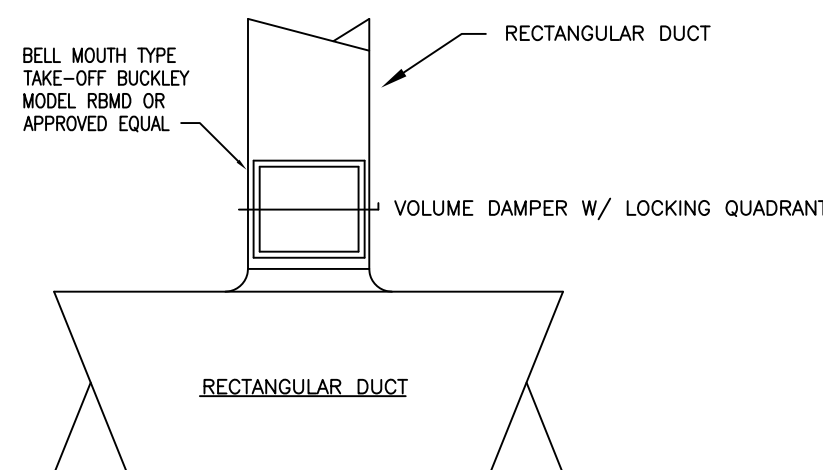
M4



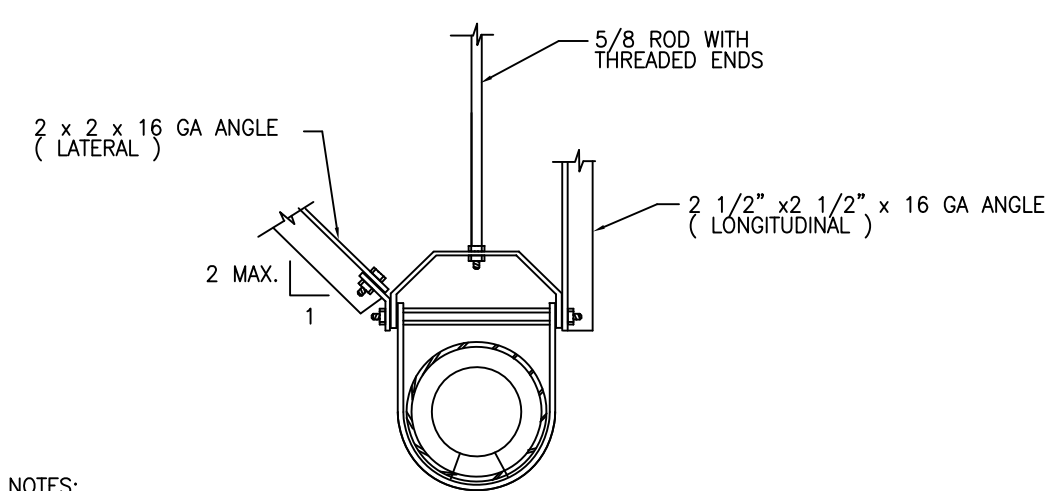
UNIT VENTILATOR/RADIATION DETAIL
NOT TO SCALE



BELL MOUTH TAKEOFF DETAIL
NOT TO SCALE



RECTANGULAR BELL MOUTH TAKEOFF DETAIL
NOT TO SCALE



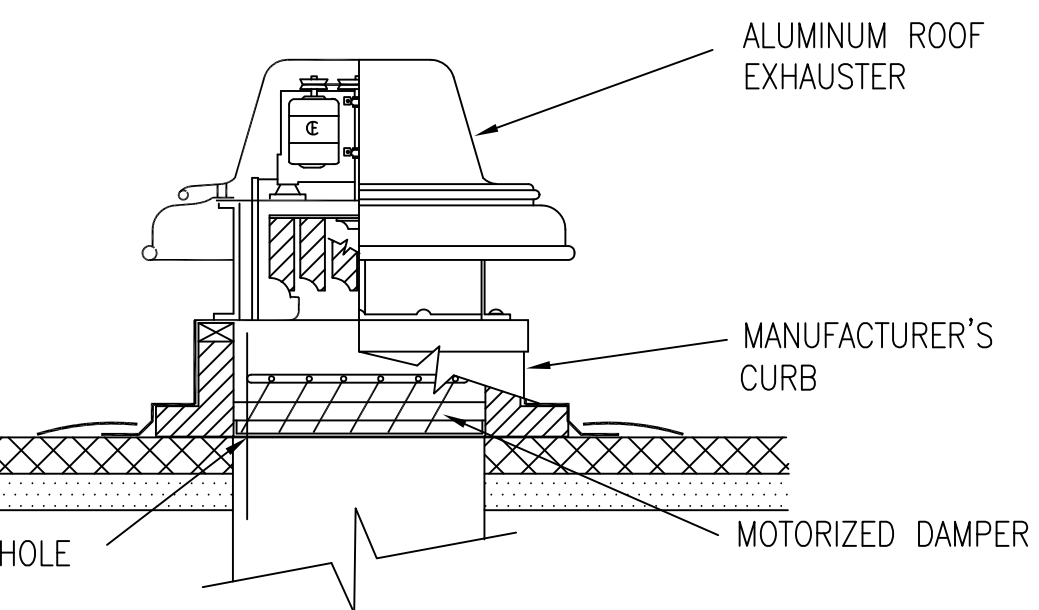
NOTES:

1. PROVIDE LONGITUDINAL AND LATERAL BRACING ON PIPING 2 1/2" AND GREATER. GAS PIPING 1 1/2" AND GREATER AND PIPING IN BOILER AND MECHANICAL ROOMS 1 1/4" AND GREATER, WHERE SUSPENDED 12" OR MORE FROM SUPPORTING STRUCTURE.
2. PROVIDE SIMILAR BRACING ON ALL DUCTWORK WITH CROSS-SECTIONAL AREA OF 6 SF OR GREATER OR DIAMETER OF 28 IN. OR GREATER WHERE SUSPENDED 12" OR MORE FROM SUPPORTING STRUCTURE.
3. MAKE END CONNECTIONS TO EXISTING STRUCTURAL STEEL WITH 1/2" BOLTS OR TO CONCRETE DECK PER CONNECTION TO CONCRETE DETAIL ABOVE.

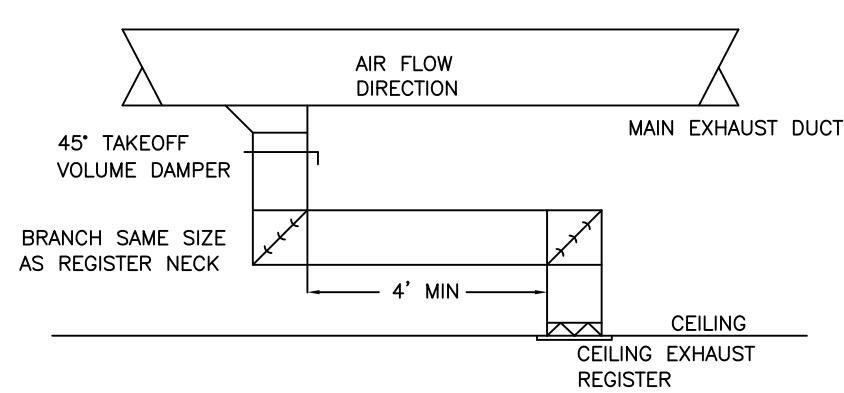
PIPE SUPPORT DETAIL
NOT TO SCALE

REGISTERS, GRILLES AND DIFFUSERS									
TAG	SIZE	TYPE	NECK Ø	CFM	MAX TOTAL PRESSURE (IN. WG)	MAX INQ	MANUFACTURER & MODEL NO.		
A	6X6	CEILING DIFFUSER	6"	0-120	0.131	21	METAL AIRE SERIES 5000/5500		
B	9X9	CEILING DIFFUSER	6"	121-155	0.103	21	METAL AIRE SERIES 5000/5500		
C	12X12	CEILING DIFFUSER	8"	156-245	0.080	20	METAL AIRE SERIES 5000/5500		
D	12X12	CEILING DIFFUSER	12"	246-390	0.092	20	METAL AIRE SERIES 5000/5500		
E	15X15	CEILING DIFFUSER	12"	391-471	0.085	22	METAL AIRE SERIES 5000/5500		
F	18X18	CEILING DIFFUSER	14"	472-640	0.080	22	METAL AIRE SERIES 5000/5500		
G	18X18	CEILING DIFFUSER	16"	641-977	0.109	29	METAL AIRE SERIES 5000/5500		
R1	6X6	RETURN GRILLE		0-105	0.050	20	METAL AIRE CCS		
R2	8X8	RETURN GRILLE		106-260	0.073	20	METAL AIRE CCS		
R3	10X10	RETURN GRILLE		261-355	0.054	20	METAL AIRE CCS		
R4	12X12	RETURN GRILLE		356-530	0.054	20	METAL AIRE CCS		
R5	14X14	RETURN GRILLE		531-735	0.054	20	METAL AIRE CCS		
R6	16X16	RETURN GRILLE		736-810	0.054	20	METAL AIRE CCS		
R7	20X20	RETURN GRILLE		811-1285	0.054	20	METAL AIRE CCS		
R8	22X22	RETURN GRILLE		1286-1570	0.054	20	METAL AIRE CCS		

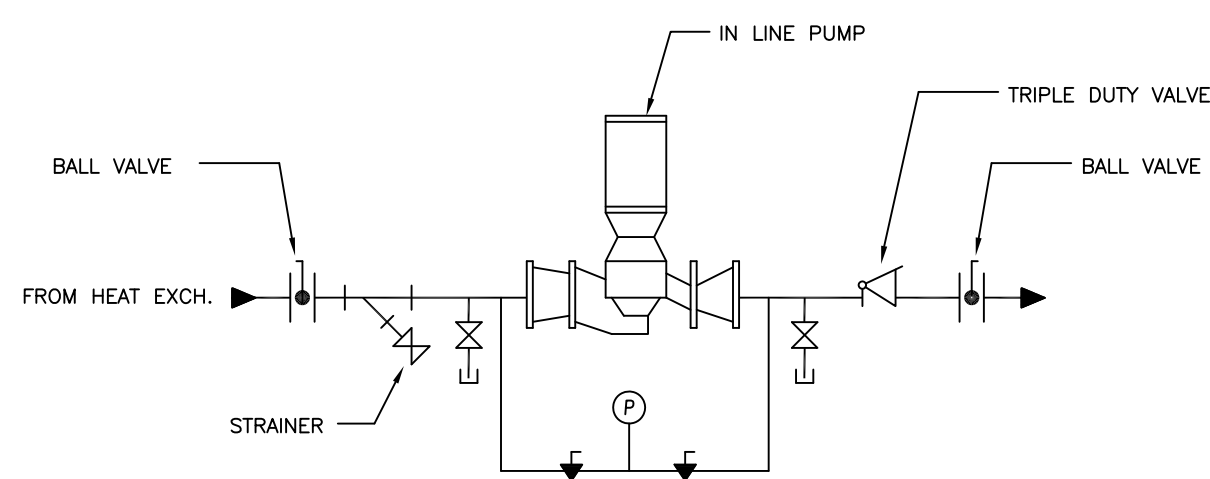
1. PROVIDE BORDER FOR LAY-IN OR SURFACE MOUNT AS REQUIRED.
2. DUCT RUNOUTS SHALL BE AS INDICATED ON PLAN.
3. AIR PATTERN INDICATED ON PLAN.
DIFFUSER LEGEND: TAG PATTERN: 1-WAY, 2-WAY, 3-WAY, 4-WAY
4. PROVIDE MFG'S SQUARE TO ROUND TRANSITION FOR DIFFUSERS. FLEX DUCT SHALL NOT EXCEED 5'. PROVIDE 2" FLEXIBLE DUCT CONNECTION BEHIND RETURNS UNLESS OTHERWISE NOTED.
5. PROVIDE AIR VOLUME DAMPERS FOR EACH SUPPLY, AS REQUIRED.



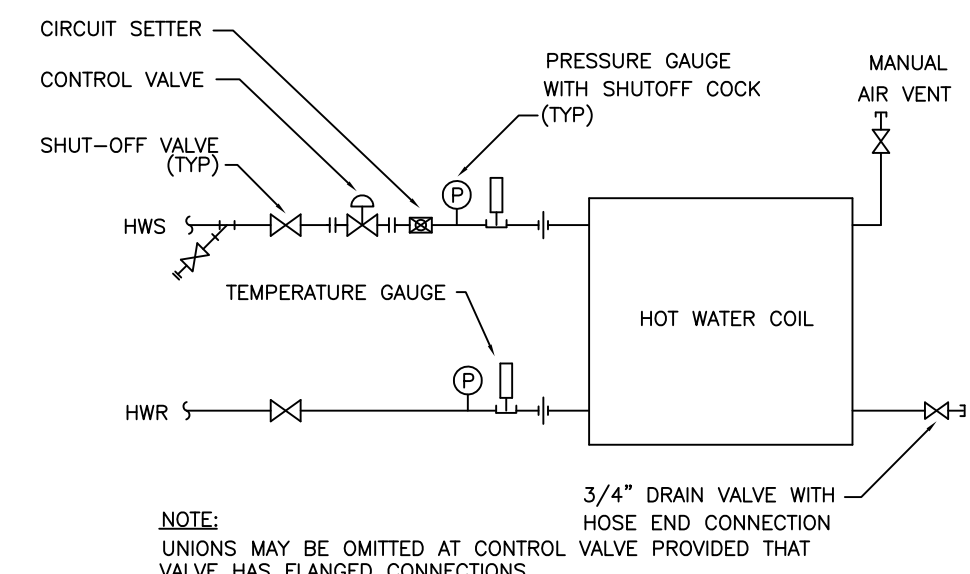
ROOF EXHAUST FAN DETAIL
NOT TO SCALE



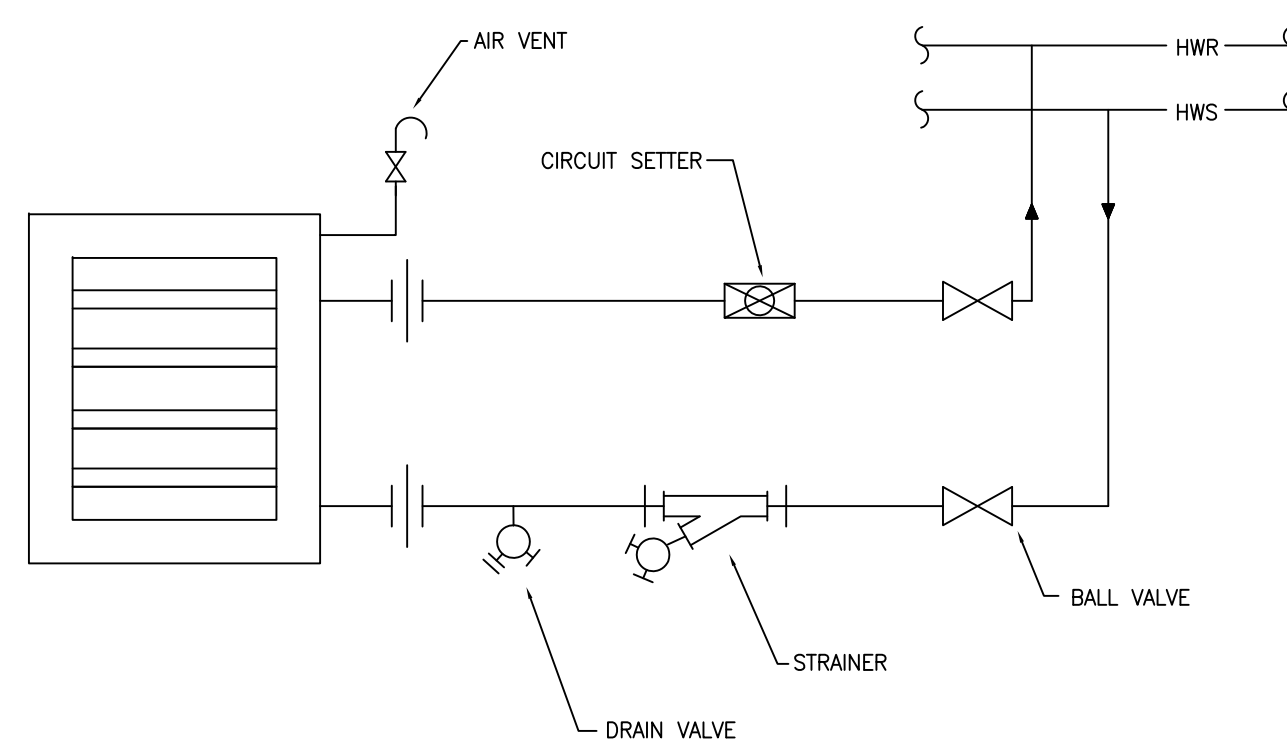
EXHAUST TAKEOFF DETAIL
NOT TO SCALE



IN-LINE PUMP DETAIL
NOT TO SCALE



HOT WATER COIL PIPING
NOT TO SCALE



HOT WATER UNIT HEATER PIPING DETAIL
NOT TO SCALE

EQUIPMENT SCHEDULE

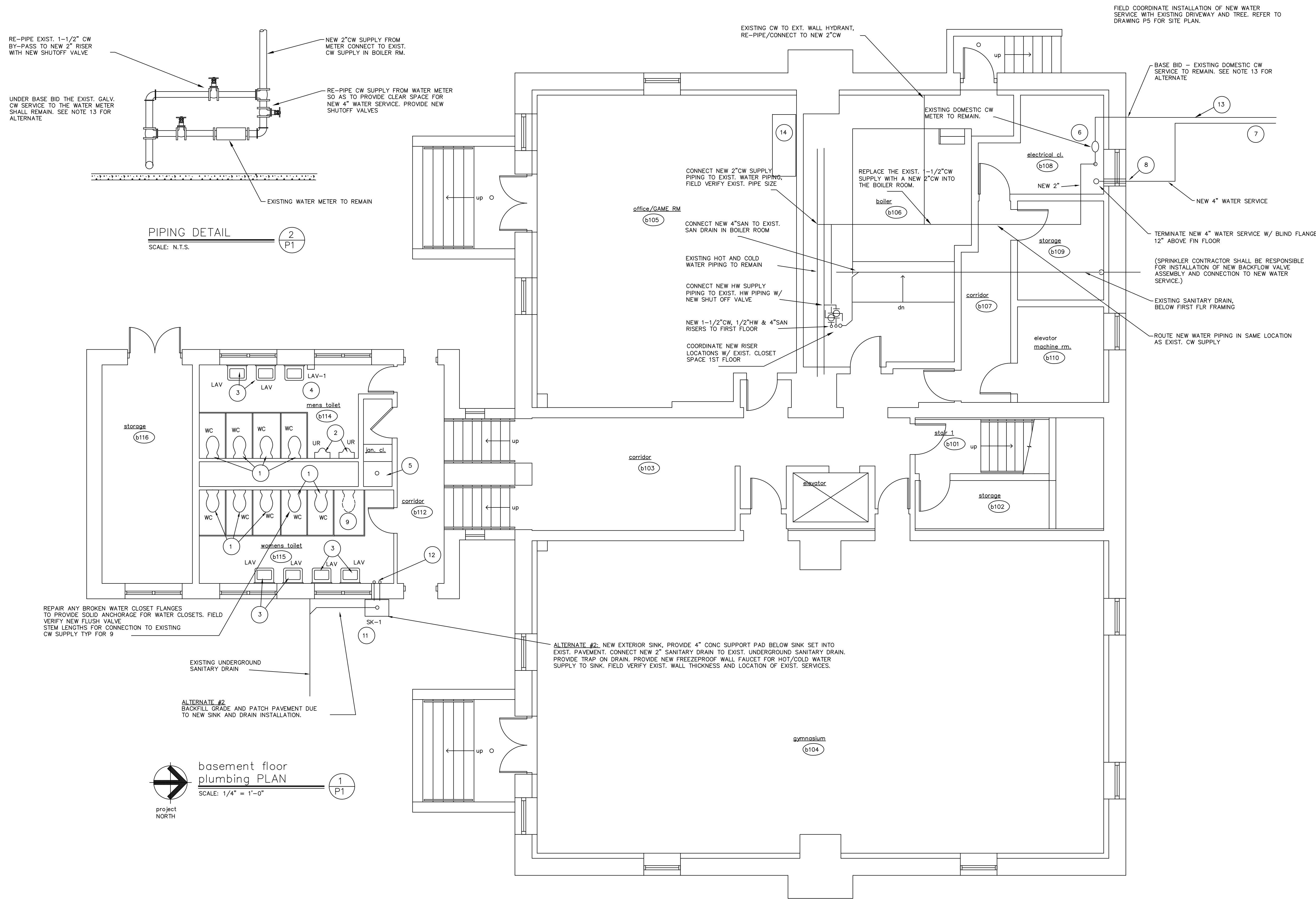
LV-1/CU-1 BASEMENT OFFICE	TRANE VAV125 VERTICAL UNIT VENTILATOR WITH HOT WATER COIL/DX COIL AND TTB030 CONDENSING UNIT SC/TC: 21.2 MBH/28.7 MBH HEATING: 3.32 GPM, 1.67 FT WPD, 66.45 MBH VAV: 120V/1A, MCA: 4.00 A CU: 208V/1A, MCA: 18 A, MOCP: 30 A PROVIDE WITH DISCONNECT, SUBBASE, 6" FALSE BACK, HYDRONIC COIL DRAIN PAN, FREEZE STAT, FRESH AIR AND RETURN AIR DAMPERS. PROVIDE 7 DAY PROGRAMMABLE, NIGHT SETBACK THERMOSTAT.
AHU-4, CU-6 CLASSROOM 110	TRANE TWE048 AIR HANDLING UNIT WITH TTB048 CONDENSING UNIT 1500 CFM SA, 500 CFM GA, AT 0.53" WG SC/TC: 31.5 MBH/46.6 MBH HOT WATER COIL: 0.25" WG PRESSURE DROP MAX, 500 FPM, 22"x22", 54.6 MBH, 5.6 GPM AHU: 208V/1A, 1/2 HP CU: 208V/1A, MCA: 30 A, MOCP: 50 A PROVIDE FREEZESTAT, 7 DAY PROGRAMMABLE, NIGHT SETBACK THERMOSTAT WITH VANDAL RESISTANT COVER.
AHU-5, CU-7 CLASSROOM 104	TRANE TWE048 AIR HANDLING UNIT WITH TTB048 CONDENSING UNIT 1500 CFM SA, 500 CFM GA, AT 0.53" WG SC/TC: 31.5 MBH/46.6 MBH HOT WATER COIL: 0.25" WG PRESSURE DROP MAX, 500 FPM, 22"x22", 54.6 MBH, 5.6 GPM AHU: 208V/1A, 1/2 HP CU: 208V/1A, MCA: 30 A, MOCP: 50 A PROVIDE FREEZESTAT, 7 DAY PROGRAMMABLE, NIGHT SETBACK THERMOSTAT WITH VANDAL RESISTANT COVER.
AHU-2, CU-4 SECOND FLOOR RE AL	TRANE TWE060 AIR HANDLING UNIT WITH TTB060 CONDENSING UNIT 2000 CFM SA, 440 CFM GA, AT 0.60" WG SC/TC: 40.7 MBH/60.0 MBH HOT WATER COIL: 0.25" WG PRESSURE DROP MAX, 500 FPM, 24"x24", 61 MBH, 6.2 GPM AHU: 208V/1A, 3/4 HP CU: 208V/1A, MCA: 38 A, MOCP: 60 A PROVIDE FREEZESTAT, 7 DAY PROGRAMMABLE, NIGHT SETBACK THERMOSTAT WITH VANDAL RESISTANT COVER.
AHU-1, CU-2,3 SECOND FLOOR MEETING ROOM	TRANE TWE090B1 DUAL CIRCUIT AIR HANDLING UNIT WITH (2) TTB042 CONDENSING UNITS 3000 CFM SA, 600 CFM GA, AT 0.7" WG SC/TC: 27.9 MBH/41.5 MBH HOT WATER COIL: 0.25" WG PRESSURE DROP MAX, 500 FPM, 36"x24", 83 MBH, 8.4 GPM AHU: 208V/1A, 1.5 HP CU: 208V/1A, MCA: 28 A, MOCP: 45 A PROVIDE AIR HANDLING UNIT WITH SPLIT FACE COIL AND DUAL REFRIGERANT CIRCUIT. PROVIDE FREEZESTAT, 7 DAY PROGRAMMABLE, NIGHT SETBACK THERMOSTAT WITH VANDAL RESISTANT COVER.
AHU-6, CU-5,8 THRD FLOOR DANCE/MUSIC	TRANE TWE090B1 DUAL CIRCUIT AIR HANDLING UNIT WITH (2) TTB042 CONDENSING UNITS 3000 CFM SA, 600 CFM GA, AT 0.7" WG SC/TC: 27.9 MBH/41.5 MBH HOT WATER COIL: 0.25" WG PRESSURE DROP MAX, 500 FPM, 36"x24", 83 MBH, 8.4 GPM AHU: 208V/1A, 1.5 HP CU: 208V/1A, MCA: 28 A, MOCP: 45 A PROVIDE AIR HANDLING UNIT WITH SPLIT FACE COIL AND DUAL REFRIGERANT CIRCUIT. PROVIDE FREEZESTAT, 7 DAY PROGRAMMABLE, NIGHT SETBACK THERMOSTAT WITH VANDAL RESISTANT COVER.
AHU-3, CU-9 THRD FLOOR OFFICES	TRANE TWE060 AIR HANDLING UNIT WITH TTB060 CONDENSING UNIT 2000 CFM SA, 440 CFM GA, AT 0.60" WG SC/TC: 40.7 MBH/60.0 MBH HOT WATER COIL: 0.25" WG PRESSURE DROP MAX, 500 FPM, 24"x24", 61 MBH, 6.2 GPM AHU: 208V/1A, 3/4 HP CU: 208V/1A, MCA: 38 A, MOCP: 60 A PROVIDE FREEZESTAT, 7 DAY PROGRAMMABLE, NIGHT SETBACK THERMOSTAT WITH VANDAL RESISTANT COVER.
ALL CONDENSING UNITS: THRD FLOOR OFFICES	PROVIDE DIRECT EXPANSION VALVES, LIQUID LINE RECEIVER AND CHECK VALVE FOR EXTENDED RUN OF REFRIGERANT PIPING. CONFIRM REQUIREMENTS FOR REFRIGERANT PIPING WITH MANUFACTURER SPECIFIED.
EF-1 GYM EXHAUST	COOK 200XL BELT DRIVEN LOW PRESSURE WALL EXHAUST FAN 2800 CFM AT 0.250" WG 115V/1A, 1/2 HP PROVIDE WITH WALL COLLAR, OSHA WIRE GUARD, WEATHER HOOD, GRAVITY BACKDRAFT DAMPER AND DAMPER GUARD.
EF-2 GANG BATHROOM	COOK 100C3B CENTRIFUGAL ROOF EXHAUST FAN 900 CFM AT 0.500" WG 115V/1A, 1/4 HP PROVIDE WITH ROOF CURB, HINGED BASE KIT, MOTORIZED BACKDRAFT DAMPER AND DISCONNECT.
EF-3 2ND FLOOR BATHROOM	COOK 100S9N-D INLINE EXHAUST FAN 225 CFM AT 3/4" WG 115V/1A, 1/2 HP PROVIDE WITH VARI-SPEED CONTROLLER, FLEX DUCT CONNECTOR, BACKDRAFT DAMPER AND DISCONNECT.
EF-4 THRD FLOOR BATHROOM	COOK 60C3B ACE CENTRIFUGAL ROOF EXHAUST FAN 150 CFM AT 3/4" WG 115V/1A, 1/4 HP PROVIDE WITH PITCHED ROOF CURB (COORDINATE PITCH WITH ARCHITECT), BACKDRAFT DAMPER AND DISCONNECT.
EF-5 COMBUSTION AIR FAN	COOK 100S9N-D INLINE EXHAUST FAN 385 CFM AT 3/4" WG 115V/1A, 1/2 HP PROVIDE WITH VARI-SPEED CONTROLLER, FLEX DUCT CONNECTOR, BACKDRAFT DAMPER, MOTOR COVER, BELT GUARD AND DISCONNECT. INTERLOCK WITH BOLTER.
EF-6,7 BATHROOM EXHAUST FAN	COOK GC-140 CEILING MOUNTED FAN 150 CFM AT 0.50" WG 115V/1A, 70 WATTS PROVIDE WITH BACKDRAFT DAMPER, HANGING ISOLATOR KIT, ALUMINUM GRILLE, AND UNIT FILTER.
GV-1	GREENHECK FABRAHOOD GRAVITY INTAKE VENTILATOR 3000 CFM, 30X30 THROAT SIZE, 38X38 CURB CAP PROVIDE WITH BACKDRAFT DAMPER, INSECT SCREEN AND PITCHED ROOF CURB. COORDINATE ROOF CURB DIMENSIONS IN FIELD.
GV-2	GREENHECK FABRAHOOD GRAVITY INTAKE VENTILATOR 550 CFM, 12X12 THROAT SIZE, 20X20 CURB CAP PROVIDE WITH BACKDRAFT DAMPER, INSECT SCREEN AND PITCHED ROOF CURB. COORDINATE ROOF CURB DIMENSIONS IN FIELD.
GRV-1	GREENHECK FABRAHOOD GRAVITY RELIEF VENTILATOR 3000 CFM, 30X42 THROAT SIZE, 38X50 CURB CAP PROVIDE WITH BACKDRAFT DAMPER, INSECT SCREEN AND PITCHED ROOF CURB. COORDINATE ROOF CURB DIMENSIONS IN FIELD.
FT-1	VULCAN STYLE DS (INVERTED) FINNED TUBE RADIATION 3 LINEAR FEET, 12" DEPTH, STEEL 4-1/4" FIN, 40 FINS/FT, 1 ROW, 1020 BTUH/LF
OUTSIDE AIR LOUVERS:	REFER TO ARCHITECTURAL DRAWINGS. ARCHITECT WILL SPECIFY. SIZE AS INDICATED ON PLANS. PROVIDE WITH INSECT SCREENS AND BACKDRAFT DAMPERS.
P-1:	BELL AND GOSSETT SERIES 60 INLINE PUMP MODEL 2X2X7 84 CFM AT 37 FT WG 208V/3A, 2 HP, 1750 RPM
UH-1:	VULCAN HORIZONTAL UNIT HEATER MODEL HW-118A 18.4 MBH, 1.9 GPM, LAT: 94F, 500 CFM 115V/1A, 1/50 HP PROVIDE INTEGRAL THERMOSTAT.
V-1:	PROVIDE VANDAL RESISTANT COVERS FOR ALL THERMOSTATS, NEW AND EXISTING, THROUGHOUT BUILDING. PROVIDE BIRDSCREENS FOR ALL EXTERIOR LOUVERS AND GRAVITY INTAKE VENTILATORS. HONEYWELL THERMOSTATIC RADIATOR ACTUATOR AND VALVE 3/4", 5.8 GPM CAPACITY

Project Title: **RENOVATIONS TO:
GLENBROOK COMMUNITY CENTER**
35 CRESCENT STREET
STAMFORD, CONNECTICUT 06906

Revision: _____ Description: _____ Date: _____ Revised By: _____
AS BUILT 1/04/2006

Drawing Title: **MECHANICAL SCHEDULES
AND DETAILS**

Date: **MAY 25, 2004**
Scale: **1/4" = 1'-0"**
Drawing Number: **M5**
Project Number: _____



SYMBOL LEGEND

- SANITARY WASTE BELOW SLAB
- SOIL OR WASTE ABOVE GRADE
- VENT
- WATER SERVICE
- COLD WATER
- 120 DEG. HOT WATER
- 140 DEG HOT WATER
- HMR → HOT WATER RECIRCULATING
- CONDENSATE
- TRAP & DRAIN
- PIPE ELBOW UP
- PIPE ELBOW DOWN
- GATE VALVE OR BALL VALVE
- BALL VALVE
- BALANCING VALVE
- CHECK VALVE
- PRESSURE REDUCING VALVE
- THERMOSTATIC MIXING VALVE
- T & P RELIEF VALVE
- PRESSURE GAUGE
- UNION
- STRAINER
- WATER HAMMER ARRESTOR
- THERMOMETER
- WALL CLEANOUT
- FLOOR CLEANOUT

GENERAL NOTES

1. SPECIFICATION SECTIONS, GENERAL CONDITIONS, SUPPLEMENTAL GENERAL CONDITIONS AND DRAWINGS ARE INTEGRAL PARTS OF CONTRACT DOCUMENTS.
2. SYSTEM COMPONENTS ARE LOCATED APPROXIMATELY ON DRAWINGS. BASE ACTUAL LOCATIONS ON FIELD VERIFICATION OF EXISTING BUILDING CHARACTERISTICS INCLUDING BUT NOT LIMITED TO STRUCTURAL, MECHANICAL, ELECTRICAL & ARCHITECTURAL COMPONENTS.
3. ALL WORK AND ACTION DEPICTED AND DESCRIBED IN CONTRACT DOCUMENTS SHALL BE PERFORMED BY THE CONTRACTOR UNLESS SPECIFICALLY NOTED OTHERWISE.
4. REFERENCE TO SPECIFIC SUBCONTRACTORS SUCH AS "MECHANICAL", "ELECTRICAL", ETC. ARE INTENDED TO SUGGEST POSSIBLE DIVISION OF RESPONSIBILITY. PRIME CONTRACTOR SHALL BE RESPONSIBLE FOR COORDINATION AND EXECUTION OF ALL WORK.
5. OBTAIN AND PAY FOR ALL REQUIRED PERMITS AND INSPECTIONS.
6. ALL EQUIPMENT, MATERIALS AND RELATED SYSTEM COMPONENTS SHALL BE NEW UNLESS SPECIFICALLY NOTED OTHERWISE.
7. REPAIR AND REPLACE AT NO COST TO OWNER ALL EQUIPMENT AND MATERIALS DAMAGED DURING CONSTRUCTION.
8. STUDY THE PROJECT MANUAL & DRAWINGS OF OTHER DISCIPLINES INCLUDING ARCHITECTURAL, STRUCTURAL, CIVIL & MECHANICAL.
9. ALL PENETRATIONS THRU RATED WALLS & CEILINGS SHALL BE SEALED USING U.L. LISTED METHODS APPROPRIATE FOR INDICATED RATING.
10. CONTRACTOR TO FIELD VERIFY ALL EXISTING CONDITIONS.
11. ANY PLUMBING REFERENCE TO TRIM RELATES TO P-TRAPS AND WATER SUPPLIES/STOPS
11. INSULATE ALL NEW WATER PIPING AND PORTIONS OF EXISTING PIPING DUE TO NEW PIPING INSTALLATION AND CONNECTIONS TO EXISTING PIPING.

PLAN NOTES

1. EXISTING WATER CLOSET (WC), REPLACE EXISTING FLOOR FLANGE GASKET AND BOLTS. REPLACE EXISTING TOILET SEAT AND FLUSH VALVE ASSEMBLY. REFER TO THE PLUMBING FIXTURE SCHEDULE.
2. EXISTING URINAL (UR) TO REMAIN, REPLACE EXISTING FLUSH VALVE ASSEMBLY. REFER TO THE PLUMBING FIXTURE SCHEDULE.
3. EXISTING LAVATORY(LAV) TO REMAIN, REPLACE EXISTING FAUCET SET, P-TRAP AND SUPPLIES. REFER TO FIXTURE SCHEDULE.
4. DISCONNECT AND REMOVE EXISTING LAVATORY AND RELATED TRIM, PROVIDE NEW LAVATORY AND TRIM. REFER TO FIXTURE SCHEDULE.
5. EXISTING MOP SINK TO REMAIN, CONTRACTOR SHALL CLEAN AND INSPECT EXISTING SANITARY DRAIN FROM MOP SINK TO REMOVE ANY BLOCKAGE.
6. EXISTING WATER SERVICE METER TO REMAIN, RE-PIPE EXISTING WATER DISTRIBUTION PIPING FROM EXISTING METER WITH NEW 2" WATER PIPING AS REQUIRED TO INSTALL NEW 4" WATER SERVICE FOR SPRINKLER SYSTEM. SEE DETAIL 2, THIS DRAWING.
7. NEW 4" WATER SERVICE FROM STREET, COORDINATE WITH WATER UTILITY (AQUARION WATER CO. 203-337-5928) FOR WATER SERVICE CONNECTION TO STREET WATER MAIN. PLUMBING CONTRACTOR TO INSTALL NEW WATER SERVICE FROM NEW CURB STOP INTO BUILDING.
8. CORE DRILL NEW OPENING THRU EXISTING FOUNDATION AS REQUIRED TO INSTALL NEW 4" WATER SERVICE WITH SLEEVE INTO BASEMENT. GROUT STEEL SLEEVE IN FOUNDATION. SEAL NEW WATER SERVICE PENETRATION THRU SLEEVE TO MAKE WATER-TIGHT.
9. DISCONNECT AND REMOVE EXISTING WATER CLOSET AND TRIM. PLUG AND SEAL SANITARY DRAIN FLUSH WITH FLOOR. CAP WATER SUPPLY FLUSH WITH WALL.
10. INSULATE ALL NEW WATER SUPPLY PIPING AN PORTIONS OF EXISTING WATER PIPING DUE TO NEW PIPING CONNECTIONS.
11. ALTERNATE #2: SET TOP OF NEW CONCRETE PAD 1" ABOVE EXISTING PAVEMENT. NEW PAD SIZE SHOULD BE 4" LARGER THAN SIZE OF SINK. BEFORE CONCRETE HARDENS SET NEW SINK INTO TOP OF CONCRETE PAD TO ANCHOR SINK TO PAD.
12. ALTERNATE #2: NEW 1/2"CW AND 1/2"HWSUPPLIES TO NEW SINK (SK-2) FAUCET, CONNECT TO EXISTING WATER SUPPLY PIPING WITH NEW BALL VALVES, ABOVE CEILING. RUN PIPING RISERS EXPOSED ALONG WATER IN TOILET ROOM, INSULATE PIPING COVER W/ PVC JACKETS.
13. ALTERNATE #1: DURING INSTALLATION OF THE NEW 4" FIRE SERVICE, REPLACE EXISTING 1-1/2"GALV. DOMESTIC WATER SERVICE WITH NEW 1-1/2" COPPER SERVICE WITH NEW CURB STOP. COORDINATE WITH WATER UTILITY FOR CONNECTION TO CW MAIN IN STREET. CONNECT NEW CW SERVICE TO EXISTING WATER METER WITH NEW SHUTOFF VALVE AND NEW BY-PASS IN BASEMENT.
14. NEW VERTICAL UNIT VENTILATOR WITH COOLING COIL, PROVIDE A CONDENSATE PUMP IN THE BOILER ROOM TO PUMP CONDENSATE TO EXISTING SUMP PUMP BASIN IN BOILER ROOM. PROVIDE 3/4" CONDENSATE DRAIN FROM VENTILATOR DRAIN CONNECTION TO PUMP. PROVIDE 1/2" DRAIN TO SUMP PUMP BASIN.

Project Title:
**RENOVATIONS TO:
 GLENBROOK COMMUNITY CENTER**
 35 CRESCENT STREET
 STAMFORD, CONNECTICUT 06906

Revision:	Description:	Date:	Revised By:
AS BUILT		1/04/2006	

Drawing Title:
**BASEMENT FLOOR
 PLUMBING PLAN**

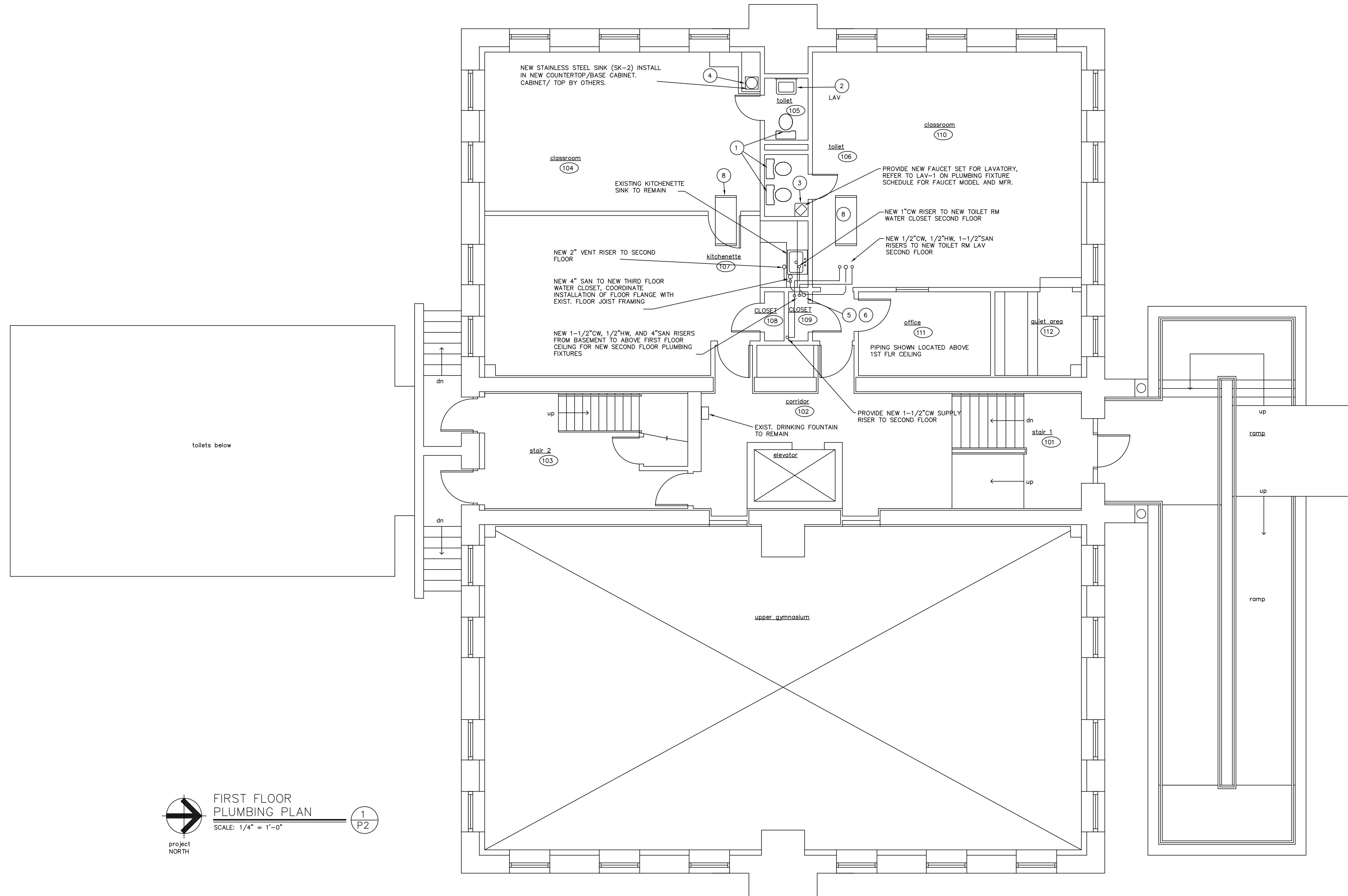
Date:
 May 25, 2004

Scale:
 1/4" = 1'-0"

Drawn By:
P1

Project Number:

1. EXISTING CLASSROOM TANK TYPE WATER CLOSET, REPLACE EXISTING TOILET SEAT WITH NEW OPEN FRONT SEAT-LESS COVER.
2. EXISTING LAVATORY (LAV), DISCONNECT AND REPLACE EXISTING FAUCET SET. WATER SUPPLIES/STOPS AND P-TRAP. REFER TO THE PLUMBING FIXTURE SCHEDULE.
3. DISCONNECT AND REMOVE EXISTING CORNER LAVATORY AND TRIM. REINSTALL EXISTING LAVATORY IN SAME LOCATION AT 24" AFF WITH NEW FAUCET SET. WATER SUPPLIES/STOPS AND P-TRAP. COORDINATE W/ GC FOR WALL FINISH REPAIR.
4. DISCONNECT AND REMOVE EXISTING SINK, FAUCET AND RELATED PIPING. RE-PIPE EXISTING CW & HW AND DRAIN PIPING TO NEW COUNTERTOP SINK. CHANGING TABLE BY GC.
5. PATCH AND FINISH EXISTING PLASTER CEILINGS DUE TO NEW PLUMBING PIPING INSTALLATIONS ABOVE EXISTING CEILINGS.
6. INSTALL NEW PLUMBING RISERS IN EXISTING CLOSET, MAINTAIN CLOSET ACCESS FOR STORAGE.
7. EXISTING LAY-IN CEILINGS IN CLASSROOMS, IN CORRIDORS AND PLASTER CEILING IN THE KITCHENETTE SHALL BE REMOVED AND REPLACED AS PART OF THIS PROJECT. COORDINATE NEW WATER AND DRAIN PIPING INSTALLATION WITH CEILING WORK.
8. NEW HORIZONTAL AIR HANDLER WITH COOLING COIL ABOVE NEW CEILING. PROVIDE NEW 3/4" CONDENSATE DRAIN, CONNECT TO AIR HANDLER DRAIN CONNECTION WITH TRAP. RUN CONDENSATE DRAIN FROM EACH UNIT ABOVE CEILINGS TO A COMMON DROP TO BASEMENT. FIELD COORDINATE LOCATION OF DROP TO BASEMENT. DISCHARGE CONDENSATE INTO EXISTING SUMP PUMP BASIN IN BOILER ROOM.



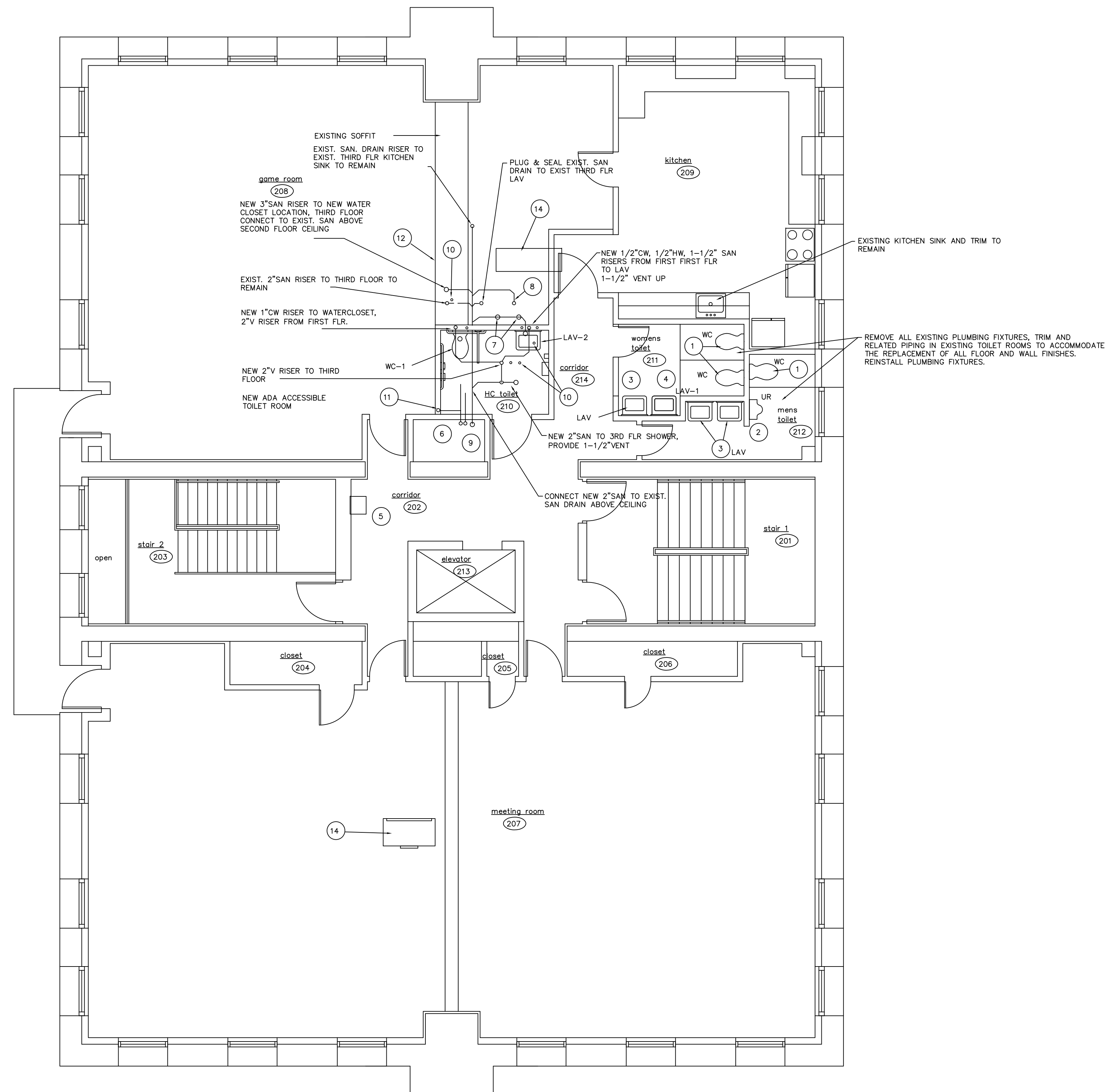

FIRST FLOOR PLUMBING PLAN
 SCALE: 1/4" = 1'-0"
 project NORTH

1
P2

Revision	Description	Date	Revised By
AS BUILT		1/04/2006	

PLAN NOTES

1. EXISTING WATER CLOSET (WC) REPLACE EXISTING FLOOR FLANGE GASKET, TOILET SEAT AND FLUSH VALVE. REFER TO THE PLUMBING FIXTURE SCHEDULE.
2. EXISTING URINAL (UR) REPLACE EXISTING FLUSH VALVE WITH NEW FLUSH VALVE ASSEMBLY. REFER TO THE PLUMBING FIXTURE SCHEDULE.
3. EXISTING LAVATORY (LAV) REPLACE EXISTING FAUCET SET AND TRIM WITH NEW FAUCET SET, WATER SUPPLIES/STOPS AND P-TRAP. REFER TO THE PLUMBING FIXTURE SCHEDULE.
4. DISCONNECT AND REMOVE EXISTING BROKEN LAVATORY AND RELATED TRIM. PROVIDE NEW LAVATORY AND FAUCET, WITH NEW WATER SUPPLIES / STOPS AND P-TRAP. CONNECT TO EXISTING WATER AND DRAIN PIPING.
5. DISCONNECT AND REMOVE EXISTING WALL MOUNTED DRINKING FOUNTAIN. MODIFY EXISTING WATER AND DRAIN PIPING IN WALL AS REQUIRED TO INSTALL NEW HANDICAP ACCESSIBLE DRINKING FOUNTAIN. PATCH WALL AND WALL FINISH DUE TO FOUNTAIN REPLACEMENT.
6. EXISTING SANITARY DRAIN AND WATER SUPPLY PIPING FOR THIRD FLOOR PLUMBING FIXTURES LOCATED ABOVE THE SECOND FLOOR CEILING. FIELD VERIFY EXISTING PIPING ABOVE CEILING.
7. DISCONNECT AND REMOVE EXISTING SANITARY DRAIN TO EXISTING THIRD FLOOR MEN'S ROOM WATER CLOSET. REPIPE DRAIN ABOVE SECOND FLOOR CEILING WITH NEW 1-1/2" SAN RISER TO NEW LAVATORY LOCATION (THIRD FLOOR).
8. EXISTING WATER SUPPLY AND SANITARY DRAIN RISERS IN EXISTING CHASE TO REMAIN.
9. NEW CW & HW RISERS TO THIRD FLR SHOWER AND WATER CLOSET LOCATIONS. CONNECT TO EXISTING HW AND NEW CW SUPPLY PIPING ABOVE 2ND FLR CEILING.
10. NEW 1-1/2" CW SUPPLY RISER FROM FIRST FLR, IN NEW WALL. CONNECT TO EXISTING CW PIPING ABOVE THE SECOND FLR CEILING. MAINTAIN EXISTING CW RISER FROM FIRST FLR. THE INTENT WILL BE TO SUPPLEMENT WATER SUPPLY TO PLUMBING FIXTURES.
11. MODIFY AND PATCH EXISTING GYP BOARD SOFFIT AROUND EXISTING BUILDING FRAMING DUE TO INSTALLATION OF NEW PLUMBING PIPING TO NEW THIRD FLOOR FIXTURE LOCATIONS.
12. EXISTING LAY-IN CEILINGS IN ROOMS AND CORRIDORS SHALL BE REPLACED DURING CONSTRUCTION. COORDINATE ALL PLUMBING PIPING WORK ABOVE CEILING WITH CEILING REPLACEMENT.
13. NEW HORIZONTAL AIR HANDLER WITH COOLING COIL ABOVE NEW CEILING, PROVIDE NEW 3/4" COPPER CONDENSATE DRAIN, CONNECT TO AIR HANDLER DRAIN CONNECTION WITH TRAP. RUN CONDENSATE DRAIN FROM EACH UNIT ABOVE NEW CEILING TO A COMMON DROP TO BASEMENT. FIELD COORDINATE LOCATION OF DROP TO BASEMENT. DISCHARGE CONDENSATE INTO EXISTING SUMP PUMP BASIN IN BOILER ROOM.
- 14.



second floor
plumbing PLAN

SCALE: 1/4" = 1'-0"

project NORTH

1
P3

Project Title:
**RENOVATIONS TO:
 GLENBROOK COMMUNITY CENTER**
 35 CRESCENT STREET
 STAMFORD, CONNECTICUT 06906

Revision	Description	Date	Revised By
AS BUILT		1/04/2006	

Drawing Title:
**SECOND FLOOR
 PLUMBING PLAN**

Date:
May 25, 2004

Scale:
 1/4" = 1'-0"

Drawn By:

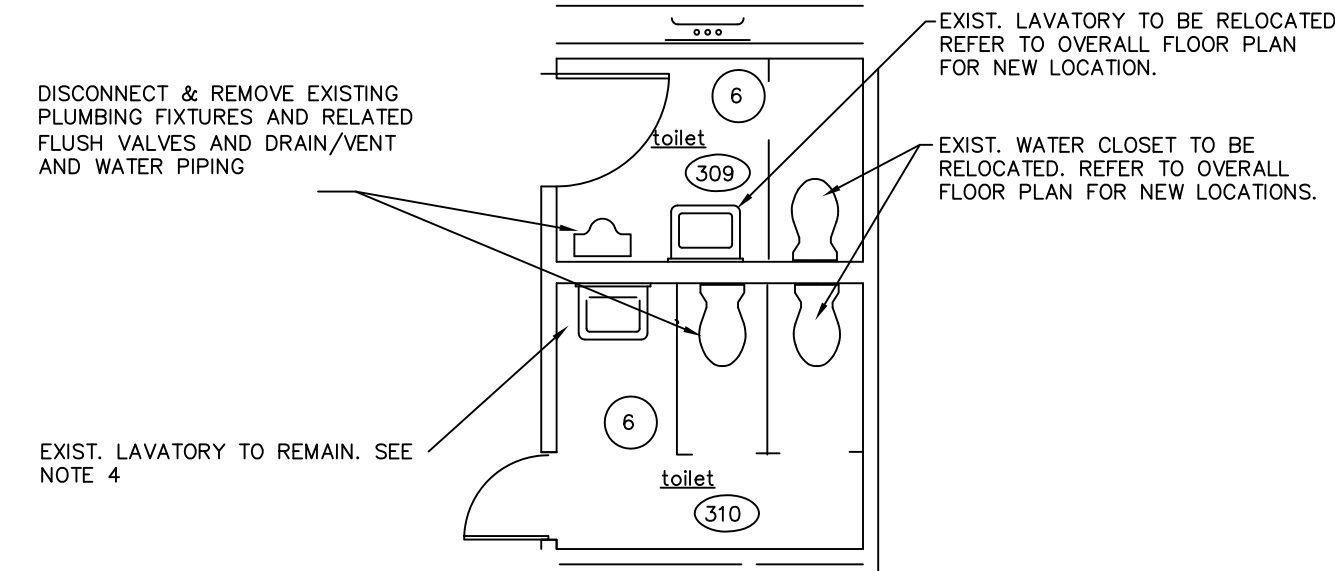
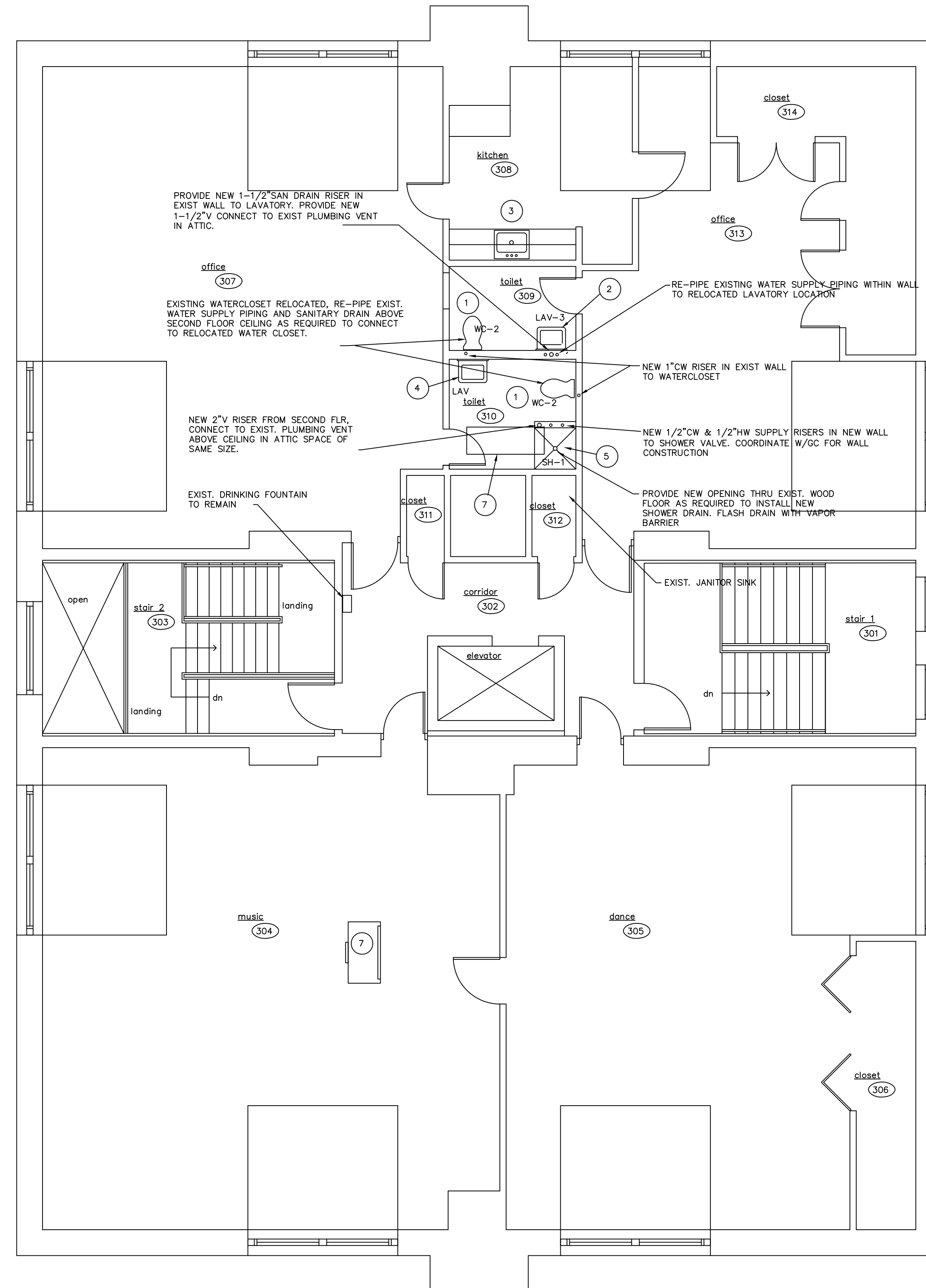
Project Number:

P3

PLAN NOTES

- EXISTING WATER CLOSET (WC-2) REINSTALL IN NEW LOCATION, PROVIDE NEW SEAT AND FLUSH VALVE ASSEMBLY. REFER TO THE PLUMBING FIXTURE SCHEDULE.
- EXISTING LAVATORY (LAV-3) REINSTALL IN NEW LOCATION, PROVIDE NEW FAUCET SET, WATER SUPPLIES/STOPS, AND P-TRAP. REFER TO THE PLUMBING FIXTURE SCHEDULE.
- EXISTING KITCHEN SINK AND RELATED FAUCET AND TRIM TO REMAIN.
- EXISTING LAVATORY (LAV) PROVIDE NEW FAUCET SET, WATER SUPPLIES/STOPS, AND P-TRAP. REFER TO THE PLUMBING FIXTURE SCHEDULE. TEMPORARILY REMOVE LAVATORY, FOR NEW WALL FINISHES. REINSTALL LAVATORY. NEW SHOWER, PROVIDE A VAPOR BARRIER ON EXISTING SUBFLOOR, SET SHOWER IN GROUT. COORDINATE W/ NEW WALL CONSTRUCTION FOR SHOWER VALVE INSTALLATION.
- PLUMBING CONTRACTOR SHALL COORDINATE THE INSTALLATION OF THE NEW SANITARY DRAIN RISERS TO THE NEW SHOWER AND FOR THE RELOCATED WATER CLOSETS WITH THE EXISTING WOOD FLOOR FRAMING. IT MAY BE REQUIRED TO SHIFT SAN RISERS ACCORDING TO EXISTING JOIST FRAMING LOCATIONS. COORDINATE SHOWER DRAIN / SHOWER LOCATION W/ NEW WALL CONSTRUCTION.
- NEW HORIZONTAL AIR HANDLER W/ COOLING COIL ABOVE NEW CEILING. PROVIDE A 3/4" COPPER CONDENSATE DRAIN FROM UNIT ABOVE CEILING. CONNECT TO UNIT DISCHARGE WITH TRAP. PIPE CONDENSATE DRAIN TO EXISTING JANITOR SINK IN CLOSET. TERMINATE DRAIN(S) 1" ABOVE SINK RIM.
- EXISTING JANITOR SINK IN CLOSET. TERMINATE DRAIN(S) 1" ABOVE SINK RIM.

EXISTING TOILET ROOMS TO HAVE EXISTING FLOOR AND WALL FINISHES REPLACED. COORDINATE THE RELOCATION / INSTALLATION OF PLUMBING FIXTURES AND INSTALLATION OF NEW PLUMBING PIPING WITH NEW WALL AND FLOOR FINISHES.



PARTIAL DEMOLITION plumbing PLAN
SCALE: 1/4" = 1'-0"

third floor plumbing PLAN
SCALE: 1/4" = 1'-0"

Project Title: RENOVATIONS TO:
GLENBROOK COMMUNITY CENTER
35 CRESCENT STREET
STAMFORD, CONNECTICUT 06906

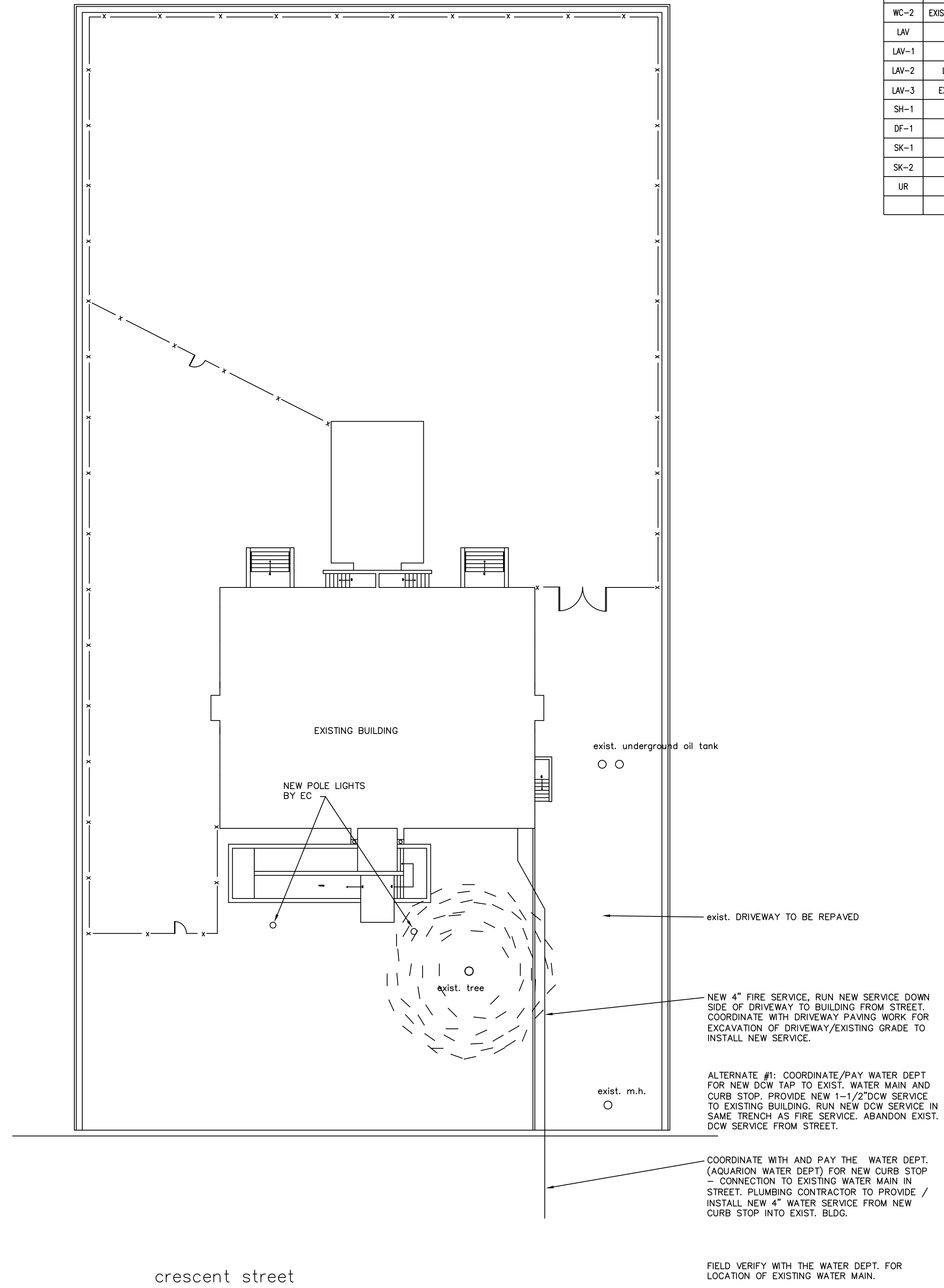
Revision	Description	Date	Revised By
AS BUILT		1/04/2006	

Drawing Title: **THIRD FLOOR PLUMBING PLAN**

Date: **May 25, 2004**
Scale: **1/4" = 1'-0"**
Project Number: **P4**

PLUMBING FIXTURE AND EQUIPMENT SCHEDULE

TAG	DESCRIPTION	MATERIAL	MANUFACTURER & MODEL	ROUGH-INS					TRIM/ACCESSORIES	CARRIER	MOUNTING	NOTES
				COLD	HOT	ROUGH-INS	TRAP	VENT				
WC	EXISTING WATER CLOSET	--	--	--	--	--	--	--	SLOAN FLUSH VALVE # 110 (3.5 GPM), W/ NEW OPEN FRONT SEAT LESS COVER		FLOOR MOUNTED	PROVIDE NEW FLANGE GASKET
WC-1	WATER CLOSET - ADA COMPLIANT ELONGATED BOWL	VITREOUS CHINA	AMERICAN STD 2305.100	1"	--	4"	--	2"	SLOAN FLUSH VALVE # 113-1.6 (1.6 GPM), W/ NEW OPEN FRONT SEAT LESS COVER		FLOOR MOUNTED	1.6 GAL PER FLUSH, WHITE
WC-2	EXISTING WATER CLOSET RELOCATED	--	--	1"	--	3"	--	2"	SLOAN FLUSH VALVE # 110 (3.5 GPM), W/ NEW OPEN FRONT SEAT LESS COVER		FLOOR MOUNTED	PROVIDE NEW FLANGE GASKET
LAV	EXISTING LAVATORY	--	--	--	--	--	--	--	AMERICAN STD FAUCET SET 6801.000.002, 8" CENTERS, CROWN HANDLES, POP-UP DRAIN			PROVIDE NEW CHROME SUPPLIES, STOPS AND TRAP
LAV-1	LAVATORY	VITREOUS CHINA	AMERICAN STD 0373.027	--	--	--	--	1-1/4"	AMERICAN STD FAUCET SET 5401.102H.002, 4" CENTERS, CROWN HANDLES, POP-UP DRAIN		WALL BRACKET	PROVIDE NEW CHROME SUPPLIES, STOPS AND TRAP
LAV-2	LAVATORY - ADA COMPLIANT	VITREOUS CHINA	AMERICAN STD 035.012	1/2"	1/2"	1-1/2"	1-1/4"	1-1/2"	AMERICAN STD FAUCET SET 5401.172H.002, 4" CENTERS, 4" BLADE HANDLES, POP-UP DRAIN, CLOSED CELL PIPE COVERS	ZURN Z-1231		PROVIDE NEW CHROME SUPPLIES, STOPS AND TRAP
LAV-3	EXISTING LAVATORY RELOCATED	--	--	1/2"	1/2"	1-1/2"	1-1/4"	1-1/2"	AMERICAN STD FAUCET SET 6801.000.002, 8" CENTERS, CROWN HANDLES, POP-UP DRAIN		WALL BRACKET	PROVIDE NEW CHROME SUPPLIES, STOPS AND TRAP
SH-1	SHOWER	FIBERGLASS	LUSCO 1323-C	1/2"	1/2"	2"	2"	1-1/2"	32"x32" SHOWER, LEONARD AQUATROL 4501 W/ THERMOSTATIC - PRESSURE BALANCING VALVE, CHROME ADJUSTABLE HEADAKER			FURNISH SHOWER FLOOR WITH GRID STRAINER DRAIN
DF-1	DRINKING FOUNTAIN - ADA	STAINLESS STEEL	ELKAY EDFF19C	1/2"	--	1-1/2"	1-1/4"	1-1/2"	SEMI-RECESSED FOUNTAIN			3/8" TO LOW SPOUT AFF
SK-1	EXTERIOR SINK - (ALT #2)	TERRAZZO	TSB 100	1/2"	1/2"	2"	2"	--	WOODFORD MODEL 22 BRASS FAUCET-FREEZEPROOF, ANTI-SIPHON WALL FAUCET - HOT AND COLD WATER, STAINLESS STEEL RIM GUARDS ON BASIN			
SK-2	HAND WASH SINK	STAINLESS STEEL	ELKAY DEP2-11515-C	1/2"	1/2"	1-1/2"	1-1/4"	1-1/2"	FURNISH W/ LKB-2479-8 GOOSENECK FAUCET SPOUT, D-5018A DRAIN W/ BASKET STRAINER, CHROME P-TRAP-CLEANOUT		COUNTER TOP	PROVIDE NEW CHROME SUPPLIES, AND STOPS
UR	EXISTING URINAL	--	--	3/4"	--	2"	--	1-1/2"	SLOAN FLUSH VALVE # 186 (1.0 GPM)			



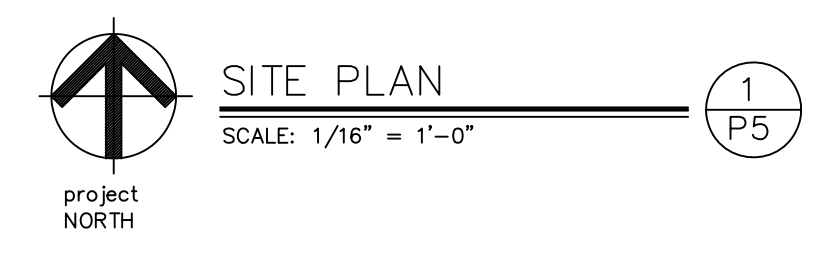
NEW 4" FIRE SERVICE, RUN NEW SERVICE DOWN SIDE OF DRIVEWAY TO BUILDING FROM STREET. COORDINATE WITH DRIVEWAY PAVING WORK FOR EXCAVATION OF DRIVEWAY/EXISTING GRADE TO INSTALL NEW SERVICE.

ALTERNATE #1: COORDINATE/PAY WATER DEPT FOR NEW DCW TAP TO EXIST. WATER MAIN AND CURB STOP. PROVIDE NEW 1-1/2" DCW SERVICE TO EXISTING BUILDING. RUN NEW DCW SERVICE IN SAME TRENCH AS FIRE SERVICE. ABANDON EXIST. DCW SERVICE FROM STREET.

COORDINATE WITH AND PAY THE WATER DEPT. (AQUARION WATER DEPT) FOR NEW CURB STOP - CONNECTION TO EXISTING WATER MAIN IN STREET. PLUMBING CONTRACTOR TO PROVIDE / INSTALL NEW 4" WATER SERVICE FROM NEW CURB STOP INTO EXIST. BLDG.

FIELD VERIFY WITH THE WATER DEPT. FOR LOCATION OF EXISTING WATER MAIN.

- CONSTRUCTION NOTES**
- EXCAVATE EXIST. DRIVEWAY & GRADE AS REQUIRED TO INSTALL NEW WATER PIPING. BACKFILL AND RE-PAVE DRIVEWAY DUE TO NEW SERVICE INSTALLATION.
 - RESEED GRASS AREAS DISTURBED BY THE INSTALLATION OF THE NEW WATER SERVICE(S).
 - COORDINATE WITH AND PAY THE CITY FOR PATCHING OF THE CITY STREET DUE TO INSTALLATION OF THE NEW WATER SERVICE(S).



Project Title:
**RENOVATIONS TO:
 GLENBROOK COMMUNITY CENTER**
 35 CRESCENT STREET
 STAMFORD, CONNECTICUT 06906

Revision	Description	Date	Revised By
AS BUILT		1/04/2006	

Drawing Title:
**SITE PLAN
 PLUMBING SCHEDULE**

Date: **May 25, 2004**
 Scale: **AS NOTED**
 Drawn By:
 Project Number:

P5




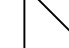
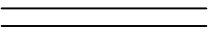
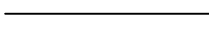
GENERAL NOTES

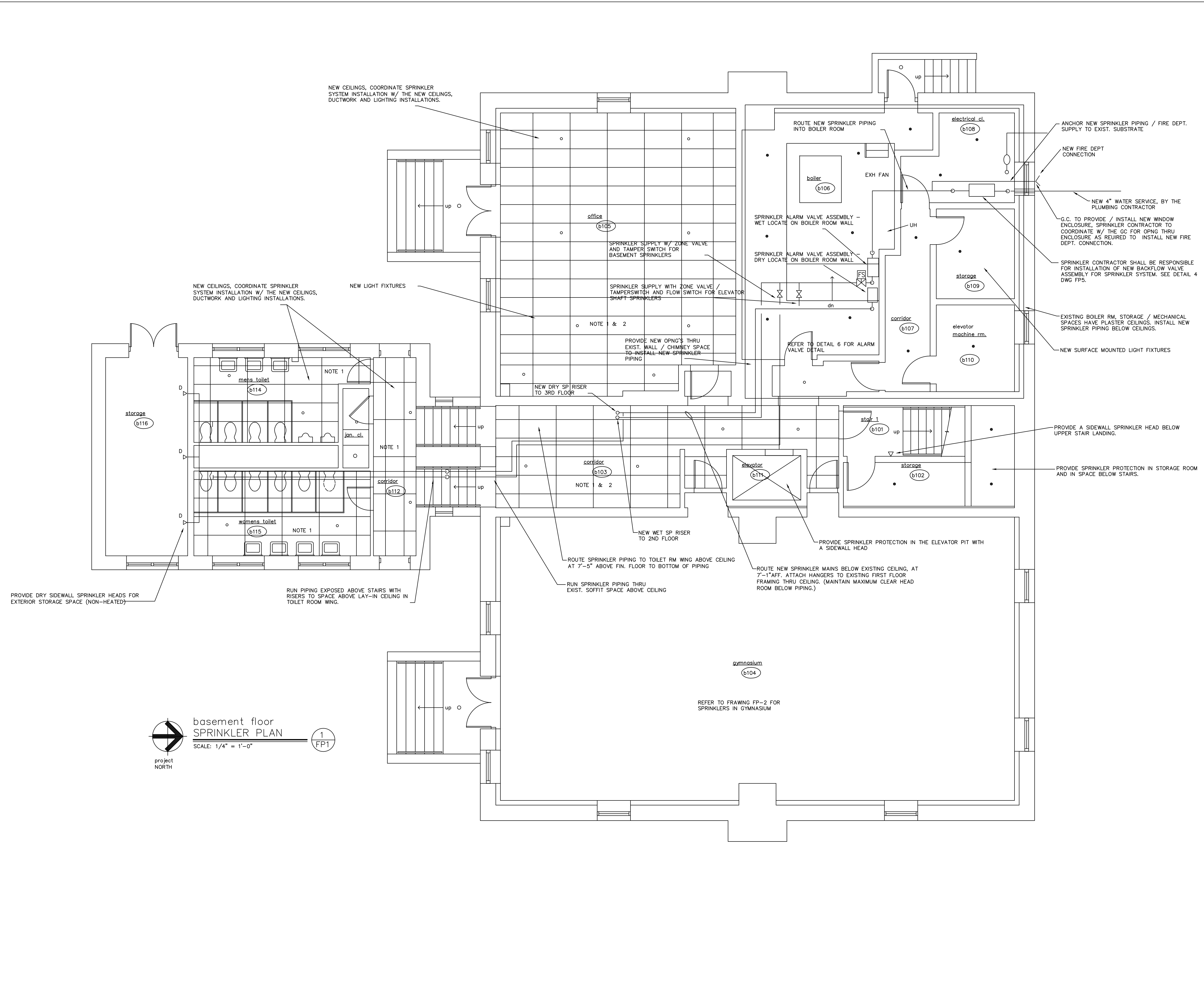
- SPECIFICATION SECTIONS, GENERAL CONDITIONS, SUPPLEMENTAL GENERAL CONDITIONS AND DRAWINGS ARE INTEGRAL PARTS OF CONTRACT DOCUMENTS.
- SYSTEM COMPONENTS ARE LOCATED APPROXIMATELY ON DRAWINGS. BASE ACTUAL LOCATIONS ON FIELD VERIFICATION OF EXISTING BUILDING CHARACTERISTICS INCLUDING BUT NOT LIMITED TO STRUCTURAL, MECHANICAL, ELECTRICAL & ARCHITECTURAL COMPONENTS.
- ALL WORK AND ACTION DEPICTED AND DESCRIBED IN CONTRACT DOCUMENTS SHALL BE PERFORMED BY THE CONTRACTOR UNLESS SPECIFICALLY NOTED OTHERWISE.
- REFERENCE TO SPECIFIC SUBCONTRACTORS SUCH AS "MECHANICAL," "ELECTRICAL," ETC. ARE INTENDED TO SUGGEST POSSIBLE DIVISION OF RESPONSIBILITY. PRIME CONTRACTOR SHALL BE RESPONSIBLE FOR COORDINATION AND EXECUTION OF ALL WORK.
- OBTAIN AND PAY FOR ALL REQUIRED PERMITS AND INSPECTIONS.
- ALL EQUIPMENT, MATERIALS AND RELATED SYSTEM COMPONENTS SHALL BE NEW UNLESS SPECIFICALLY NOTED OTHERWISE.
- REPAIR AND REPLACE AT NO COST TO OWNER ALL EQUIPMENT AND MATERIALS DAMAGED DURING CONSTRUCTION.
- STUDY THE PROJECT MANUAL & DRAWINGS OF OTHER DISCIPLINES INCLUDING ARCHITECTURAL, STRUCTURAL, CIVIL & MECHANICAL.
- ALL PENETRATIONS THRU RATED WALLS & CEILINGS SHALL BE SEALED USING U.L. LISTED METHODS APPROPRIATE FOR INDICATED RATING.
- CONTRACTOR TO FIELD VERIFY ALL EXISTING CONDITIONS.

PLAN NOTES

- EXISTING LAY-IN CEILING PANELS AND CEILING GRID SYSTEM SHALL BE REMOVED DURING CONSTRUCTION. COORDINATE INSTALLATION OF NEW SPRINKLER PIPING AND HEADS ABOVE NEW LAY-IN CEILING.
- NEW LAY-IN CEILING IN THE BASEMENT AREA SHALL BE LESS THAN 6" BELOW BOTTOM OF EXISTING UPPER FLOOR FRAMING JOISTS. NO CONCEALED SPRINKLERS REQUIRED ABOVE CEILING.
- SPRINKLERS IN THE BOILER ROOM SHALL BE OF INTERMEDIATE TEMPERATURE SPRINKLER HEADS.
- SPRINKLER HEAD IN THE ELEVATOR MACHINE ROOM SHALL BE 155 DEG SPRINKLER HEAD.
- INSTALL NEW BACKFLOW CHECK VALVE ASSEMBLY ACCORDING TO LOCAL WATER UTILITY AND STATE CODE REQUIREMENTS. SUBMIT ALL REQUIRED DOCUMENTATION.
- DRAWINGS DESIGNATE NEW SPRINKLER MAINS ONLY. CONTRACTOR SHALL FIELD VERIFY ALL NEW PIPING ROUTINGS WITH EXISTING CONDITIONS AND EQUIPMENT.
- SPRINKLER HEADS SHOWN FOR COORDINATION. SPRINKLER CONTRACTOR TO PROVIDE AND INSTALL SPRINKLER HEADS AS REQUIRED BY NFPA 13. ALL NEW SPRINKLER DISTRIBUTION PIPING TO HEADS SHALL BE HYDRAULICALLY SIZED AND FIELD COORDINATED BY THE CONTRACTOR.
- COORDINATE WITH THE BUILDING DIRECTOR FOR SPACE ALLOCATION FOR THE INSTALLATION OF THE NEW SPRINKLER SYSTEM EQUIPMENT (ALARM VALVES, BACKFLOW DEVICE).
- PROVIDE HIGH TEMPERATURE SPRINKLER HEADS LOCATED NEAR NEW UNIT HEATER.
- SPRINKLER CONTRACTOR SHALL COORDINATE NEW SPRINKLER PIPING RUNS ABOVE BASEMENT CEILINGS AND BELOW EXISTING PLASTER CEILINGS WITH NEW LIGHTING, EXISTING HEAT PIPING/DUCTWORK AND ELECTRICAL CONDUITS.

LEGEND

-  LAY-IN CEILING LIGHT FIXTURE
-  WALL MOUNTED LIGHT FIXTURE
-  CEILING SUPPLY DIFFUSER
-  CEILING RETURN AIR DIFFUSER
-  NEW WALL CONSTRUCTION
-  NEW SPRINKLER PIPING



basement floor
SPRINKLER PLAN
SCALE: 1/4" = 1'-0"
1
FP1

Project Title:
**RENOVATIONS TO:
 GLENBROOK COMMUNITY CENTER**
 35 CRESCENT STREET
 STAMFORD, CONNECTICUT 06906

Revision	Description	Date	Revised By
AS BUILT		1/04/2006	

Drawing Title:
**BASEMENT FLOOR
 SPRINKLER PLAN**

Date:
 MAY 25 2004

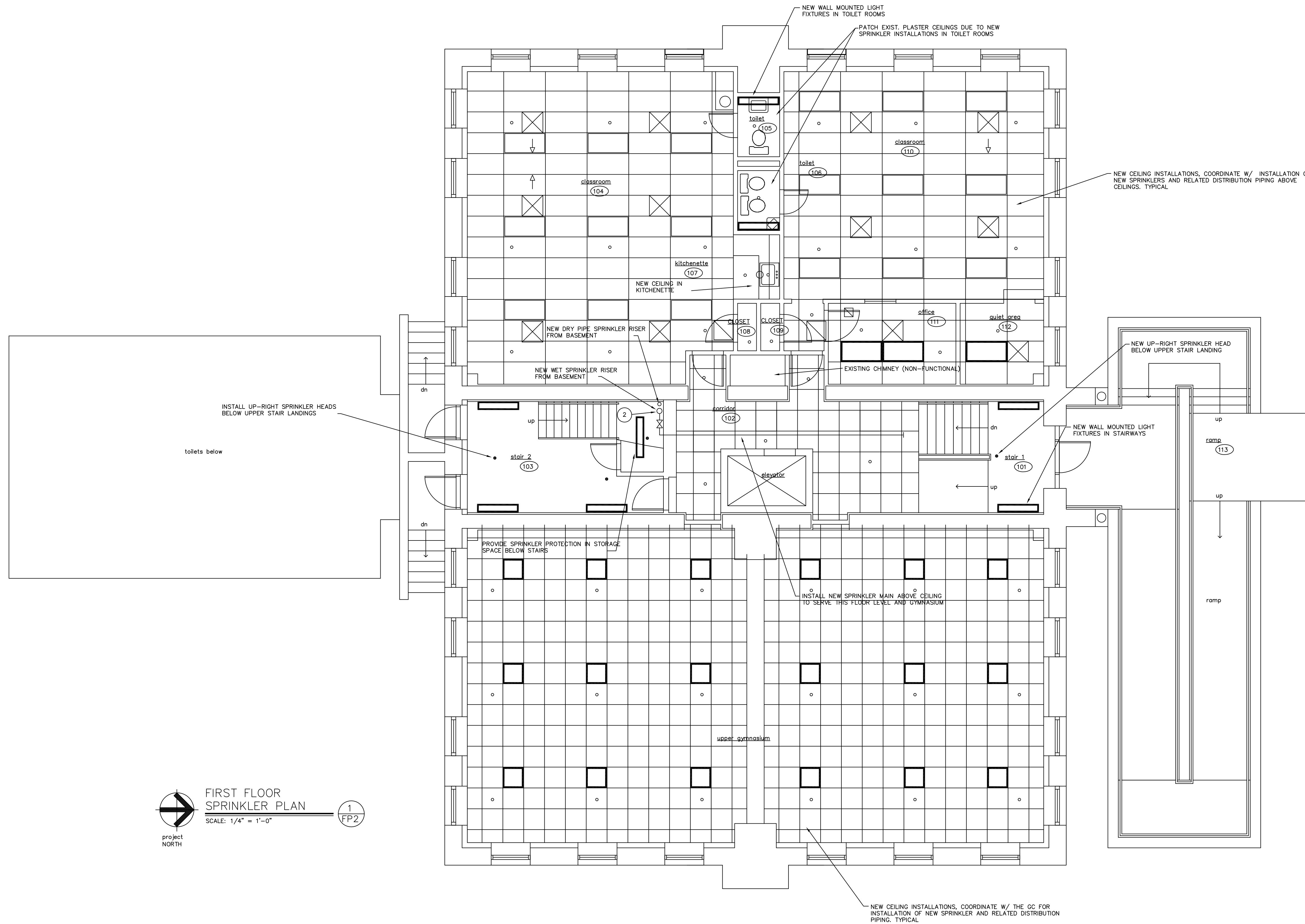
Scale:
 1/4" = 1'-0"

Drawn By:

Project Number:
FP1

PLAN NOTES

1. EXISTING LAY-IN CEILING PANELS AND CEILING GRID SYSTEM SHALL BE REMOVED BY DURING CONSTRUCTION.
2. PROVIDE NEW OPENINGS THRU EXISTING STAIR LANDING AS REQUIRED TO INSTALL NEW SPRINKLER SUPPLY RISERS. INSTALL NEW RISERS CLOSE TO EXISTING WALL, LOCATE RISERS SO AS NOT TO IMPEDE EGRESS DOWN STAIRS.
3. PROVIDE NEW OPENINGS THRU EXISTING WALLS AS REQUIRED TO INSTALL NEW SPRINKLER DISTRIBUTION PIPING TO NEW SPRINKLER HEADS.
COORDINATE ALL NEW SPRINKLER WORK WITH NEW LIGHTING INSTALLATIONS.
4. PROVIDE UPRIGHT SPRINKLER HEADS ABOVE CEILINGS AS REQUIRED FOR CONCEALED COMBUSTIBLE SPACES. COORDINATE WITH DUCTWORK AND LIGHTING.
5. DRAWINGS DESIGNATE NEW SPRINKLER MAIN PIPING ONLY. CONTRACTOR SHALL PROVIDE LAYOUT HYDRAULICALLY DESIGNED FOR SPRINKLER DISTRIBUTION PIPING. FIELD VERIFY PIPE ROUTINGS WITH EXISTING CONDITIONS AND EQUIPMENT.
6. SPRINKLER HEADS SHOWN FOR COORDINATION, SPRINKLER CONTRACTOR TO PROVIDE AND INSTALL SPRINKLER HEADS AS REQUIRED BY NFPA 13.
COORDINATE INSTALLATION OF NEW SPRINKLER SYSTEM WITH NEW CEILING INSTALLATION, NEW CEILING TO BE INSTALLED AT 9'-4" AFF.
7. PROVIDE A ZONE SHUT OFF VALVE FOR SPRINKLER SUPPLY THIS FLOOR. LOCATE VALVE ABOVE STAIR LANDING. PROVIDE A TAMPER SWITCH ON VALVE. COORDINATE W/ EC FOR MONITOR WIRING TO SWITCH.
8. REFER TO THE HVAC DRAWINGS FOR DUCTWORK AND AIR HANDLER LOCATIONS TO COORDINATE SPRINKLER PIPING AND SPRINKLER HEADS ABOVE CEILINGS.
- 9.
- 10.




**FIRST FLOOR
SPRINKLER PLAN**
 SCALE: 1/4" = 1'-0"
 project NORTH

1
FP2

Project Title:
**RENOVATIONS TO:
 GLENBROOK COMMUNITY CENTER**
 35 CRESCENT STREET
 STAMFORD, CONNECTICUT 06906

Revision:	Description:	Date:	Revised By:
AS BUILT		1/04/2006	

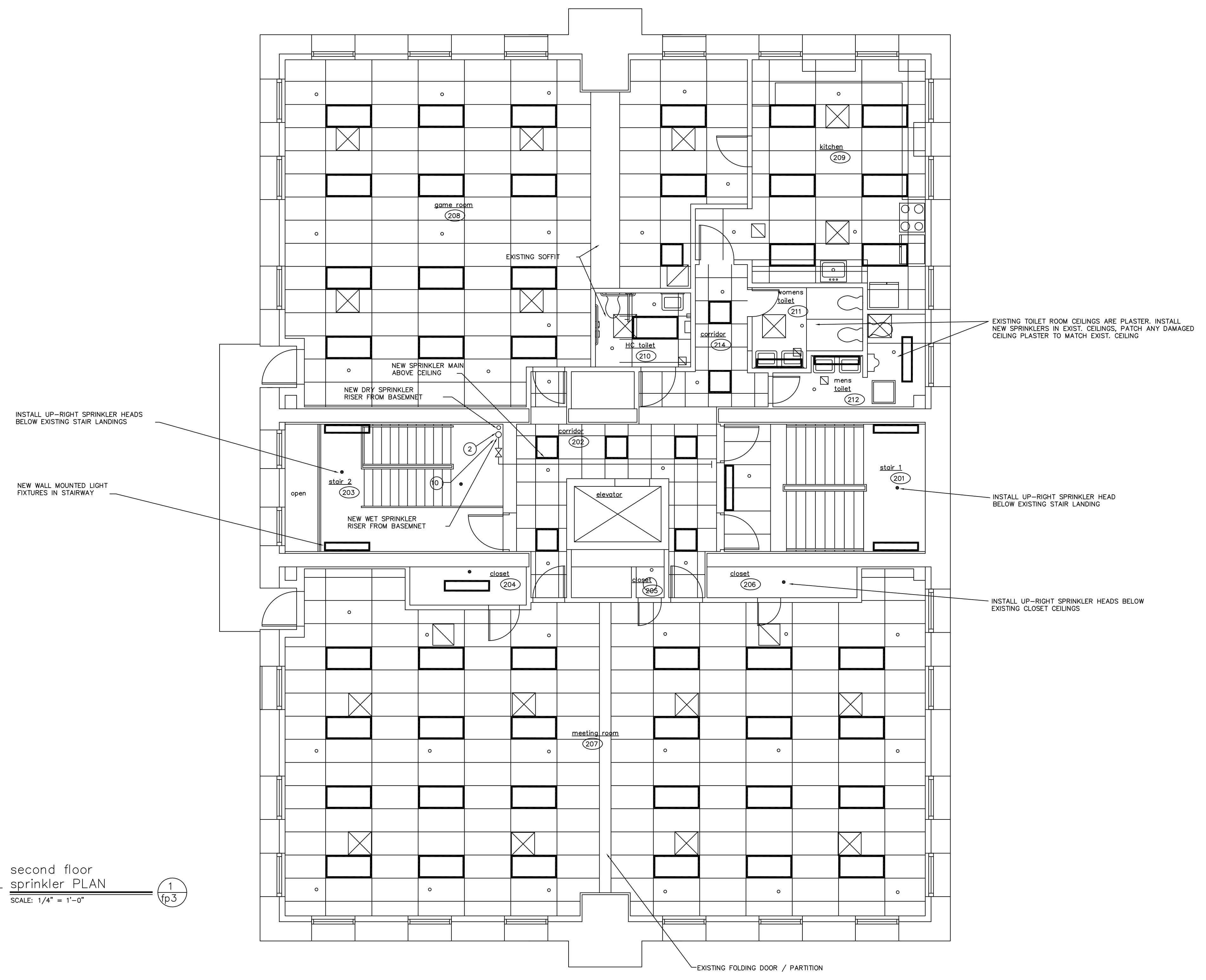
Drawing Title:
**FIRST FLOOR
 SPRINKLER PLAN**

Date:
 May 25 2004
 Scale:
 1/4" = 1'-0"
 Drawn By:
 Project Number:

FP2

PLAN NOTES

1. EXISTING LAY-IN CEILING PANELS AND CEILING GRID SYSTEM SHALL BE REMOVED DURING CONSTRUCTION.
2. CORE DRILL NEW OPENING THRU EXISTING STAIR LANDING AS REQUIRED TO INSTALL NEW SPRINKLER RISERS. LOCATE RISERS AGAINST EXISTING WALL SO AS NOT TO IMPEDE TRAFFIC EGRESS DOWN STAIRS.
3. PROVIDE NEW OPENINGS THRU EXISTING WALLS AS REQUIRED TO INSTALL NEW SPRINKLER DISTRIBUTION PIPING INTO ROOMS TO NEW SPRINKLER HEADS, FROM SPRINKLER MAIN IN CORRIDOR.
- COORDINATE ALL SPRINKLER WORK WITH NEW LIGHTING INSTALLATIONS.
4. COORDINATE INSTALLATION OF SPRINKLERS WITH NEW CEILING SYSTEM, NEW CEILING TO BE INSTALLED 9'-4" AFF.
5. PROVIDE UPRIGHT SPRINKLERS ABOVE NEW CEILINGS AS REQUIRED FOR CONCEALED COMBUSTIBLE SPACES. COORDINATE WITH DUCTWORK AND LIGHTING.
6. DRAWING DESIGNATES NEW SPRINKLER MAIN ONLY. CONTRACTOR SHALL PROVIDE LAYOUT HYDRAULICALLY DESIGNED FOR SPRINKLER DISTRIBUTION PIPING. FIELD VERIFY PIPE ROUTINGS, EXISTING CONDITIONS AND EQUIPMENT.
7. SPRINKLER HEADS SHOWN FOR COORDINATION. SPRINKLER CONTRACTOR TO PROVIDE AND INSTALL SPRINKLERS AS REQUIRED BY NFPA 13.
- PROVIDE A ZONE SHUT OFF VALVE ON SPRINKLER SUPPLY FOR THIS FLOOR. LOCATE VALVE IN STAIR TOWER. PROVIDE A TAMPER SWITCH ON VALVE.
8. COORDINATE W/ EC FOR MONITOR WIRING.
- PROVIDE A 1-1/2" ANGLE HOSE VALVE ON THE WET SPRINKLER SUPPLY RISER AT 36" ABOVE LANDING. EQUAL TO A GUARDIAN 5010 (MALE OUTLET) CAST BRASS.
9. REFER TO THE HVAC DRAWINGS FOR NEW AIR HANDLER AND DUCTWORK INSTALLATIONS TO COORDINATE NEW SPRINKLER PIPING AND SPRINKLER HEAD LOCATIONS ABOVE NEW CEILINGS.
10. SEAL NEW SPRINKLER SUPPLY PIPING PENETRATIONS THRU EXISTING STAIR WALLS TO MAINTAIN WALL FIRE RATING.
- 11.
- 12.



second floor
sprinkler PLAN
SCALE: 1/4" = 1'-0"
project NORTH

Project Title:
RENOVATIONS TO:
GLENBROOK COMMUNITY CENTER
35 CRESCENT STREET
STAMFORD, CONNECTICUT 06906

Revision	Description	Date	Revised By
AS BUILT		1/04/2006	

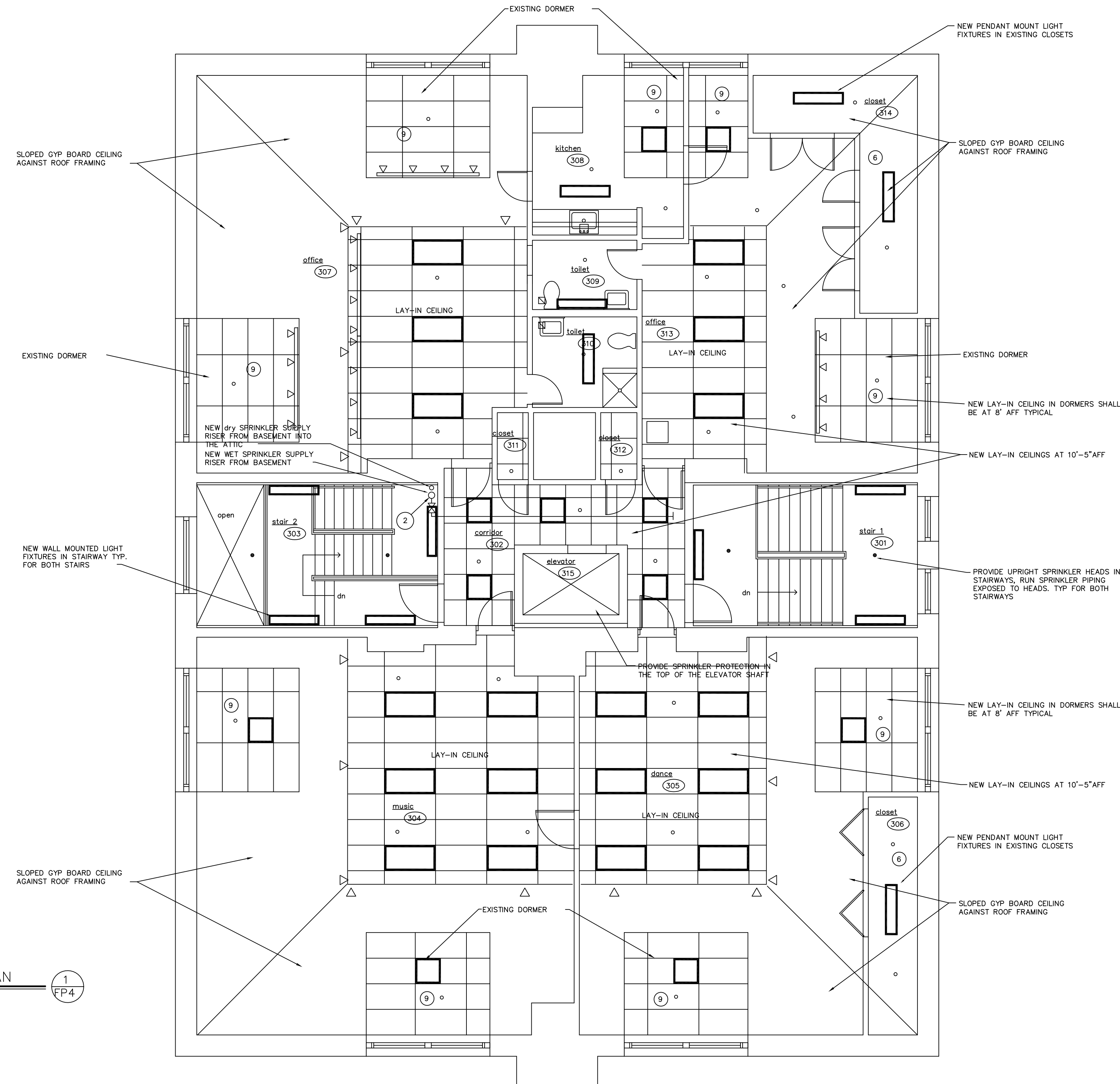
Drawing Title:
**SECOND FLOOR
SPRINKLER PLAN**

Date: May 25, 2004
Scale: 1/4" = 1'-0"
Drawn By: _____
Project Number: _____

FP3

PLAN NOTES

1. EXISTING LAY-IN CEILING PANELS AND CEILING GRID SYSTEM SHALL BE REMOVED DURING THE CONSTRUCTION.
2. CORE DRILL NEW OPENING THRU EXISTING STAIR LANDING AS REQUIRED TO INSTALL NEW SPRINKLER SUPPLY RISERS.
3. PROVIDE NEW OPENINGS THRU EXISTING WALLS AS REQUIRED TO INSTALL NEW SPRINKLER DISTRIBUTION PIPING INTO ROOMS TO NEW SPRINKLER HEADS, FROM NEW SPRINKLER MAIN IN CORRIDOR.
4. COORDINATE ALL SPRINKLER WORK WITH THE NEW LIGHTING, NEW DUCTWORK AND EQUIPMENT INSTALLATIONS ABOVE AND BELOW CEILING.
5. DRAWING DESIGNATES NEW SPRINKLER MAIN PIPING ONLY. CONTRACTOR SHALL PROVIDE LAYOUT HYDRAULICALLY DESIGNED FOR SPRINKLER DISTRIBUTION PIPING. FIELD VERIFY PIPE ROUTINGS, EXISTING CONDITIONS AND EQUIPMENT.
6. RUN NEW SPRINKLER PIPING EXPOSED BELOW EXISTING SLOPED GYP BOARD CEILING TO NEW SPRINKLER HEADS IN EXISTING CLOSETS. PAINT ALL EXPOSED SPRINKLER PIPING AND FITTINGS WHITE.
7. PROVIDE LOW POINT DRAINS IN SPRINKLER PIPING WITH DRAIN VALVES AND CAPS FOR THE DRY SPRINKLER SYSTEM.
8. PROVIDE DRY UP-RIGHT SPRINKLERS IN THE ATTIC SPACE ALONG ROOF LINES.
9. INSTALL NEW SPRINKLER HEAD IN NEW DORMER CEILING. TYPICAL FOR EACH DORMER.
10. THE THIRD FLOOR SHALL BE PROTECTED BY SPRINKLERS CONNECTED TO THE WET SYSTEM. RUN PIPING 8" ABOVE NEW LAY-IN CEILING.
11. PROVIDE SIDEWALL SPRINKLERS CONNECTED TO THE WET SYSTEM TO COVER THE EXISTING SLOPED GYP BOARD CEILING, ANGLE THE SPRINKLER HEADS TO MATCH EXISTING CEILING SLOPE.
12. INSTALL UP-RIGHT DRY SPRINKLER HEADS ALONG SLOPE OF ROOF TO PROVIDE SPRINKLER PROTECTION IN ATTIC SPACE. ATTIC SPACE TO BE INSULATED.



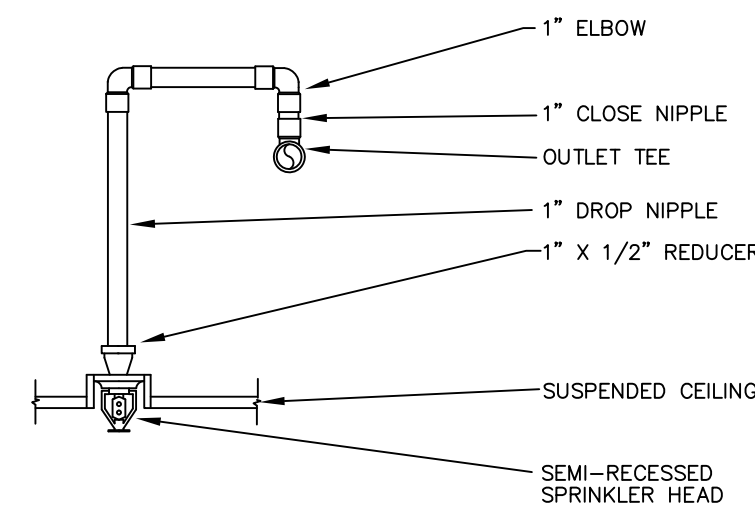

**third floor
SPRINKLER PLAN**
 SCALE: 1/4" = 1'-0"
 1
 FP4

Project Title:
**RENOVATIONS TO:
 GLENBROOK COMMUNITY CENTER**
 35 CRESCENT STREET
 STAMFORD, CONNECTICUT 06906

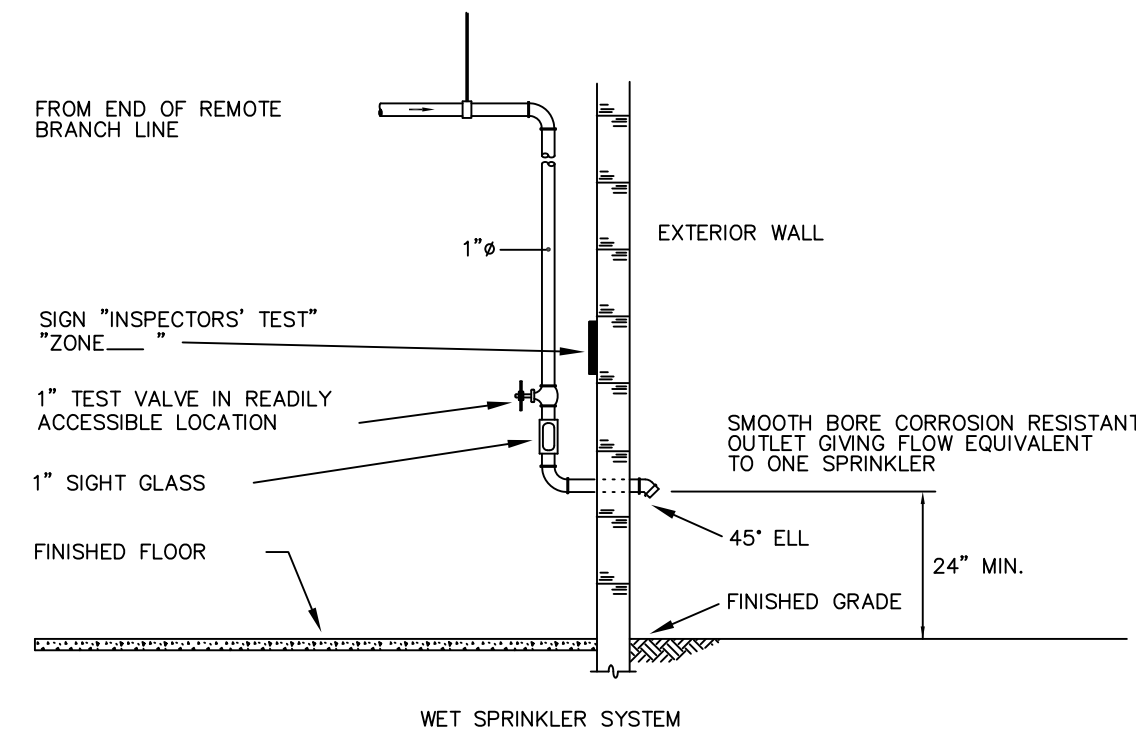
Revision:	Description:	Date:	Revised By:
AS BUILT		1/04/2006	

Drawing Title:
**THIRD FLOOR
 SPRINKLER PLAN**

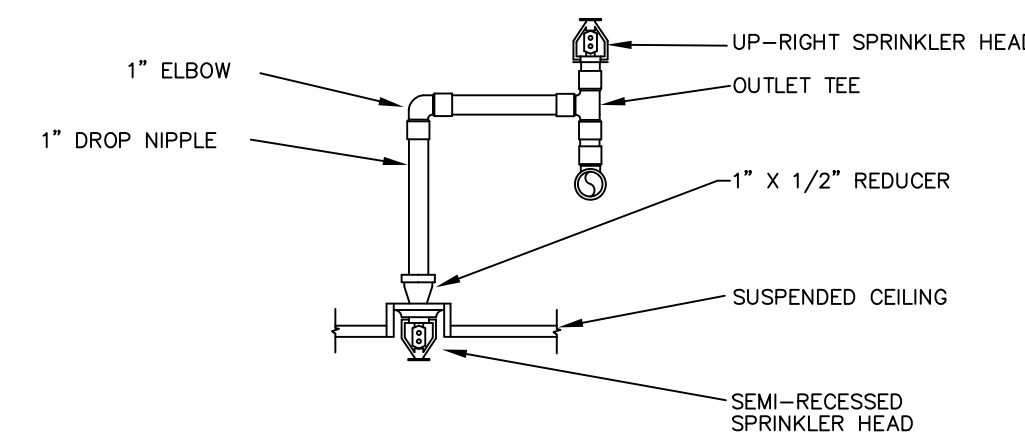
Date:
 May 25, 2004
 Scale:
 1/4" = 1'-0"
 Drawn By:
 Project Number:
FP4



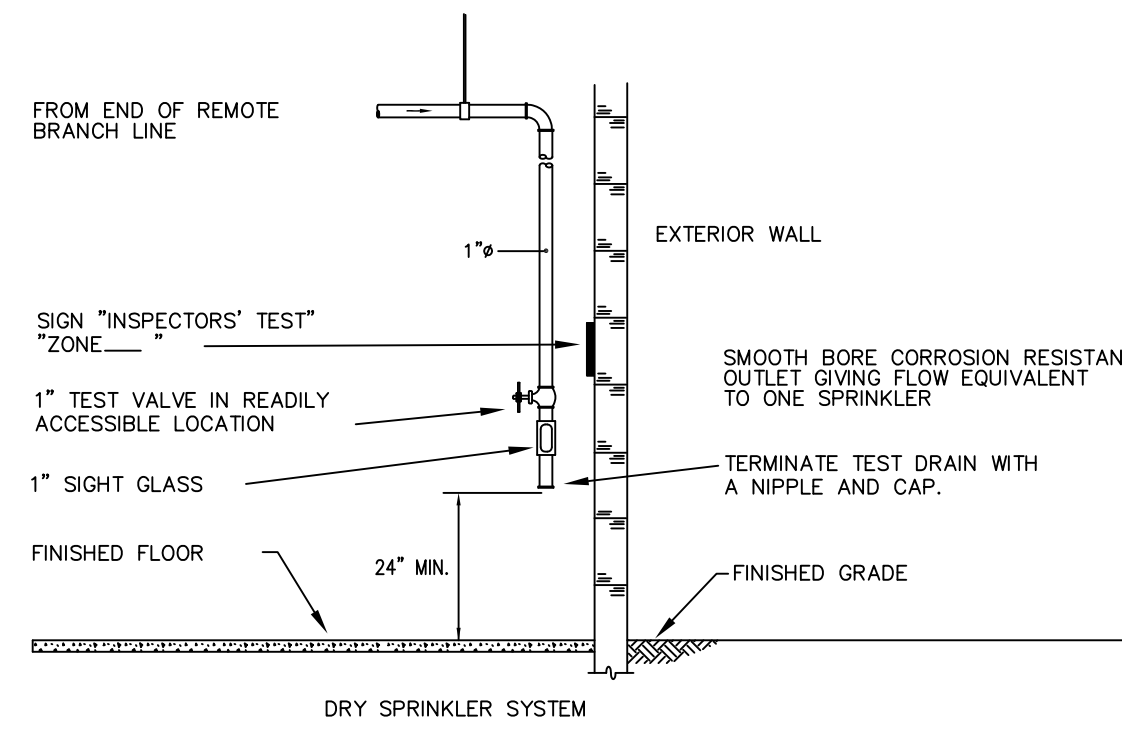
**SPRINKLER HEAD
DETAIL**
SCALE: N.T.S. 1
FP5



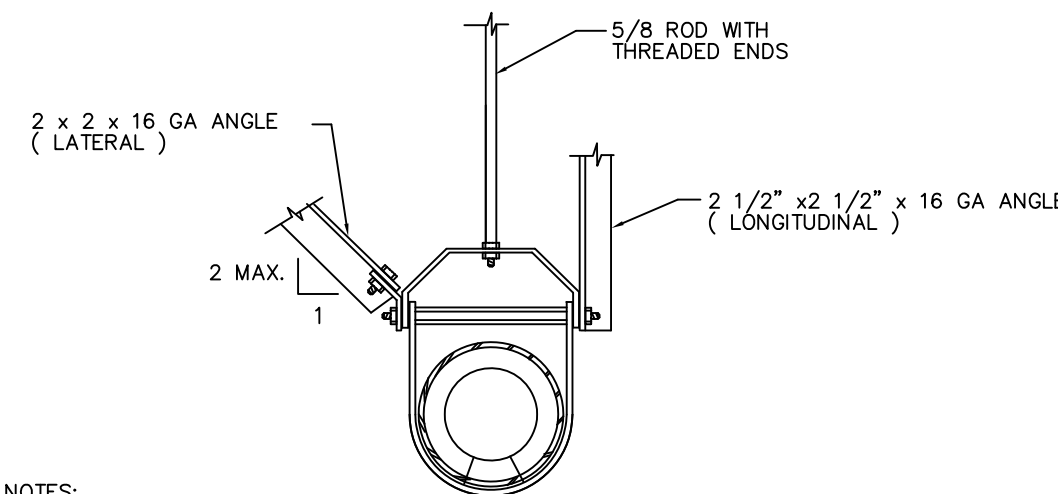
**INSPECTORS TEST
STATION DETAIL**
SCALE: N.T.S. 2
FP5



**CONCEALED SPRINKLER
head DETAIL**
SCALE: N.T.S. 7
FP5



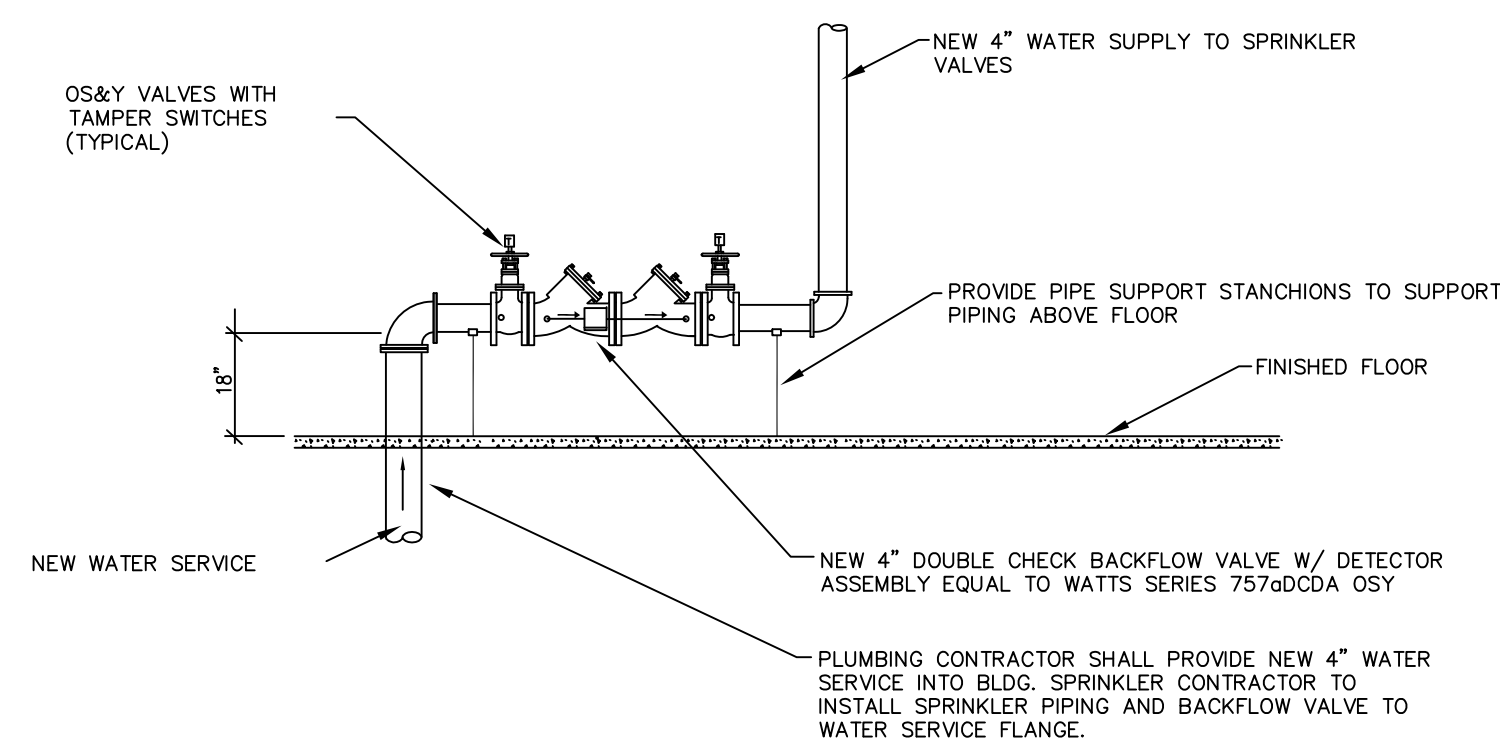
**INSPECTORS TEST
STATION DETAIL**
SCALE: N.T.S. 3
FP5



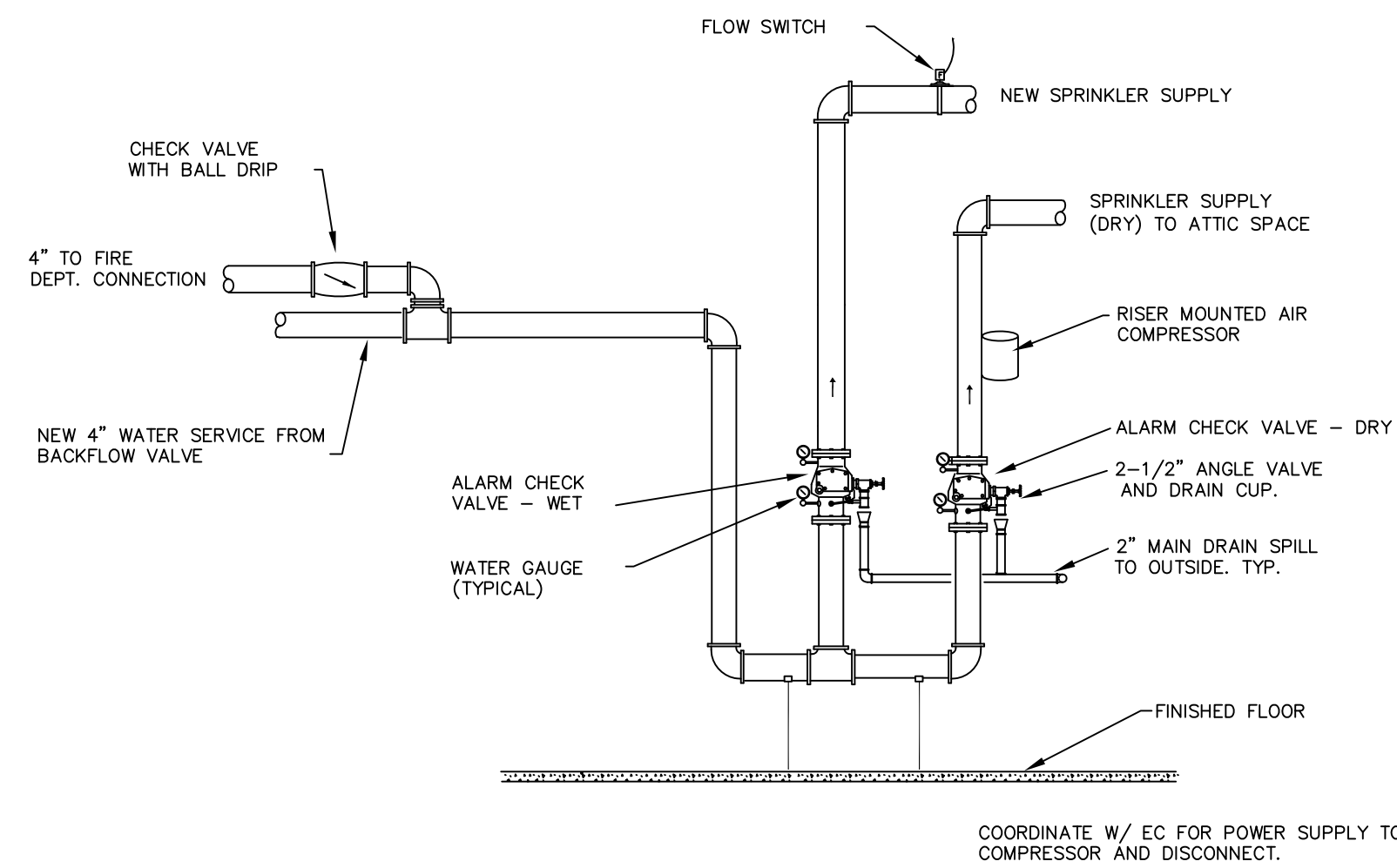
NOTES:

1. PROVIDE LONGITUDINAL AND LATERAL BRACING ON PIPING 2 1/2" AND GREATER, GAS PIPING 1" I.D. AND GREATER AND PIPING IN BOILER AND MECHANICAL ROOMS 1 1/4" AND GREATER, WHERE SUSPENDED 12" OR MORE FROM SUPPORTING STRUCTURE.
2. PROVIDE SIMILAR BRACING ON ALL DUCTWORK WITH CROSS-SECTIONAL AREA OF 6 SF OR GREATER OR DIAMETER OF 28 IN. OR GREATER WHERE SUSPENDED 12" OR MORE FROM SUPPORTING STRUCTURE.
3. MAKE END CONNECTIONS TO EXISTING STRUCTURAL STEEL WITH 1/2" BOLTS OR TO CONCRETE DECK PER CONNECTION TO CONCRETE DETAIL ABOVE.

PIPE SUPPORT DETAIL
SCALE: N.T.S. 5
FP5



BACKFLOW DETAIL
SCALE: N.T.S. 4
FP5



**SPRINKLER SYSTEM
VALVE DETAIL**
SCALE: N.T.S. 6
FP5

FIRE PROTECTION EQUIPMENT LEGEND				
SYMBOL	DESCRIPTION	MANUFACTURER	MODEL NUMBER	REMARKS
○	1/2" SEMI-RECESSED SPRINKLER HEAD QUICK RESPONSE (FRANGIBLE BULB)	VIKING	MODEL M	CHROME PLATED FINISH AND ESOUTCHON
●	1/2" UPRIGHT SPRINKLER HEAD QUICK RESPONSE (FRANGIBLE BULB)	VIKING	MODEL M	BRONZE FINISH
DCDA	DOUBLE CHECK DETECTOR ASSEMBLY	WATTS	7576DCDA OSY	
▽	1/2" SIDEWALL SPRINKLER HEAD QUICK RESPONSE (FRANGIBLE BULB)	STAR SPRINKLER CORP.	MODEL M	
◇	1/2" SIDEWALL SPRINKLER HEAD DRY TYPE (FRANGIBLE HEAD)	STAR SPRINKLER CORP.	MODEL M	

GENERAL NOTES – FIRE PROTECTION

1. THE SPRINKLER SYSTEM DESIGN SHALL BE BASED ON THE CONNECTICUT FIRE CODE AND NFPA 13 (2002). THE SPRINKLER SYSTEM SHALL BE A WET SYSTEM WITH THE EXCEPTION OF THE ATTIC SPACE AND THE STORAGE SPACE ADJACENT TO THE TOILET ROOMS CONNECT TO THE BASEMENT WHICH WILL BE A DRY SYSTEM.
2. THE FIRE PROTECTION CONTRACTOR SHALL COORDINATE WITH THE WATER UTILITY FOR A HYDRANT TEST TO ESTABLISH CURRENT STATIC / RESIDUAL PRESSURES, AND GPM FLOW RATES.
3. THE OCCUPANCY CLASSIFICATION OF THE BUILDING WILL BE A MIXED OCCUPANCY WITH A BUILDING HEIGHT LESS THAN 70 FEET AND APPROX 4400 SF/FLOOR. THE BUILDING HAZARD CLASSIFICATION WILL BE AS FOLLOWS:

BASEMENT LEVEL – STORAGE & MECHANICAL RM. SHALL BE ORDINARY HAZARD GROUP 1, SPRINKLER DENSITY SHALL BE .15 GPM FOR 1500 SF.

BASEMENT LEVEL – OFFICE AND GYMNASIUM SHALL BE LIGHT HAZARD WITH A SPRINKLER DENSITY OF 0.10 GPM FOR 1500 SF.

THE 1ST, 2ND AND 3RD FLOORS SHALL BE LIGHT HAZARD WITH A SPRINKLER DENSITY OF 0.10 GPM FOR 1500 SF.

THE ATTIC SPACE SHALL BE A LIGHT HAZARD WITH A SPRINKLER DENSITY OF .010 GPM FOR 1950 SF.

HOSE ALLOWANCE FOR LIGHT HAZARD DESIGN SHALL BE 100 GPM.
HOSE ALLOWANCE FOR ORDINARY HAZARD SHALL BE 250 GPM.
4. THE EXISTING BUILDING STRUCTURE IS COMPRISED OF WOOD JOISTS/FRAMING AND WOOD FLOORING. SPRINKLER PROTECTION SHALL BE PROVIDED IN THE CONCEALED SPACES ABOVE THE NEW DROP CEILINGS WITHIN THE EXISTING BUILDING STRUCTURE.
5. THE FIRE PROTECTION SYSTEM WILL BE A SPRINKLER SYSTEM, WITH EACH FLOOR HAVING A SEPARATE ZONED SPRINKLER SUPPLY.
6. SPRINKLERS LOCATED IN DROP CEILINGS SHALL BE EITHER SEMI-RECESSED TYPE SPRINKLER HEADS. SPRINKLER HEADS IN EXPOSED AREAS W/O CEILINGS SHALL BE UPRIGHT SPRINKLER HEADS WITH A BRONZE FINISH. SIDEWALL SPRINKLER HEADS IN THE STAIRTOWERS SHALL HAVE A CHROME FINISH. ALL SPRINKLER HEADS SHALL BE A QUICK-RESPONSE TYPE AND HAVE A 135 DEG RATING UNLESS OTHERWISE NOTED.
7. THE MANUFACTURE AND MODEL OF ALL FIRE PROTECTION CONTROL VALVES, ASSOCIATED EQUIPMENT, AND SPRINKLER HEADS SHALL BE FM & UL APPROVED.
8. PROVIDE A REMOTE SPRINKLER TEST STATION FOR EACH SYSTEM, TERMINATE AT AN EXTERIOR WALL IN AN ACCESSIBLE LOCATION(S). SEE DETAIL.
9. PRIOR TO ANY INSTALLATION OF THE NEW FIRE PROTECTION SYSTEM THE SPRINKLER CONTRACTOR SHALL PROVIDE/SUBMIT 2 SET OF THE HYDRAULIC CALCULATIONS AND SHOP DRAWINGS FOR THE FIRE PROTECTION SYSTEMS BASED ON THE REQUIRED DENSITY AND HOSE STREAM REQUIREMENTS. TO THE FIRE MARSHALL FOR REVIEW. SUBMIT 4 COPIES OF APPROVED HYDRAULIC CALCULATIONS AND SHOP DRAWINGS TO ENGINEER FOR REVIEW.
10. PROVIDE ENGRAVED SIGNS FOR EACH SPRINKLER SYSTEM STATING THE SYSTEM DESIGN PARAMETERS. HANG SIGNS ON ALARM VALVES WITH CHAINS. PROVIDE ENGRAVED SIGNS FOR ZONE CONTROL VALVE INDICATING ZONE. SUBMIT SHOP DRAWINGS FOR SIGNS AND LETTERING.

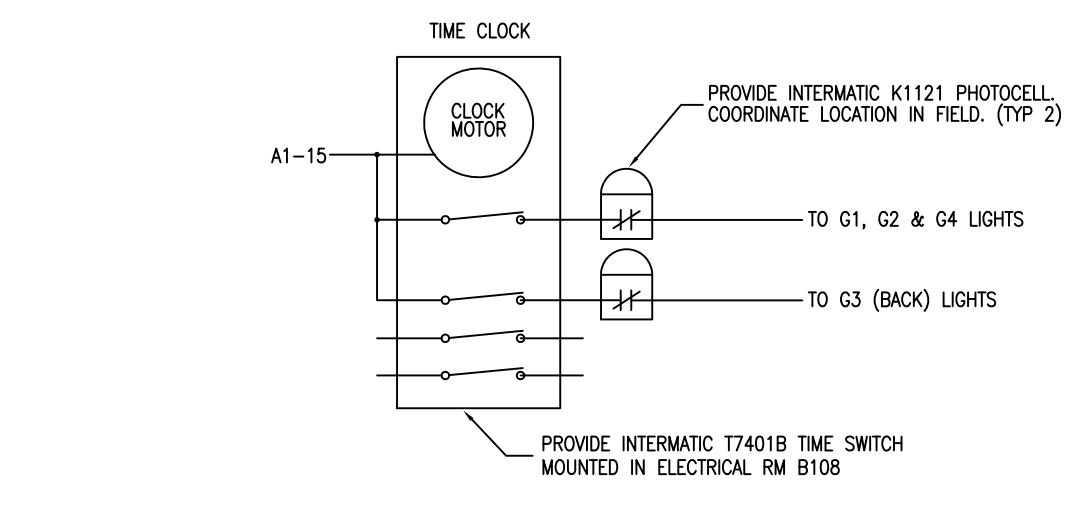
PROVIDE SPRINKLER HEAD CABINET WITH SPARE SPRINKLER HEADS IN MECHANICAL ROOM.
11. THE SPRINKLER CONTRACTOR MUST COORDINATE THE INSTALLATION OF NEW SPRINKLER DISTRIBUTION MAINS WITH THE HVAC, ELECTRICAL, AND EXISTING STRUCTURE. FIELD COORDINATE ALL WORK.
12. THESE DRAWINGS DO NOT SHOW SPRINKLER HEAD LOCATIONS FOR THE CONCEALED SPACES ABOVE THE DROP CEILINGS. SPRINKLER CONTRACTOR MUST FIELD COORDINATE HEAD LOCATIONS DUE TO DUCT ROUTINGS AND FLOOR FRAMING.
- 13.
- 14.

Project Title: RENOVATIONS TO:
GLENBROOK COMMUNITY CENTER
35 CRESCENT STREET
STAMFORD, CONNECTICUT 06906

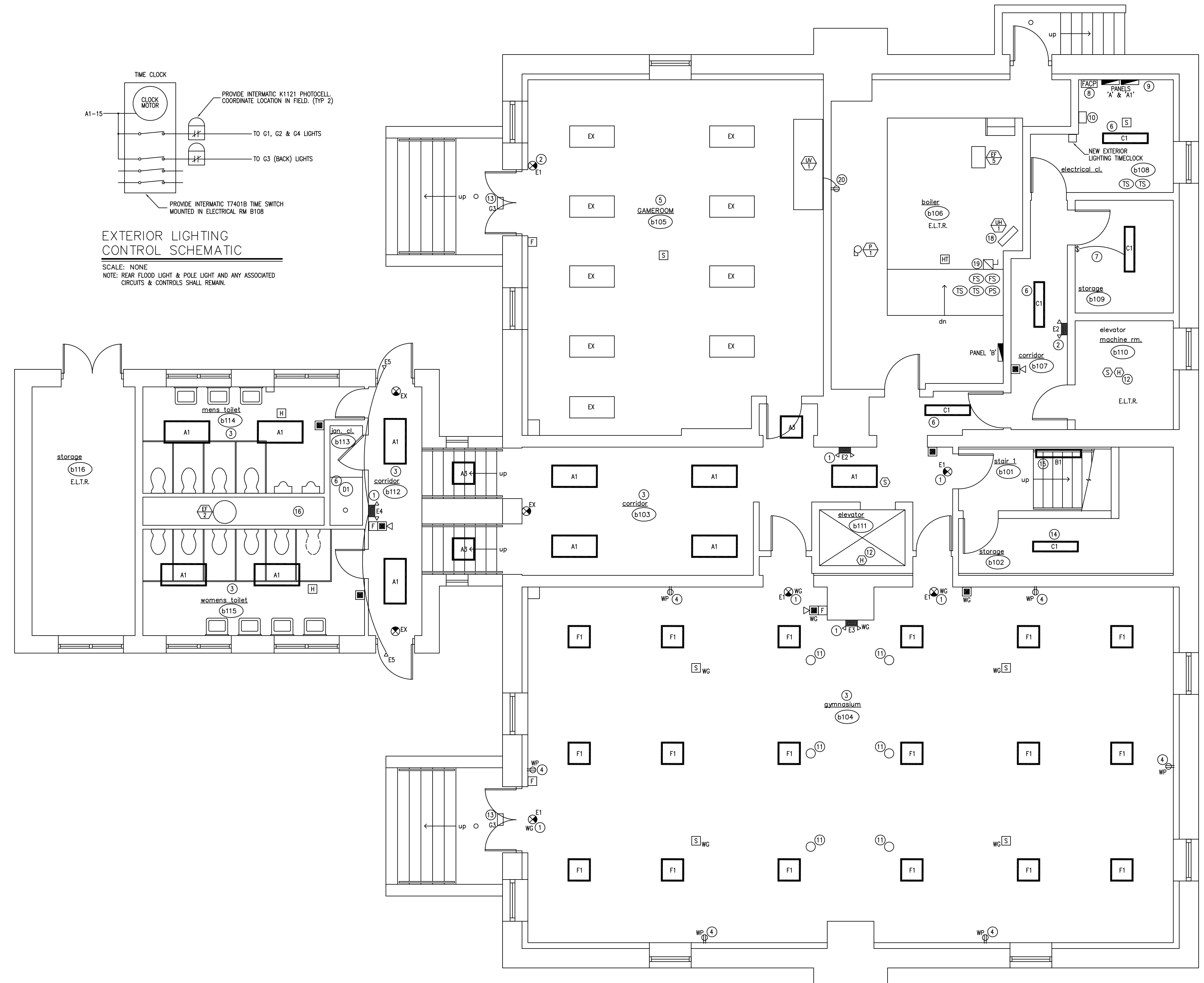
Revision	Description	Date	Revised By
AS BUILT		1/04/2008	

Drawing Title: **FIRE PROTECTION
DETAILS**

Drawing Number: **FP5**
Date: **May 25, 2004**
Scale: **1/4" = 1'-0"**
Drawn By:
Project Number:



EXTERIOR LIGHTING CONTROL SCHEMATIC
SCALE: NONE
NOTE: REAR FLOOD LIGHT & POLE LIGHT AND ANY ASSOCIATED CIRCUITS & CONTROLS SHALL REMAIN.



basement floor ELECTRICAL PLAN
SCALE: 1/4" = 1'-0"
project NORTH

SYMBOL LEGEND

- ELECTRICAL PANEL, 120/208 VOLT
- TYPICAL RECESSED FLUORESCENT TROFFER; SUBLETTER INDICATES FIXTURE TYPE.
- EXISTING RECESSED FLUORESCENT FIXTURE. PROVIDE MODIFICATIONS NOTED.
- TYPICAL SURFACE MOUNTED OR CHAN HUNG FLUORESCENT FIXTURE.
- WALL MOUNTED FIXTURE; SUBLETTER INDICATES FIXTURE TYPE.
- SURFACE MOUNTED OR RECESSED FIXTURE; SUBLETTER INDICATES FIXTURE TYPE.
- TRACK FIXTURE WITH QUANTITY OF HEADS SHOWN; SUBLETTER INDICATES FIXTURE TYPE.
- POLE LIGHT; SUBLETTER INDICATES FIXTURE TYPE.
- CEILING OR WALL-MOUNTED, SELF-CONTAINED EXIT SIGN. SHADING INDICATES DIRECTION OF FIXTURE FACE. ARROW INDICATES DIRECTION OF CHEVON.
- CEILING OR WALL-MOUNTED, SELF-CONTAINED EMERGENCY LIGHT UNIT. PROVIDE UNSWITCHED POWER FROM AREA LTG CIRCUIT. MOUNT AT 7'-2" AFF UNLESS NOTED OTHERWISE.
- EMERGENCY LIGHTING REMOTE HEAD. CONNECT TO NEARBY BATTERY UNIT.
- SINGLE-POLE SWITCH; MOUNT AT 48" AFF
- DUPLEX RECEPTACLE; MOUNT AT 18" AFF UNLESS OTHERWISE SPECIFIED.
- QUAD RECEPTACLE; MOUNT AT 18" AFF UNLESS OTHERWISE SPECIFIED.
- GROUND FAULT PROTECTED DUPLEX RECEPTACLE; MOUNT AT 48" AFF UNLESS OTHERWISE SPECIFIED.
- TAMPER RESISTANT DUPLEX RECEPTACLE; MOUNT AT 18" AFF UNLESS OTHERWISE SPECIFIED.
- DUPLEX RECEPTACLE WITH WEATHERPROOF COVERPLATE.
- FUSED DISCONNECT SWITCH.
- NON-FUSED DISCONNECT SWITCH.
- RECESSED CEILING SPEAKER.
- CALL-FOR-AID SWITCH; MOUNT AT 48" AFF WITH CORD EXTENDING TO WITHIN 12" OF FLOOR.
- CALL-FOR-AID CORRIDOR LIGHT/BUZZER.
- EQUIPMENT TAG. REFER TO SCHEDULE ON DRAWING E4 FOR REQUIREMENTS.
- RELOCATED FIXTURE OR DEVICE TO BE RELOCATED. NEW LOCATION SHOWN.
- EXISTING FIXTURE OR DEVICE TO REMAIN. PROVIDE NEW COVERPLATE FOR EXISTING RECEPTABLES.
- DEVICE TO BE FURNISHED WITH WIRE GUARD.
- REFER TO FIRE ALARM LEGEND ON DRAWING E5 FOR ADDITIONAL SYMBOLS.

GENERAL NOTES

1. SPECIFICATION SECTIONS, GENERAL CONDITIONS, SUPPLEMENTAL GENERAL CONDITIONS AND DRAWINGS ARE INTEGRAL PARTS OF CONTRACT DOCUMENTS.
2. SYSTEM COMPONENTS ARE LOCATED APPROXIMATELY ON DRAWINGS. BASE ACTUAL LOCATIONS ON FIELD VERIFICATION OF EXISTING BUILDING CHARACTERISTICS INCLUDING BUT NOT LIMITED TO STRUCTURAL, MECHANICAL, ELECTRICAL & ARCHITECTURAL COMPONENTS.
3. ALL WORK AND ACTION DEPICTED AND DESCRIBED IN CONTRACT DOCUMENTS SHALL BE PERFORMED BY THE CONTRACTOR UNLESS SPECIFICALLY NOTED OTHERWISE.
4. REFERENCE TO SPECIFIC SUBCONTRACTORS SUCH AS "MECHANICAL", "ELECTRICAL", ETC. ARE INTENDED TO SUGGEST POSSIBLE DIVISION OF RESPONSIBILITY. PRIME CONTRACTOR SHALL BE RESPONSIBLE FOR COORDINATION AND EXECUTION OF ALL WORK.
5. OBTAIN AND PAY FOR ALL REQUIRED PERMITS AND INSPECTIONS.
6. ALL EQUIPMENT, MATERIALS AND RELATED SYSTEM COMPONENTS SHALL BE NEW UNLESS SPECIFICALLY NOTED OTHERWISE.
7. REPAIR AND REPLACE AT NO COST TO OWNER ALL EQUIPMENT AND MATERIALS DAMAGED DURING CONSTRUCTION.
8. CIRCUITING DEPICTED FOR RECEPTABLES & LIGHTING FIXTURES DEFINE GROUPING OF FIXTURES, DEVICES AND COMPONENTS AND REQUIRED CONDUCTORS. CIRCUITING IS NOT INTENDED TO DEFINE CONDUIT LOCATIONS.
9. STUDY THE PROJECT MANUAL & DRAWINGS OF OTHER DISCIPLINES INCLUDING ARCHITECTURAL, STRUCTURAL, CIVIL & MECHANICAL.
10. ELECTRICAL CONDUITS & BOXES SHALL BE CONCEALED IN WALLS OR ABOVE CEILING WHEREVER POSSIBLE.
11. FURNISH & INSTALL GFCI RECEPTABLES IN ALL WET LOCATIONS.
12. ALL PENETRATIONS THRU RATED WALLS & CEILINGS SHALL BE SEALED USING U.L. LISTED METHODS APPROPRIATE FOR INDICATED RATING.
13. ELECTRICAL DEMOLITION TO BE SUPERVISED BY LICENSED ELECTRICAL CONTRACTOR. EACH CIRCUIT TO BE VERIFIED "COLD" & DISCONNECTED FROM ELECTRICAL SERVICE PRIOR TO COMMENCING REMOVAL.
14. REMOVE EXISTING ELECTRICAL EQUIPMENT & MATERIALS AS REQUIRED TO ACCOMMODATE ARCHITECTURAL WORK AND AS SPECIFICALLY NOTED ON THE DRAWINGS.
15. ALL MATERIALS BEING REMOVED SHALL BE HANDLED IN A MANNER COMPLYING WITH ALL PERTINENT LAWS, CODES AND ENVIRONMENTAL REGULATIONS.
16. WHERE ELECTRICAL EQUIPMENT & DEVICES ARE BEING REMOVED, COORDINATE AND FIELD VERIFY IF BRANCH CIRCUIT FEEDS THRU EQUIPMENT/DEVICE BEING REMOVED TO EQUIPMENT/DEVICE TO REMAIN. BRANCH CIRCUITS SHALL BE SPLICED OR RELOCATED TO MAINTAIN CONTINUATION OF SERVICES.
17. REMOVE & DISPOSE OF LIGHT FIXTURES, EXIT SIGNS & EMERGENCY LIGHTS WHERE NEW ITEMS ARE SHOWN. REUSE EXISTING BRANCH CIRCUITS.
18. WHERE EXISTING DEVICES ARE REMOVED & NO NEW DEVICES ARE INSTALLED IN THE SAME LOCATION, REMOVE ALL WIRING FROM BOX & PROVIDE PROPERLY SIZED BLANK COVER PLATE.
19. CONTRACTOR SHALL REMOVE ALL FLUORESCENT LIGHT FIXTURE BALLASTS & IDENTIFY THOSE CONTAINING PCB'S. THESE SHALL BE TURNED OVER TO THE OWNER FOR DISPOSAL.
20. ALL REMOVED COMPONENTS SHALL BE LEGALLY DISPOSED OF BY CONTRACTOR UNLESS SPECIFICALLY NOTED OTHERWISE.

PLAN NOTES

- 1) REPLACE EXISTING EXIT SIGN OR EMERGENCY LIGHT WITH NEW IN SAME LOCATION.
- 2) INSTALL NEW EMERGENCY LIGHT OR EXIT SIGN. CONNECT TO UNSWITCHED POWER FROM AREA LIGHTING CIRCUIT.
- 3) REMOVE EXISTING LIGHTS IN THIS AREA. INSTALL NEW IN NEW CEILING GRID AND CONNECT TO EXISTING CIRCUIT & SWITCH(ES).
- 4) REPLACE EXISTING RECEPTABLES IN THESE LOCATIONS WITH NEW. PROVIDE ONE DEDICATED 120V, 20A BRANCH CIRCUIT FROM PANEL 'B' TO APPROXIMATELY HALF OF THE RECEPTABLES IN THIS ROOM. PROVIDE NEW WEATHERPROOF COVERPLATES.
- 5) REMOVE EXISTING FIXTURES IN THIS AREA. STORE, RELAMP & REINSTALL IN NEW CEILING.
- 6) REMOVE EXISTING SURFACE MOUNTED FIXTURE & INSTALL NEW FIXTURE IN SAME LOCATION.
- 7) PROVIDE NEW SWITCH & LIGHT FIXTURE FOR THIS SPACE. CONNECT TO EXISTING LIGHTING CIRCUIT IN THIS AREA.
- 8) EXISTING FIRE ALARM CONTROL PANEL TO BE REPLACED. REFER TO SCHEMATIC ON DRAWING E5 FOR DETAILS.
- 9) DISCONNECT 100A, 3Ø POWER CONNECTION TO SNOW MELTING SYSTEM AND LABEL AS INACTIVE.
- 10) REPLACE EXISTING ELEVATOR DISCONNECT SWITCH WITH NEW 100A ENCLOSED SHUNT-TRIP CIRCUIT BREAKER. REFER TO ELEVATOR SHUNT-TRIP SCHEMATIC ON DRAWING E5 FOR DETAILS.
- 11) REMOVE EXISTING RECESSED DOWNLIGHT. RELAMP & REINSTALL IN NEW CEILING.
- 12) INSTALL HEAT DETECTOR WITHIN 24" OF SPRINKLER HEAD.
- 13) REMOVE EXISTING EXTERIOR FIXTURE & INSTALL NEW IN SAME LOCATION. REFER TO EXTERIOR LIGHTING SCHEMATIC ON THIS SHEET FOR CIRCUITING & CONTROL. MOUNT ON STONE ABOVE DOOR & PROVIDE NEW CONDUIT THROUGH DOOR FRAME INTO BUILDING.
- 14) REMOVE EXISTING SURFACE MOUNTED FIXTURE & INSTALL NEW FIXTURE IN SIMILAR LOCATION ON NEW CEILING.
- 15) REMOVE EXISTING WALL MOUNTED INCANDESCENT FIXTURE & INSTALL NEW FLUORESCENT WALL BRACKET IN SAME LOCATION.
- 16) DISCONNECT POWER TO 2 CONDENSING UNITS & 2 EXHAUST FANS ON THIS ROOF. REMOVE ALL ASSOCIATED WIRING. CONDUIT MAY BE REUSED IF APPROPRIATE FOR NEW LOADS. COORDINATE WITH ROOFING CONTRACTOR TO RAISE EXISTING CONDUIT SERVING POLE LIGHT.
- 17) PROVIDE NEW FEEDER FROM PANEL A1 TO NEW NEMA 3Ø WIRING MOUNTED ON BUILDING EXTERIOR. PROVIDE DISCONNECT SWITCHES AS SCHEDULED & CONNECTION TO CONDENSING UNITS. COORDINATE WITH MECHANICAL & GENERAL CONTRACTORS TO PROVIDE 6Ø ALTERNATE TO INSTALL THESE UNITS ON THE TOILET ROOM ROOF.
- 18) CONNECT NEW UNIT HEATER TO EXISTING RECEPTACLE CIRCUIT SERVING THIS AREA.
- 19) PROVIDE 120V, 20A DEDICATED BRANCH CIRCUIT FROM PANEL B FOR NEW SPRINKLER COMPRESSOR.
- 20) PROVIDE RECEPTACLE IN BOILER ROOM FOR CONDENSATE PUMP. CONNECT TO SAME CIRCUIT SERVING UV-1.

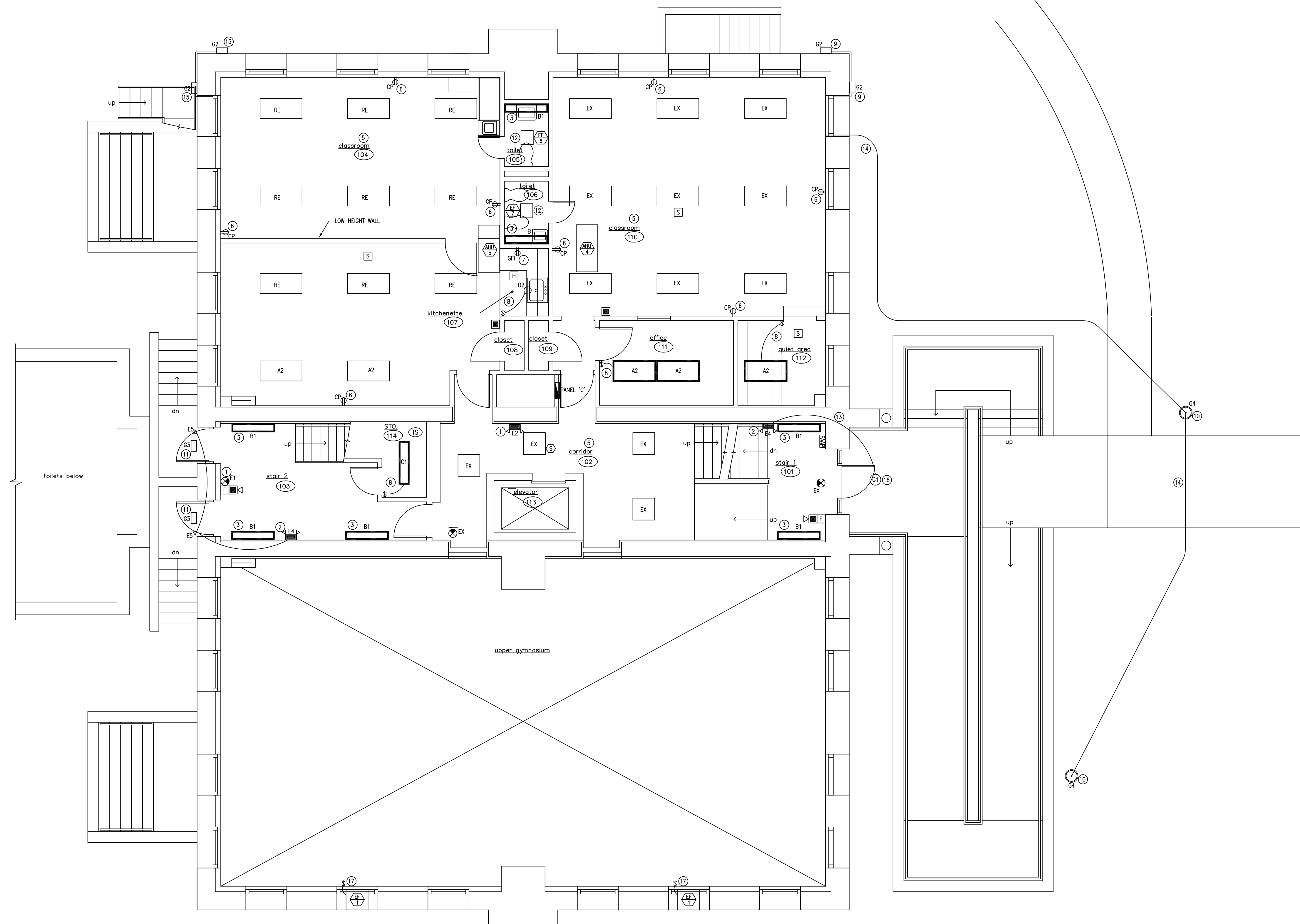
REFER TO ARCHITECTURAL PHASING PLAN AND COORDINATE SCHEDULING OF ALL WORK WITH GENERAL CONTRACTOR & OWNER

Project Title:
RENOVATIONS TO:
GLENBROOK COMMUNITY CENTER
35 CRESCENT STREET
STAMFORD, CONNECTICUT 06906

Revision	Description	Date	Revised By
AS BUILT		1/04/2006	

Drawing Title:
BASEMENT ELECTRICAL PLAN

Date: MAY 25, 2004
Scale: 1/4" = 1'-0"
Project Number:
E1



FIRST FLOOR
ELECTRICAL PLAN
SCALE: 1/4" = 1'-0"
project
NORTH

PLAN NOTES

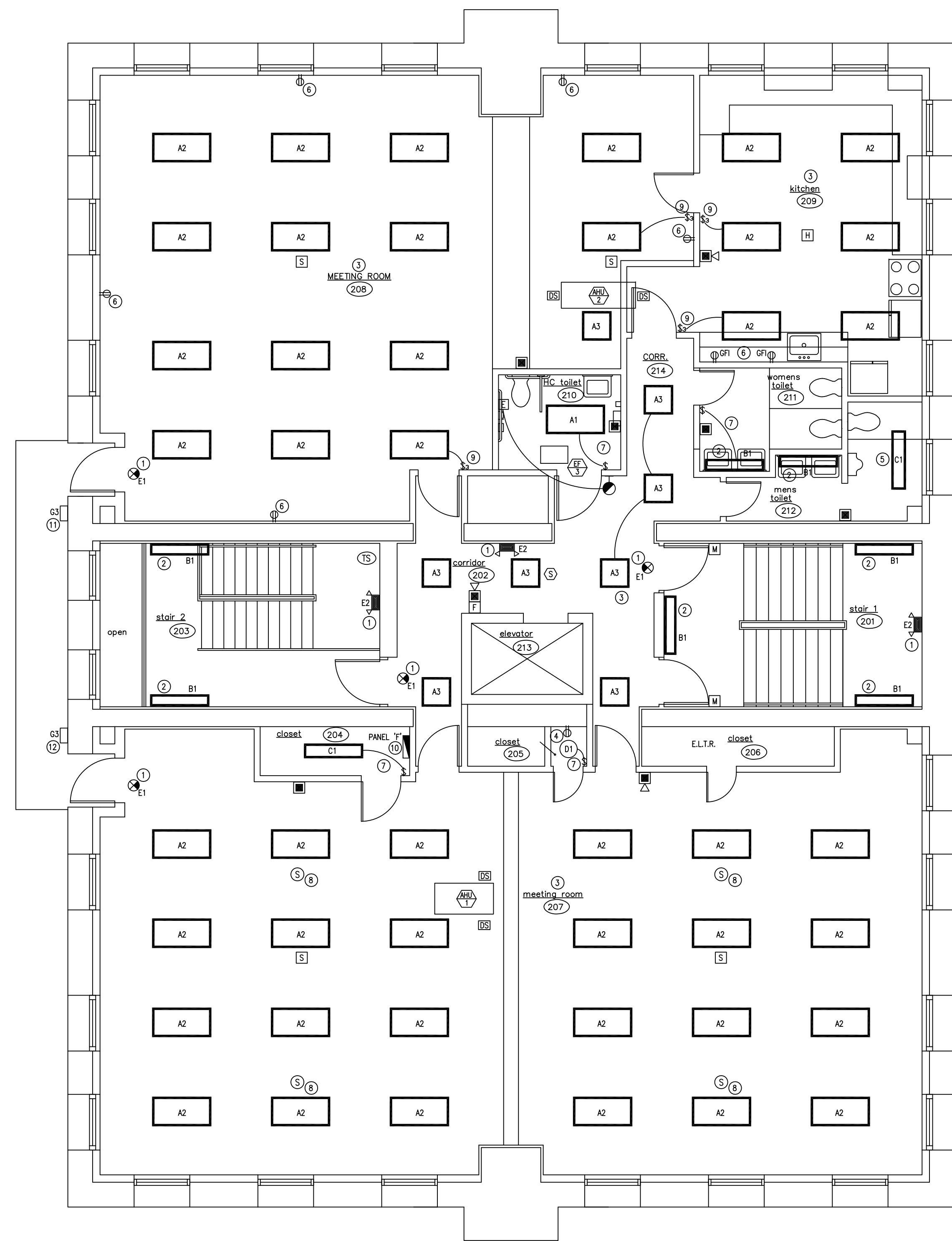
- 1) REPLACE EXISTING EXIT SIGN OR EMERGENCY LIGHT WITH NEW IN SAME LOCATION.
- 2) INSTALL NEW EMERGENCY LIGHT. CONNECT TO UNSWITCHED POWER FROM AREA LIGHTING CIRCUIT.
- 3) REMOVE EXISTING WALL MOUNTED INCANDESCENT FIXTURE & INSTALL NEW FLUORESCENT WALL BRACKET IN SAME LOCATION.
- 4) REMOVE EXISTING LIGHTS IN THIS AREA. INSTALL NEW IN NEW CEILING GRID AND CONNECT TO EXISTING CIRCUIT & SWITCH(ES).
- 5) REMOVE EXISTING FIXTURES IN THIS AREA. STORE, RELAMP & REINSTALL IN NEW CEILING.
- 6) REPLACE EXISTING RECEPTACLE WITH NEW IN SAME LOCATION. CONNECT TO EXISTING CIRCUIT. PROVIDE NEW COVERPLATE.
- 7) PROVIDE NEW RECEPTACLE(S) AND ONE DEDICATED 120V, 20A BRANCH CIRCUIT FROM PANEL 'C'.
- 8) PROVIDE NEW SWITCH & LIGHT FIXTURE FOR THIS SPACE. CONNECT TO EXISTING LIGHTING CIRCUIT IN THIS AREA.
- 9) REMOVE EXISTING EXTERIOR FIXTURE & INSTALL NEW IN SAME LOCATION. REFER TO SCHEMATIC ON DRAWING E1 FOR BRANCH CIRCUIT & CONTROL. PROVIDE NEW CONDUIT AROUND CORNER & INTO BUILDING THROUGH WINDOW FRAME. COORDINATE WITH EXISTING DOWNSPOUT.
- 10) PROVIDE NEW DECORATIVE POLE LIGHT. REFER TO DRAWING E5 FOR BASE DETAIL. REFER TO SCHEMATIC ON DRAWING E1 FOR BRANCH CIRCUIT & CONTROL.
- 11) REMOVE EXISTING FLOODLIGHT. INSTALL NEW FIXTURE JUST ABOVE DOOR. REFER TO SCHEMATIC ON DRAWING E1 FOR BRANCH CIRCUIT & CONTROL.
- 12) PROVIDE CONNECTION FROM EXISTING RECEPTACLE CIRCUIT SERVING THIS AREA TO NEW EXHAUST FAN.
- 13) CONNECT DC LAMP IN EXTERIOR FIXTURE TO NEARBY BATTERY UNIT FOR EMERGENCY LIGHTING.
- 14) PROPOSED ROUTE OF NEW UNDERGROUND CONDUIT SERVING NEW POLE LIGHTS. RUN OUT OF BASEMENT THEN UNDERGROUND TO FIRST POLE. EXCAVATE UNDER EXISTING CONCRETE WALK TO CONTINUE RUN TO SECOND POLE.
- 15) INSTALL NEW EXTERIOR FIXTURE AT SAME HEIGHT AS OTHER G2 FIXTURES. REFER TO SCHEMATIC ON DRAWING E1 FOR BRANCH CIRCUIT & CONTROL. PROVIDE NEW CONDUIT AROUND CORNER & INTO BUILDING THROUGH WINDOW FRAME. COORDINATE WITH EXISTING DOWNSPOUT.
- 16) REMOVE EXISTING EXTERIOR FIXTURE & INSTALL NEW IN SAME LOCATION. REFER TO SCHEMATIC ON DRAWING E1 FOR BRANCH CIRCUIT & CONTROL.
- 17) DISCONNECT POWER TO EXISTING EXHAUST FAN & CONNECT TO NEW. PROVIDE NEW WALL SWITCH FOR CONTROL.

REFER TO ARCHITECTURAL PHASING PLAN AND COORDINATE SCHEDULING OF ALL WORK WITH GENERAL CONTRACTOR & OWNER

Project Title:
RENOVATIONS TO:
GLENBROOK COMMUNITY CENTER
35 CRESCENT STREET
STAMFORD, CONNECTICUT 06906

Revision	Description	Date	Revised By
AS BUILT		1/04/2006	

Drawing Title:
FIRST FLOOR ELECTRICAL PLAN
Date:
MAY 25, 2004
Scale:
1/4" = 1'-0"
Drawn By:
Project Number:
E2



PER F.M.
 MEETING ROOMS 207/208
 ADD ONE TYPE E1
 EXIT SIGN AT THE SOUTH DOOR
 ADD ONE TYPE E-5 REMOTE
 EMERGENCY HEAD OUTSIDE
 THESE DOORS
 ADD ONE TYPE E-4 EMERGENCY
 LIGHT ON THE WALL COMMON WITH
 STAIR 203

- PLAN NOTES**
- 1 REPLACE EXISTING EXIT SIGN OR EMERGENCY LIGHT WITH NEW IN SAME LOCATION.
 - 2 REMOVE EXISTING WALL MOUNTED INCANDESCENT FIXTURE & INSTALL NEW FLUORESCENT WALL BRACKET IN SAME LOCATION.
 - 3 REMOVE EXISTING LIGHTS IN THIS AREA. INSTALL NEW IN NEW CEILING GRID AND CONNECT TO EXISTING CIRCUIT & SWITCH(ES).
 - 4 PROVIDE NEW RECEPTACLE(S) AND ONE DEDICATED 120V, 20A BRANCH CIRCUIT FROM PANEL "C".
 - 5 REMOVE EXISTING SURFACE MOUNTED FIXTURE & INSTALL NEW FLUORESCENT WRAP AROUND IN SAME LOCATION.
 - 6 REPLACE EXISTING RECEPTACLE WITH NEW IN SAME LOCATION. CONNECT TO EXISTING CIRCUIT. PROVIDE NEW COVERPLATE.
 - 7 PROVIDE NEW SWITCH & LIGHT FIXTURE FOR THIS SPACE. CONNECT TO EXISTING LIGHTING CIRCUIT IN THIS AREA.
 - 8 REMOVE EXISTING RECESSED CEILING SPEAKER. STORE & REINSTALL IN APPROXIMATELY SAME LOCATION IN NEW CEILING.
 - 9 REMOVE EXISTING SWITCH SERVING THIS SPACE. PROVIDE NEW SWITCHES AS SHOWN & CONNECT TO EXISTING BRANCH CIRCUIT.
 - 10 REFER TO DRAWING E5 FOR DETAILS OF NEW PANEL "C".
 - 11 REMOVE EXISTING FLOODLIGHT & INSTALL NEW FIXTURE IN SAME LOCATION. REFER TO SCHEMATIC ON DRAWING E1 FOR BRANCH CIRCUIT & CONTROL.
 - 12 INSTALL NEW EXTERIOR FIXTURE AT SAME HEIGHT AS NEARBY E3 FIXTURE. REFER TO SCHEMATIC ON DRAWING E1 FOR BRANCH CIRCUIT & CONTROL.

second floor
ELECTRICAL PLAN
 SCALE: 1/4" = 1'-0"
 project NORTH

REFER TO ARCHITECTURAL PHASING PLAN
 AND COORDINATE SCHEDULING OF ALL WORK
 WITH GENERAL CONTRACTOR & OWNER

Project Title:
 RENOVATIONS TO:
GLENBROOK COMMUNITY CENTER
 35 CRESCENT STREET
 STAMFORD, CONNECTICUT 06906

Revision	Description	Date	Revised By
AS BUILT		1/04/2006	

Drawing Title:
**SECOND FLOOR
 ELECTRICAL PLAN**

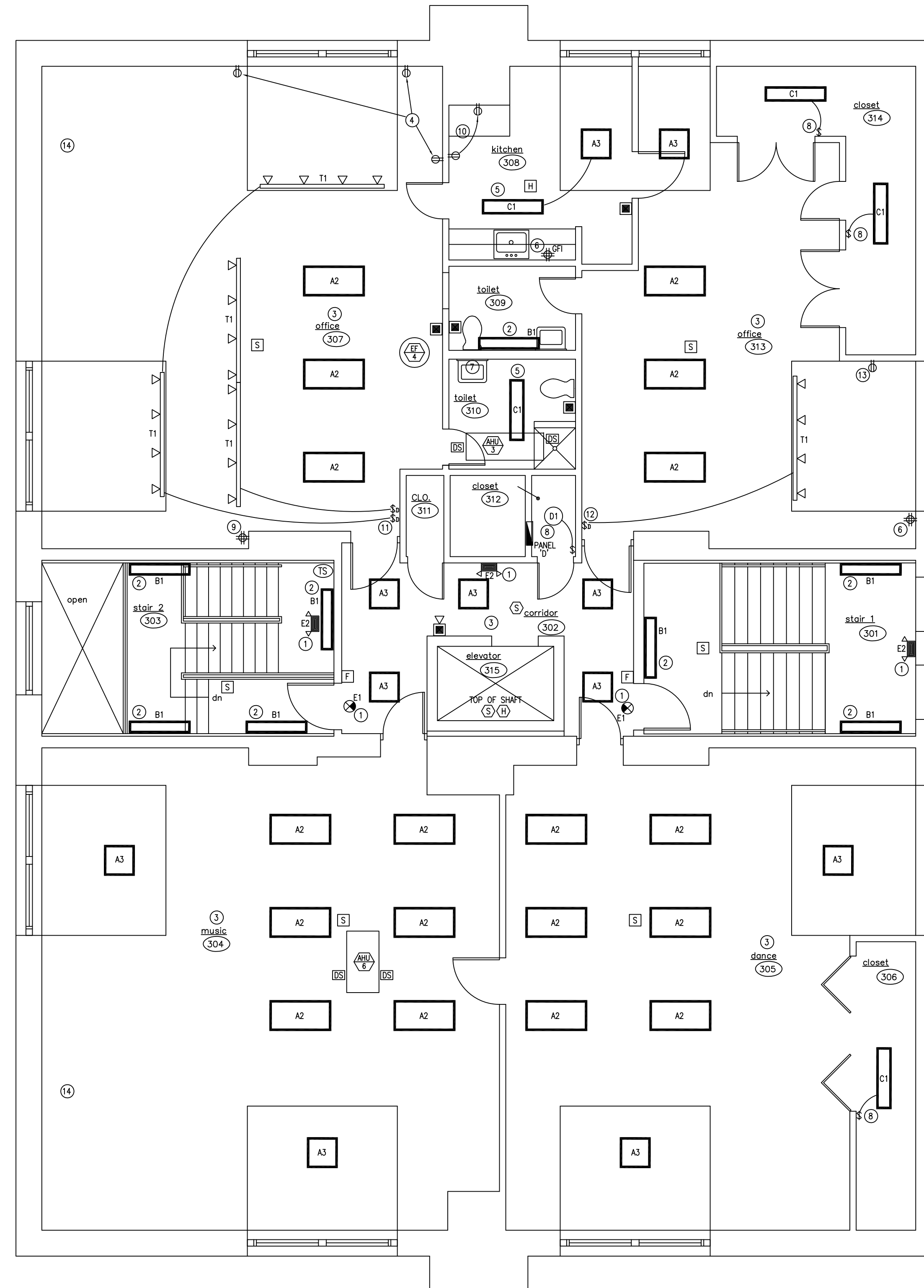
Date:
 MAY 25, 2004

Scale:
 1/4" = 1'-0"

Drawn By:

Project Number:

E3



third floor
ELECTRICAL PLAN
SCALE: 1/4" = 1'-0"
project
NORTH

EQUIPMENT SCHEDULE

SYMBOL	VOLTAGE	PHASE	CIRCUIT AMPS	BREAKER	PANEL CIRCUIT	WIRE	CONNECTION
CU-1	208	1	30	30A/2P	A1-13,15	3 #10	NEMA 3R FUSED DISCONNECT
CU-2	208	1	45	NOTE 1	NOTE 1	3 #8	NEMA 3R FUSED DISCONNECT
CU-3	208	1	45	NOTE 1	NOTE 1	3 #8	NEMA 3R FUSED DISCONNECT
CU-4	208	1	60	NOTE 1	NOTE 1	3 #6	NEMA 3R FUSED DISCONNECT
CU-5	208	1	45	NOTE 1	NOTE 1	3 #8	NEMA 3R FUSED DISCONNECT
CU-6	208	3	50	NOTE 1	NOTE 1	3 #8	NEMA 3R FUSED DISCONNECT
CU-7	208	3	50	NOTE 1	NOTE 1	3 #8	NEMA 3R FUSED DISCONNECT
CU-8	208	1	45	NOTE 1	NOTE 1	3 #8	NEMA 3R FUSED DISCONNECT
CU-9	208	1	60	NOTE 1	NOTE 1	3 #6	NEMA 3R FUSED DISCONNECT
AHU-1	208	1	20	20A/2P	F-1,3	4 #12	NEMA 1 FUSED DISC. & STARTER
AHU-2	208	1	20	20A/2P	F-2,4	4 #12	NEMA 1 FUSED DISC. & STARTER
AHU-3	208	1	20	20A/2P	F-5,7	4 #12	NEMA 1 NON-FUSED DISCONNECT
AHU-4	208	1	20	20A/2P	A1-14,16	4 #12	NEMA 1 NON-FUSED DISCONNECT
AHU-5	208	1	20	20A/2P	A1-18,20	4 #12	NEMA 1 NON-FUSED DISCONNECT
AHU-6	208	1	20	20A/2P	F-6,8	4 #12	NEMA 1 FUSED DISC. & STARTER
UV-1	120	1	20	20A/1P	EXISTING	3 #12	NON-FUSED DISCONNECT
EF-1	120	1	20	20A/1P	EXISTING	3 #12	NON-FUSED DISCONNECT
EF-2	120	1	20	20A/1P	A1-17	3 #12	HARDWIRE TO DISC. FURN. WITH UNIT
EF-3	120	1	20	20A/1P	F-11	3 #12	HARDWIRE TO DISC. FURN. WITH UNIT
EF-4	120	1	20	20A/1P	F-9	3 #12	HARDWIRE TO DISC. FURN. WITH UNIT
EF-5	120	1	20	20A/1P	PANEL B	3 #12	HARDWIRE TO DISC. FURN. WITH UNIT
EF-6	120	1	20	20A/1P	EXISTING	3 #12	NON-FUSED DISCONNECT
EF-7	120	1	20	20A/1P	EXISTING	3 #12	NON-FUSED DISCONNECT
P-1	208	3	20	20A/3P	PANEL B	4 #12	NEMA 1 FUSED DISC. & STARTER
UH-1	120	1	20	20A/1P	EXISTING	3 #12	NON-FUSED DISCONNECT

NOTES:
 1. SEVERAL CONDENSING UNITS ARE FED FROM A COMMON BRANCH CIRCUIT. REFER TO PANELBOARD SCHEDULE & 1-LINE DIAGRAM.
 2. DISCONNECT SWITCHES & MOTOR STARTERS LISTED SHALL BE FURNISHED AND INSTALLED BY ELECTRICAL CONTRACTOR UNLESS NOTED OTHERWISE.
 3. PROVIDE ANY 120V WIRING REQUIRED TO INTERLOCK EQUIPMENT WITH HVAC CONTROLS.

PLAN NOTES

1. REPLACE EXISTING EXIT SIGN OR EMERGENCY LIGHT WITH NEW IN SAME LOCATION.
2. REMOVE EXISTING WALL MOUNTED INCANDESCENT FIXTURE & INSTALL NEW FLUORESCENT WALL BRACKET IN SAME LOCATION.
3. REMOVE EXISTING LIGHTS IN THIS AREA. INSTALL NEW IN NEW CEILING GRID AND CONNECT TO EXISTING CIRCUIT & SWITCH(ES).
4. REPLACE EXISTING RECEPTACLES IN THESE LOCATIONS WITH NEW AND PROVIDE ONE DEDICATED 120V, 20A BRANCH CIRCUIT FROM PANEL 'D' TO FEED THEM.
5. REMOVE EXISTING SURFACE MOUNTED FIXTURE & INSTALL NEW FLUORESCENT WRAP AROUND IN SAME LOCATION.
6. REPLACE EXISTING RECEPTACLE WITH NEW IN SAME LOCATION. CONNECT TO EXISTING CIRCUIT. PROVIDE NEW COVERPLATE.
7. REMOVE EXISTING WALL MOUNTED FIXTURE. SECURE WIRING & PROVIDE APPROPRIATE COVERPLATE.
8. PROVIDE NEW SWITCH & LIGHT FIXTURE FOR THIS SPACE. CONNECT TO EXISTING LIGHTING CIRCUIT IN THIS AREA.
9. PROVIDE NEW RECEPTACLE IN THIS LOCATION AND DEDICATED 120V, 20A BRANCH CIRCUIT FROM PANEL 'D'.
10. REMOVE EXISTING RECEPTACLE IN THIS LOCATION. PROVIDE NEW AT COUNTER LOCATION & CONNECT TO EXISTING CIRCUIT.
11. PROVIDE NEW 1000W INCANDESCENT DIMMER FOR CONTROL OF NEW TRACK LIGHTS. PROVIDE ONE DEDICATED 120V, 20A BRANCH CIRCUIT FROM PANEL 'D'.
12. PROVIDE NEW 1000W INCANDESCENT DIMMER FOR CONTROL OF NEW TRACK LIGHT. CONNECT TO EXISTING ROOM LIGHTING CIRCUIT.
13. PROVIDE NEW RECEPTACLE. CONNECT TO EXISTING CIRCUIT SERVING THIS AREA.
14. DISCONNECT POWER TO EXISTING AIR HANDLER IN THIS LOCATION & REMOVE WIRING BACK TO PANEL.

REFER TO ARCHITECTURAL PHASING PLAN AND COORDINATE SCHEDULING OF ALL WORK WITH GENERAL CONTRACTOR & OWNER

Project Title:
 RENOVATIONS TO:
GLENBROOK COMMUNITY CENTER
 35 CRESCENT STREET
 STAMFORD, CONNECTICUT 06906

Revision	Description	Date	Revised By:
AS	BUILT	1/04/2006	

Drawing Title:
THIRD FLOOR ELECTRICAL PLAN

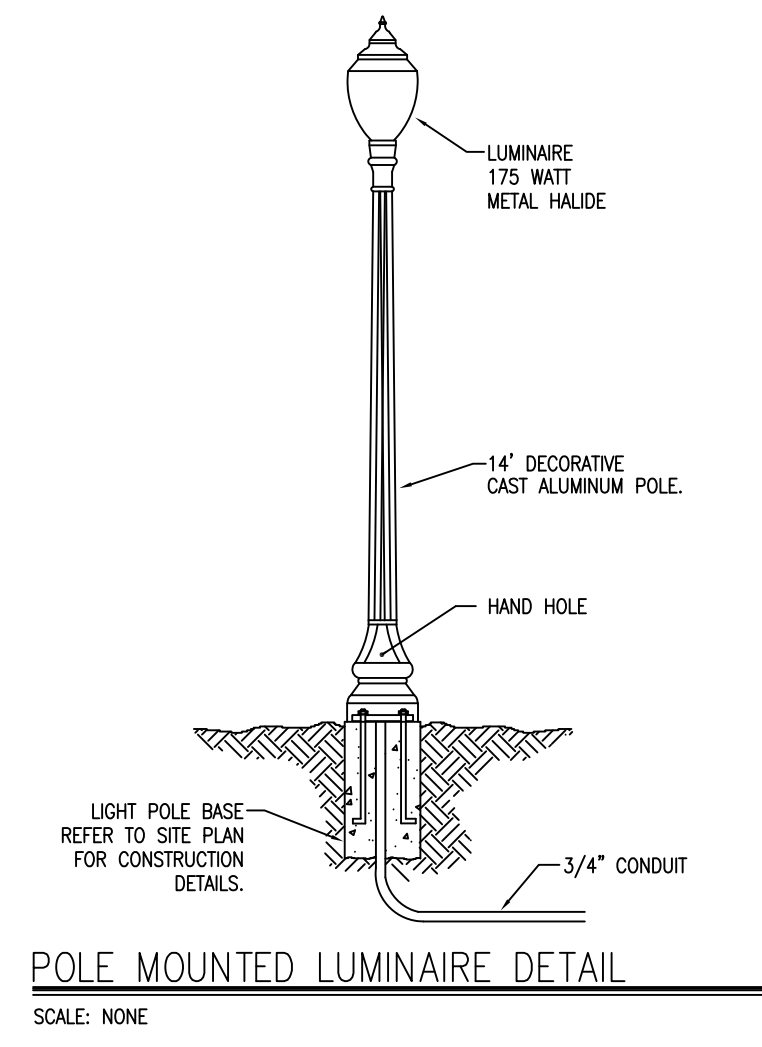
Date:
 MAY 25, 2004

Scale:
 1/4" = 1'-0"

Drawn By:

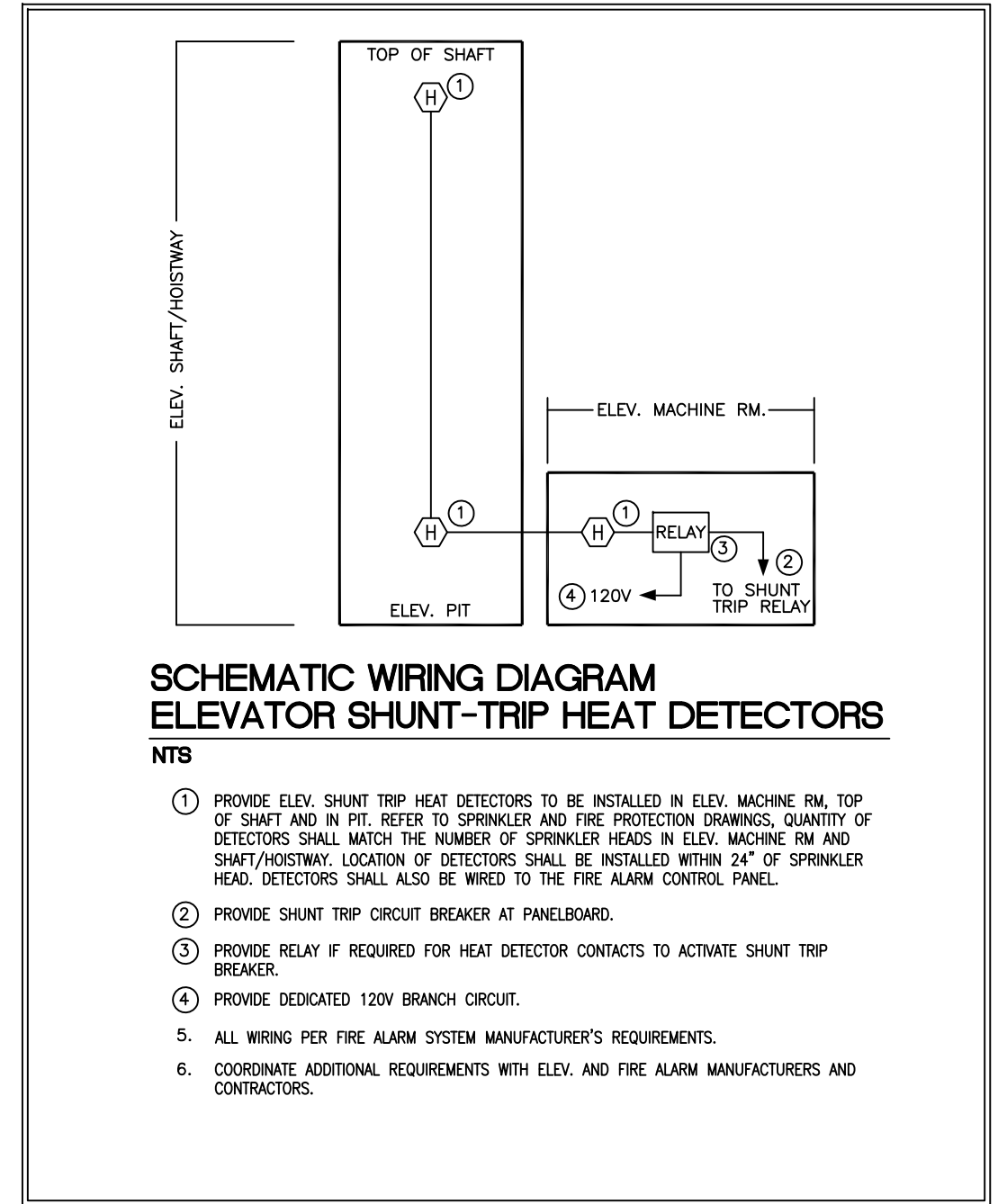
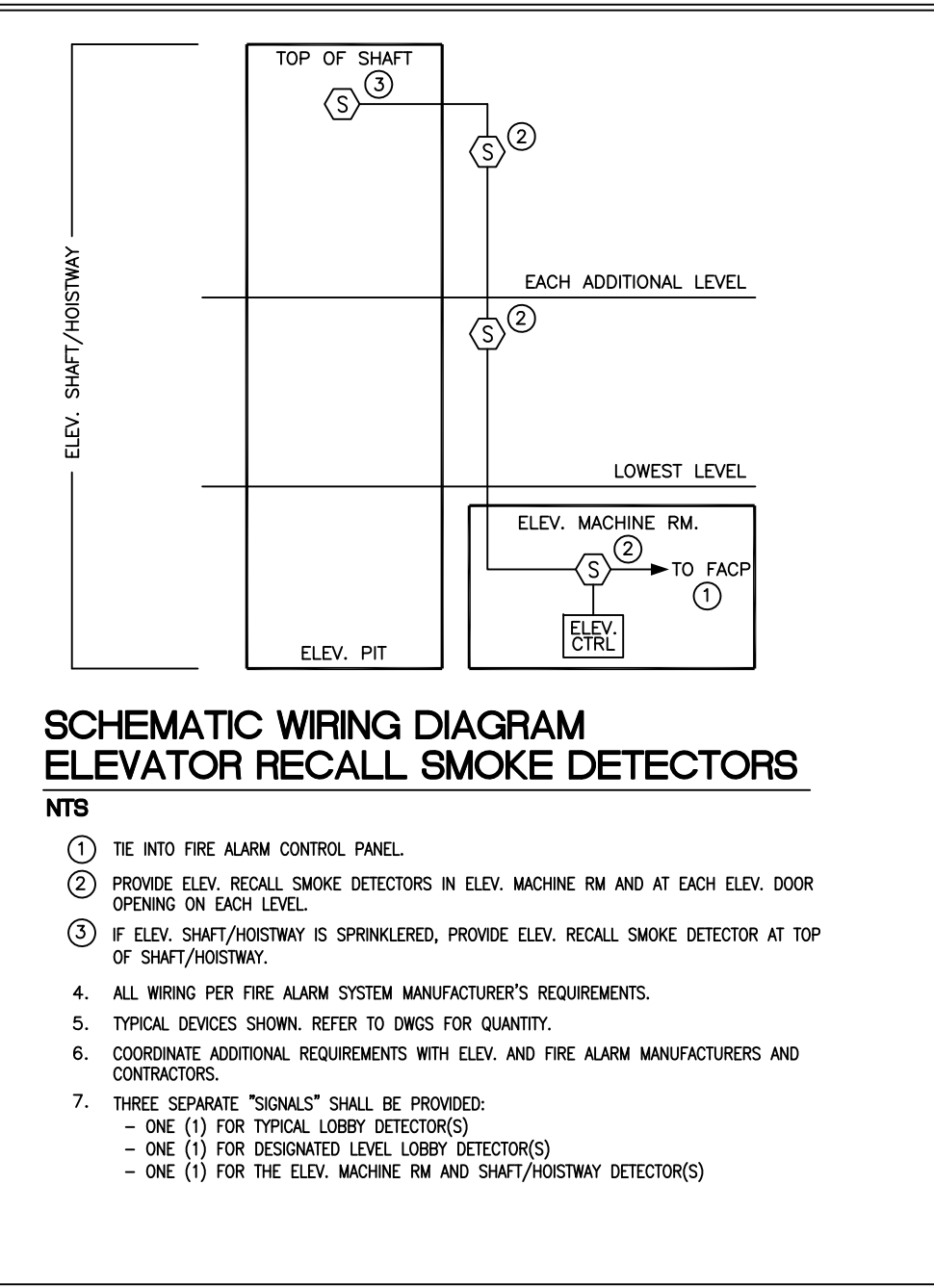
Project Number:

E4



LIGHTING FIXTURE SCHEDULE										
DESIGNATION	DESCRIPTION	MANUFACTURER/ MODEL NUMBER	LAMP			ELECTRICAL			NOTES	
			TYPE	COLOR TEMP	NO	BALLAST	VOLTAGE	WATTS		
A1	ACRYLIC LENS TROFFER 2'x4', RECESSED, GRID, STATIC	COLUMBIA JT824-232G-FS-A12.125-EB8-120	T8,32W, 48" STRAIGHT	4100K	2	ELECTRONIC	120	62	①	
A2	ACRYLIC LENS TROFFER 2'x4', RECESSED, GRID, STATIC	COLUMBIA JT824-332G-FS-A12.125-EB8-120	T8,32W, 48" STRAIGHT	4100K	3	ELECTRONIC	120	89	①	
A3	ACRYLIC LENS TROFFER 2'x2', RECESSED, GRID, STATIC	COLUMBIA JT822-231U1G-FS-A12.125-EB8-120	31W U-SHAPE	4100K	2	ELECTRONIC	120	62	①	
B1	FLUORESCENT WALL BRACKET 4", SPEC GRADE	COLUMBIA WPM4-232-EB8-120	T8,32W, 48" STRAIGHT	4100K	2	ELECTRONIC	120	62		
C1	FLUORESCENT WRAP-AROUND 4", ACRYLIC REFRACTOR	COLUMBIA WC4-232-EB8-120	T8,32W, 48" STRAIGHT	4100K	2	ELECTRONIC	120	62		
D1	FLUORESCENT UTILITY LIGHT 14" ROUND, SURFACE MOUNT	LIGHTOLIER JTB22-231U1G-FS-A12.125-EB8-120	26 WATT DTT	4100K	2	ELECTRONIC	120	60		
D2	FLUORESCENT DOWNLIGHT 7" ROUND, LENSED, RECESSED	PRESCOLITE CFR826UEB-STQ1P-B6	26 WATT DTT	4100K	2	ELECTRONIC	120	60		
E1	EXIT LIGHT - SINGLE FACE SELF-CONTAINED, SURFACE MOUNT	PRESCOLITE NV3RENW	LED	---	1	NO BALLAST	120	3	④ ⑤	
E2	EMERGENCY LIGHTING UNIT SELF-CONTAINED, TWIN HEAD	PRESCOLITE NV2	5.4W INC.	---	2	NO BALLAST	120	20	⑥	
E3	EMERGENCY LIGHTING UNIT SELF-CONTAINED, TWIN HEAD	PRESCOLITE NV5-0612-WGEL	12W INC.	---	2	NO BALLAST	120	20	⑥ ⑦	
E4	EMERGENCY LIGHTING UNIT SELF-CONTAINED, TWIN HEAD	PRESCOLITE NV5	5.4W INC.	---	2	NO BALLAST	120	20	⑥	
E5	EMERGENCY LIGHTING REMOTE EXTERIOR HEAD	PRESCOLITE PEXT-050607	7.2W INC.	---	1	NO BALLAST	120	20	⑨ ⑫	
F1	VANDAL RESISTANT TROFFER 2'x2', RECESSED, GRID, STATIC	COLUMBIA 4V52-340TG-FS-LG250-EBT-120-TP4	40W, TT 2G11 BASE	4100K	3	ELECTRONIC	120	115	③	
G1	DECORATIVE CANOPY FIXTURE, SMALL HOUSING	KENALL MR17CD-P-MB-100M-1-120-QS	100W MH	---	1	HIGH POWER FACTOR	120	130	⑧ ⑩	
G2	EXTERIOR WALL PACK FIXTURE, SMALL HOUSING	LITHONIA TWR1C-100M-120-LPI	100W MH	---	1	NORM POWER FACTOR	120	130	⑨	
G3	EXTERIOR WALL PACK FIXTURE, SMALL HORIZONTAL HOUSING	COOPER HPBC-HE-70-H120-BLK	70W HPS	---	1	HIGH POWER FACTOR	120	88	⑨	
G4	DECORATIVE POLE LIGHT	MOLDCAST PCC-175MH-BLK/DB2-5F14-188	175W MH	---	1	NORM POWER FACTOR	120	215	⑩	
T1	8' TRACK SECTION WITH 4 ROUND/CYLINDER HEADS	PRESCOLITE AKT8-WH / AKTRCP20-WH	75W R-20	---	4	NO BALLAST	120	300	⑬	

- SCHEDULE NOTES:**
- FURNISH W/ PRISMATIC ACRYLIC, 0.125" THICK, #12 PATTERN LENS.
 - OMITTED.
 - FURNISH W/ .25" POLYCARBONATE LENS AND TAMPER RESISTANT SCREWS.
 - FURNISH W/ NICKEL CADMIUM BATTERY FOR 90 MINUTE EMERGENCY LIGHTING OPERATION. FURNISH THREE GYMNASIUM EXIT SIGNS WITH WIRE GUARDS.
 - PROVIDE W/ FEATURES & ACCESSORIES NECESSARY FOR UNIVERSAL (TOP, BACK, & END) MOUNTING AND UNIVERSAL DIRECTIONAL ARROW KNOCKOUTS. ARROWS ON PLANS INDICATE DIRECTION OF CHEVRONS. SHADING INDICATES FIXTURE FACE. CHEVRON & LETTERING SHALL COMPLY W/ NFPA 101.
 - FURNISH W/ SEALED LEAD-CALCIUM OR PURE LEAD BATTERY CAPABLE OF 90 MINUTE OPERATION.
 - FURNISH W/ WIRE GUARD.
 - UL LISTED FOR DAMP LOCATIONS.
 - UL LISTED FOR WET LOCATIONS.
 - FURNISH WITH 14" DECORATIVE CAST POLE & ANCHOR BOLTS. REFER TO DETAIL ON THIS SHEET.
 - FURNISH WITH DC QUARTZ LAMP SOCKET FOR EMERGENCY LIGHTING.
 - CONNECT TO BATTERY IN NEARBY E4 UNIT.
 - FURNISH W/ ALL REQUIRED END FEEDS, CONNECTORS, HANGERS, 90'S & HARDWARE.
 - ELECTRONIC BALLAST SHALL HAVE MAXIMUM TOTAL HARMONIC DISTORTION OF TWENTY PERCENT (20%)
 - FURNISH ALL FIXTURES WITH REQUIRED LAMPS. FLUORESCENT LAMPS SHALL PASS THE FEDERAL TCLP TEST FOR MERCURY TOXICITY AND SHALL BE CLASSIFIED AS NON-HAZARDOUS WASTE. ALL FLUORESCENT LAMPS SHALL BE MINIMUM 80 CRI AND EXP (LONG LIFE) RATED.



REFER TO ARCHITECTURAL PHASING PLAN AND COORDINATE SCHEDULING OF ALL WORK WITH GENERAL CONTRACTOR & OWNER

PANEL "F" (NEW)													
RATINGS: 240V/100 A, 22,000 AIC				LOCATION: SECOND FLOOR									
SERVICE: 208 Y/120V, 3 PHS/4-WIRE				MOUNTING: SURFACE									
DESCRIPTION	NOTE	AMPS	TRIP AMP	POLE	CKT. TYP.	CKT. NO.	A B C	CKT. TYP.	CKT. NO.	POLE	TRIP AMP	AMPS	DESCRIPTION
AHU-1 (1.5 HP)		11.0	20	2	B	1	+	2	B	2	20	7.6	AHU-2 (3/4 HP)
AHU-3 (3/4 HP)		7.6	20	2	B	5	+	6	B	2	20	11.0	AHU-6 (1.5 HP)
EF-4 (1/4 HP)		5.8	20	1	A	9	+	10					
EF-3 (1/2 HP)		10.8	20	1	A	11	+	12					
						13	+	14					
						15	+	16					
						17	+	18					

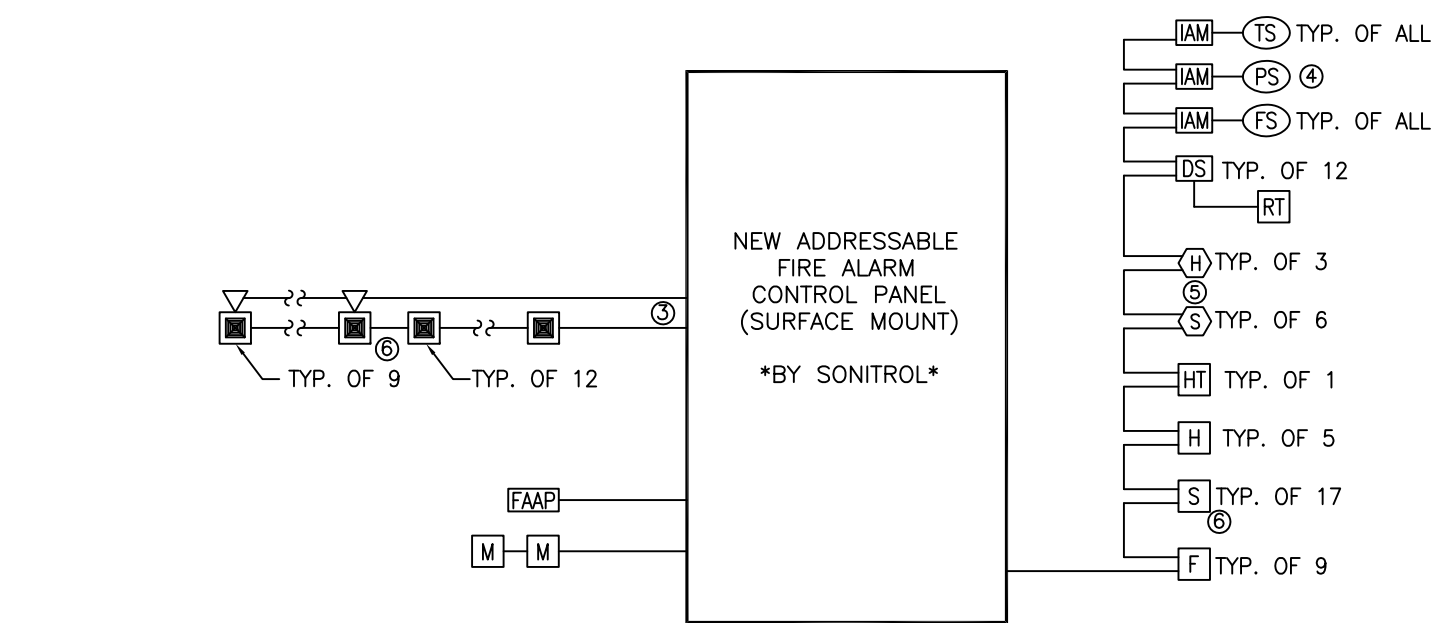
NOTES:

- PANELBOARD SHALL BE CUTLER-HAMMER POW-R-LINE 1 OR EQUAL WITH MAIN LUGS.
- PROVIDE CB LOCK.
- PROVIDE HACR BREAKER.
- UPGRADE WIRE SIZE AS REQUIRED TO MAINTAIN 3% MAXIMUM VOLTAGE DROP.
- TOTAL CONNECTED LOAD: PHASE A - 37.2, PHASE B - 24.4, PHASE C - 29.4. 10.9 KVA BASED ON 30.3 AMPS/PHASE.
- CIRCUIT TYPE A: 120V, 3 WIRE IN CONDUIT OR MC CABLE.
- CIRCUIT TYPE B: 208V, 1Ø, 4 WIRE IN CONDUIT OR MC CABLE.
- CIRCUIT TYPE C: 208V, 3Ø, 5 WIRE IN CONDUIT OR MC CABLE.

PANEL "A1" (EXISTING)													
RATINGS: 240V/200 A, 22,000 AIC				LOCATION: BASEMENT									
SERVICE: 208 Y/120V, 3 PHS/4-WIRE				MOUNTING: SURFACE									
DESCRIPTION	NOTE	AMPS	TRIP AMP	POLE	CKT. TYP.	CKT. NO.	A B C	CKT. TYP.	CKT. NO.	POLE	TRIP AMP	AMPS	DESCRIPTION
CU-6&7	③	50.0	80	3	C	1	+	2	C	3	100	75.0	CU-2,3,5&8
CU-1,4&9	③	48.0	100	3	C	7	+	8	C	3	60	30.0	NEW PANEL "F"
SPARE		20	20	1	A	13	+	14	B	2	20	5.4	AHU-4 (1/2 HP)
EXTERIOR LIGHTS		13.0	20	1	A	15	+	16	B	2	20	5.4	AHU-5 (1/2 HP)
EF-2 (1/4 HP)		5.8	20	1	A	17	+	18	B	2	20	5.4	
						19	+	20					
						21	+	22					
						23	+	24					
						25	+	26					
						27	+	28					
						29	+	30					

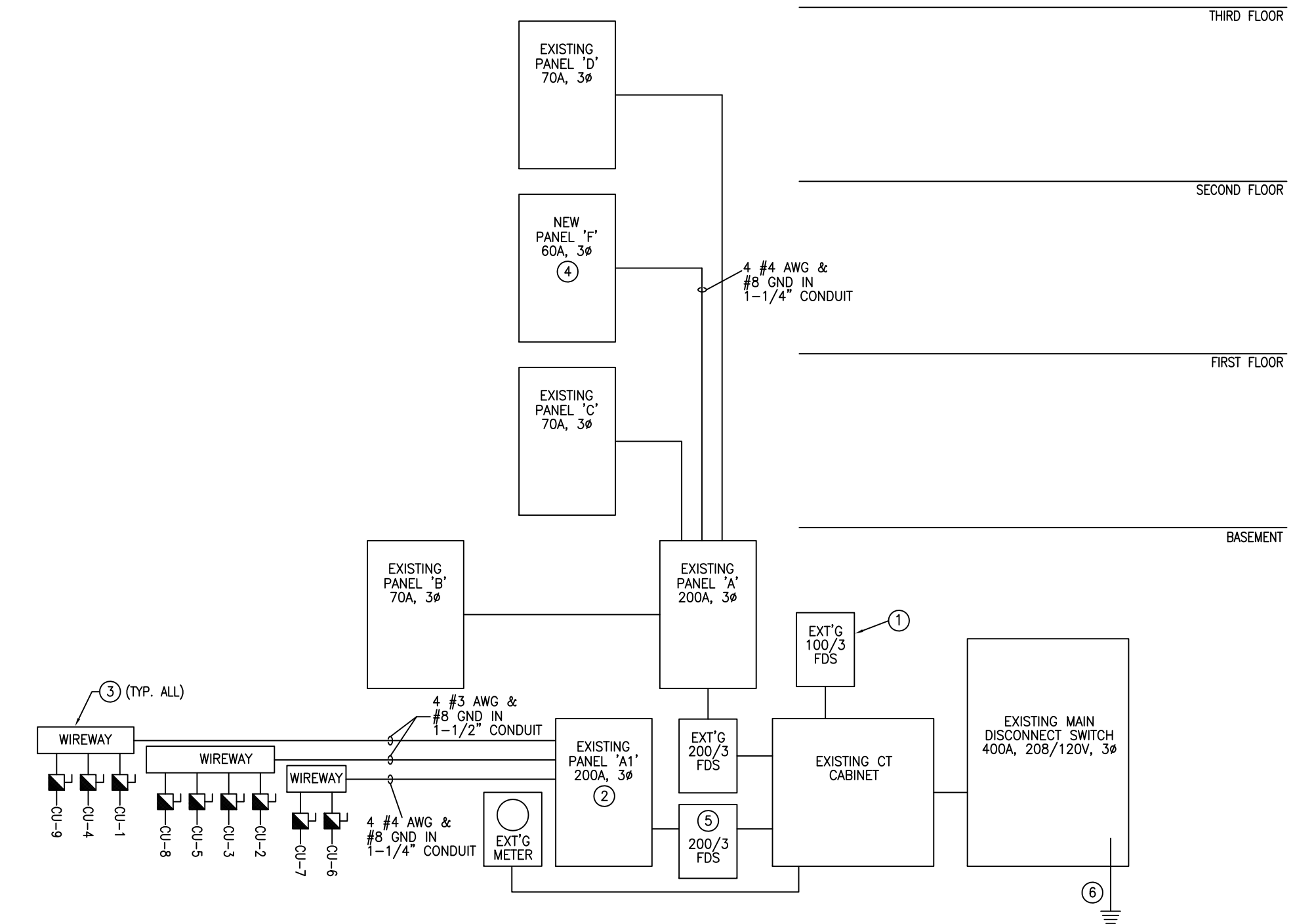
NOTES:

- PANELBOARD SHALL BE CUTLER-HAMMER POW-R-LINE 1 OR EQUAL WITH MAIN LUGS.
- PROVIDE CB LOCK.
- PROVIDE HACR BREAKER.
- UPGRADE WIRE SIZE AS REQUIRED TO MAINTAIN 3% MAXIMUM VOLTAGE DROP.
- TOTAL CONNECTED LOAD: PHASE A - 213.8, PHASE B - 208.4, PHASE C - 207.2. 75.5 KVA BASED ON 209.8 AMPS/PHASE.
- CIRCUIT TYPE A: 120V, 3 WIRE IN CONDUIT OR MC CABLE.
- CIRCUIT TYPE B: 208V, 1Ø, 4 WIRE IN CONDUIT OR MC CABLE.
- CIRCUIT TYPE C: 208V, 3Ø, 5 WIRE IN CONDUIT OR MC CABLE.



FIRE ALARM LEGEND	
[FACP]	ADDRESSABLE FIRE ALARM CONTROL PANEL
[FAPB]	LED ANNUNCIATOR PANEL WITH SILENCE SWITCH
[M]	MAGNETIC DOOR HOLDER
[H]	ADA WALL MOUNT HORN/STROBE
[S]	ADA WALL MOUNT STROBE
[F]	ADDRESSABLE MANUAL FIRE ALARM PULL STATION - DOUBLE ACTION
[S]	ADDRESSABLE PHOTOELECTRIC AREA SMOKE DETECTOR
[H]	135°F FIXED TEMPERATURE ADDRESSABLE HEAT DETECTOR
[S]	ADDRESSABLE PHOTOELECTRIC SMOKE DETECTOR W/ CONTACT FOR CONNECTION TO ELEVATOR SHUNT-TRIP BREAKER
[H]	135°F FIXED TEMPERATURE ADDRESSABLE HEAT DETECTOR W/ CONTACT FOR CONNECTION TO ELEVATOR SHUNT-TRIP BREAKER
[DS]	ADDRESSABLE DUCT SMOKE DETECTOR W/ SAMPLING TUBE AND REMOTE TEST SWITCH. COORDINATE INSTALLATION W/ MECHANICAL CONTRACTOR.
[FAM-15]	ADDRESSABLE MODULE FOR MONITORING OF FLOW/PRESSURE/TAMPER SWITCH. SWITCHES ARE BY SPRINKLER CONTRACTOR. CONFIRM QUANTITY IN FIELD.

- FIRE ALARM RISER DIAGRAM**
- NTS**
- ALL WIRING TO BE PER SPECIFICATIONS AND MANUFACTURER'S REQUIREMENTS.
 - OMITTED.
 - PROVIDE WIRING AS REQUIRED TO ALLOW FOR SILENCING OF HORNS WITH STROBES STILL ACTIVE. ALL STROBES SHALL BE SYNCHRONIZED.
 - PROVIDE APPROPRIATE MODULES FOR MONITORING OF NEW FLOW & TAMPER SWITCHES. ALL TAMPER SWITCHES IN ONE AREA MAY BE MONITORED BY ONE MODULE. EACH FLOW SWITCH SHALL HAVE ITS OWN MODULE.
 - REFER TO ELEVATOR RECALL & SHUNT TRIP SCHEMATICS ON THIS DRAWING FOR ADDITIONAL DETAILS.
 - FURNISH 1 HORN/STROBE, 1 STROBE, AND 4 SMOKE DETECTORS IN GYMNASIUM WITH WIRE GUARDS.
 - REFER TO ELECTRICAL PLANS TO CONFIRM DEVICE QUANTITIES.
 - FURNISH DEVICES WITH ALL NECESSARY MATERIALS AND ACCESSORIES FOR COMPLETE INSTALLATION TO BE FULLY OPERATIONAL.
 - CONTRACTOR SHALL COORDINATE LOCATION OF ALL DUCT SMOKE DETECTORS WITH MECHANICAL CONTRACTOR. ALL DEVICES SHALL BE WIRED TO THE FIRE ALARM SYSTEM.
 - GEN. ALL FIRE ALARM WORK SHALL BE PERFORMED BY SONITROL. CONTRACTOR SHALL CONTACT ** AT ** TO OBTAIN PRICE FOR THIS WORK & CARRY THIS COST IN HIS BID.



- ELECTRICAL DISTRIBUTION 1-LINE DIAGRAM**
- SCALE: NONE
- 1-LINE NOTES:**
- DISCONNECT POWER TO SHOW MELTING SYSTEM & LABEL AS INACTIVE.
 - REFER TO PANELBOARD SCHEDULE ON THIS SHEET FOR NEW BREAKER REQUIREMENTS.
 - PROVIDE NEMA 3R WIREWAY AS REQUIRED FOR TAPS TO CONDENSING UNIT FEEDS.
 - FURNISH & INSTALL NEW PANELBOARD. REFER TO PANELBOARD SCHEDULE ON THIS SHEET FOR DETAILS.
 - PROVIDE NEW 200A, 3-POLE, NEMA 1 FUSED DISCONNECT FOR PROPER PROTECTION OF EXISTING PANEL A1.
 - PROVIDE NEW GROUND CONNECTION TO WATER SERVICE ENTRANCE.
 - DASHED LINES REPRESENT EXISTING CONDUIT & WIRE TO REMAIN.
- LOAD CALCULATION:**
- PEAK DEMAND IN THE PAST YEAR WAS 48.60VA. THIS CORRESPONDS TO 130 AMPS. THE ADDED LOAD NEW EQUIPMENT IS 150 AMPS. PER NEC 220-35; 130A X 1.25 + NEW LOAD (163A+150A) = 313 WHICH IS LESS THAN THE 400A SERVICE RATING.

RENOVATIONS TO:
GLENBROOK COMMUNITY CENTER
 35 CRESCENT STREET
 STAMFORD, CONNECTICUT 06906

Revision:	Description:	Date:	Revised By:
AS BUILT		1/04/2006	

ELECTRICAL SCHEDULES AND DETAILS

Date: MAY 25, 2004
 Scale: NONE
 Drawn By:
 Project Number:
E5