

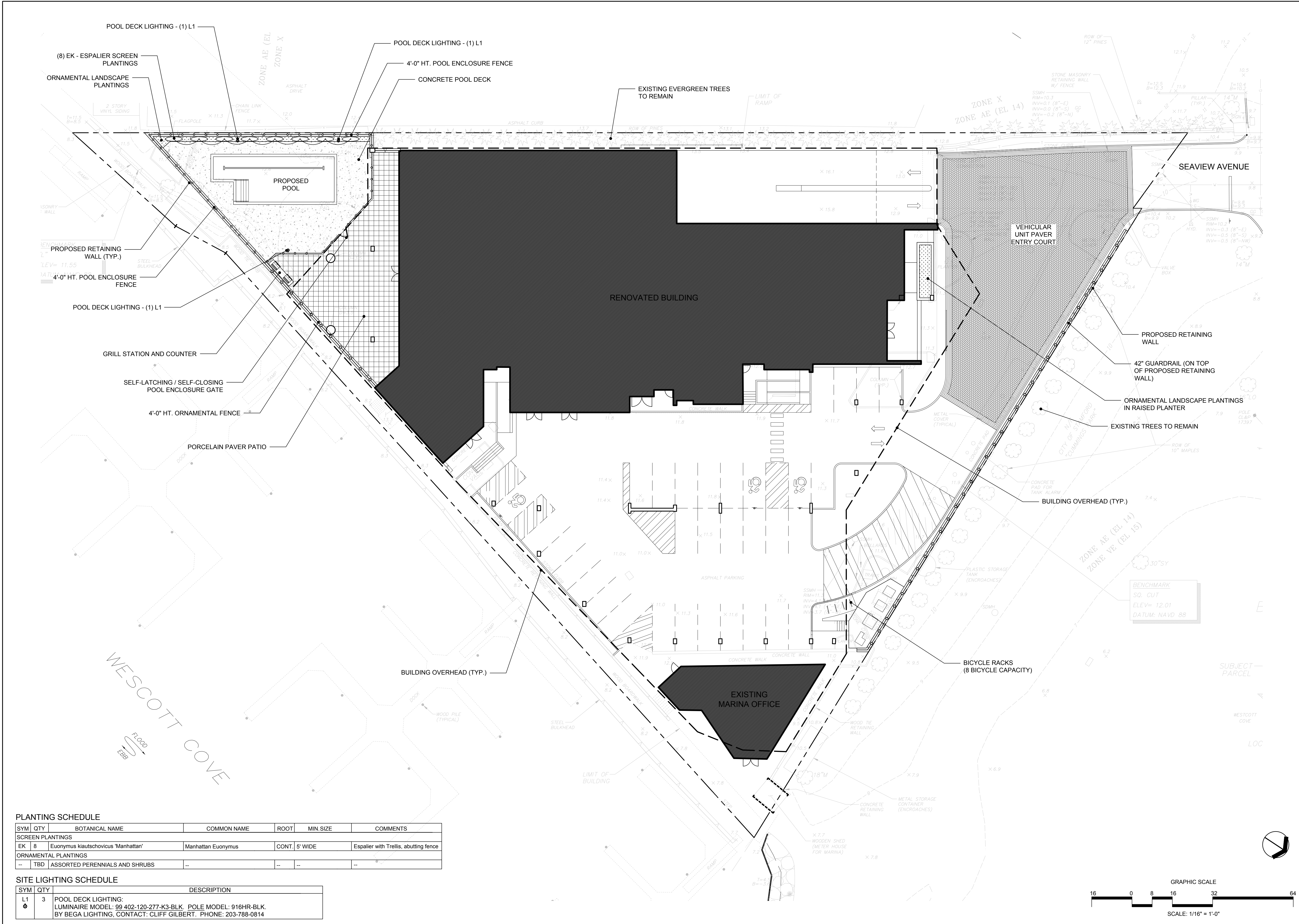
NO.	ISSUE	DATE
7		
6		
5		
4		
3		
2		
1	ZONING SUBMISSION	2022.05.20



**DELAMAR RESIDENCES**  
68-70 SEAVIEW AVENUE  
STAMFORD, CT

PROJECT TITLE: **LANDSCAPE SITE PLAN**  
JOB NO.:  
DATE: 2022.05.20  
SCALE: 1/16"=1'-0"

**SPL-1.0**



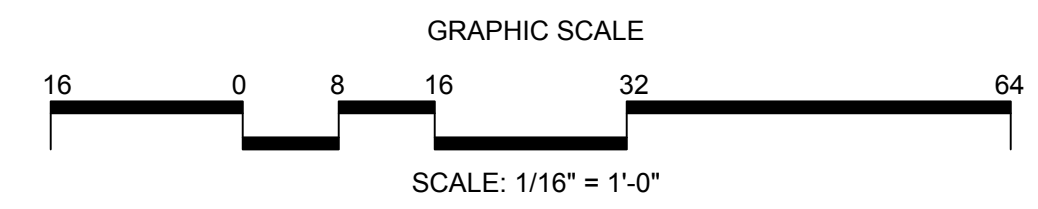
**PLANTING SCHEDULE**

SYM	QTY	BOTANICAL NAME	COMMON NAME	ROOT	MIN. SIZE	COMMENTS
<b>SCREEN PLANTINGS</b>						
EK	8	Euonymus kiautschovicus 'Manhattan'	Manhattan Euonymus	CONT.	5' WIDE	Espalier with Trellis, abutting fence
<b>ORNAMENTAL PLANTINGS</b>						
--	TBD	ASSORTED PERENNIALS AND SHRUBS	--	--	--	--

**SITE LIGHTING SCHEDULE**

SYM	QTY	DESCRIPTION
L1	3	POOL DECK LIGHTING: LUMINAIRE MODEL: 99 402-120-277-K3-BLK. POLE MODEL: 916HR-BLK. BY BEGA LIGHTING, CONTACT: CLIFF GILBERT. PHONE: 203-788-0814

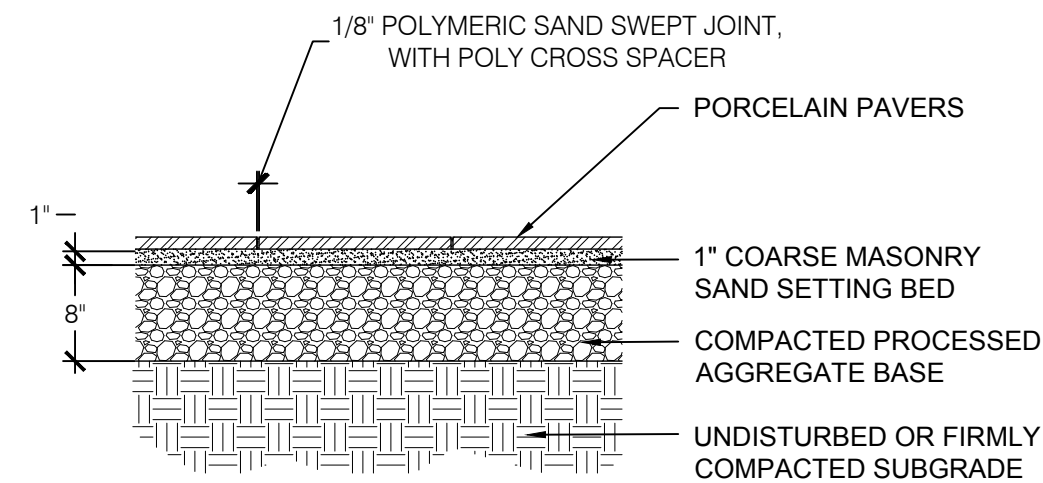


**PLANTING SCHEDULE**

SYM	QTY	BOTANICAL NAME	COMMON NAME	ROOT	MIN. SIZE	COMMENTS
<b>SCREEN PLANTINGS</b>						
EK	8	Euonymus kiautschovicus 'Manhattan'	Manhattan Euonymus	CONT.	5' WIDE	Espalier with Trellis, abutting fence
<b>ORNAMENTAL PLANTINGS</b>						
--	TBD	ASSORTED PERENNIALS AND SHRUBS	--	--	--	--

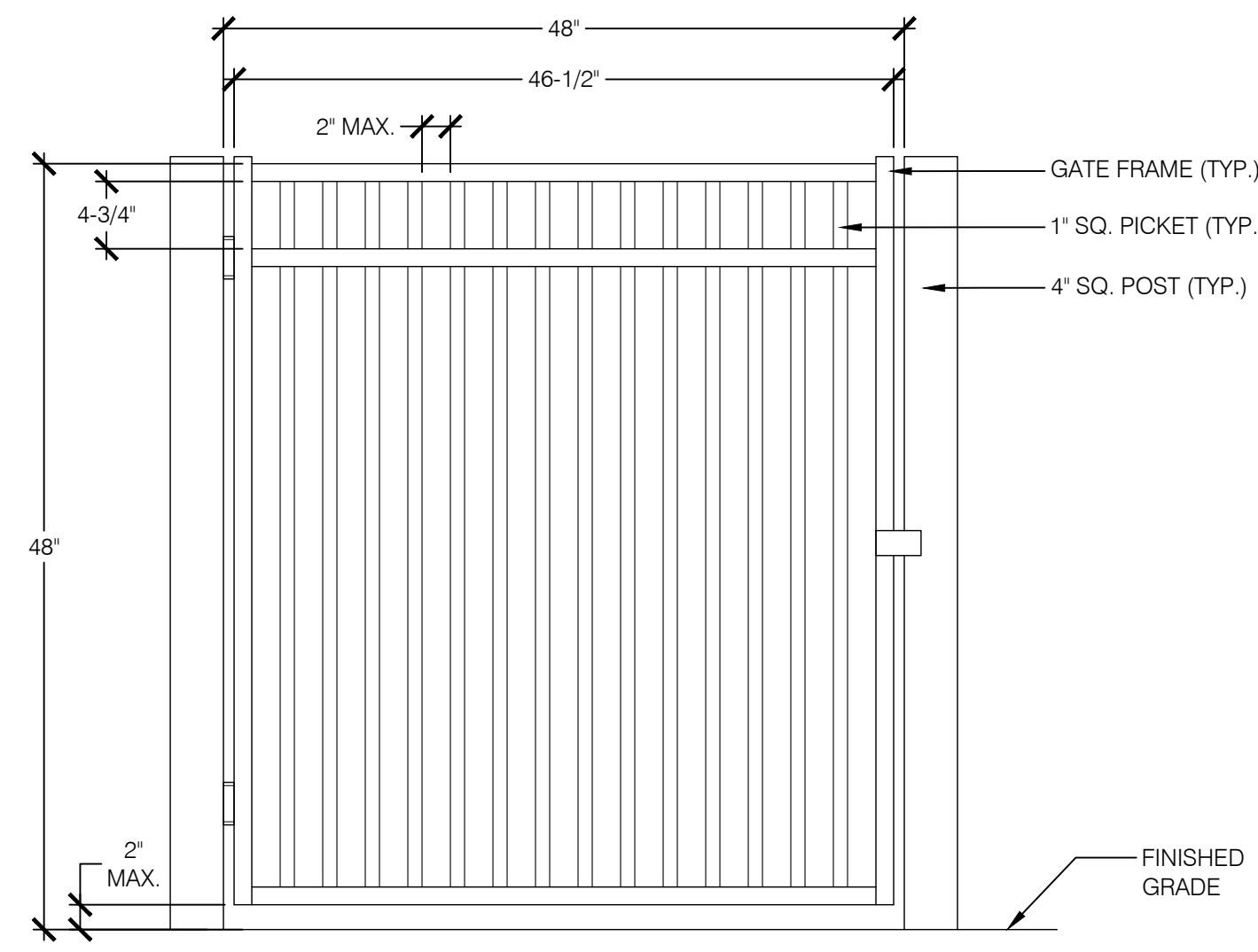
**SITE LIGHTING SCHEDULE**

SYM	QTY	DESCRIPTION
L1	3	POOL DECK LIGHTING: LUMINAIRE MODEL: 99-402-120-277-K3-BLK. POLE MODEL: 916HR-BLK. BY BEGA LIGHTING, CONTACT: CLIFF GILBERT. PHONE: 203-788-0814



1 PORCELAIN PAVERS

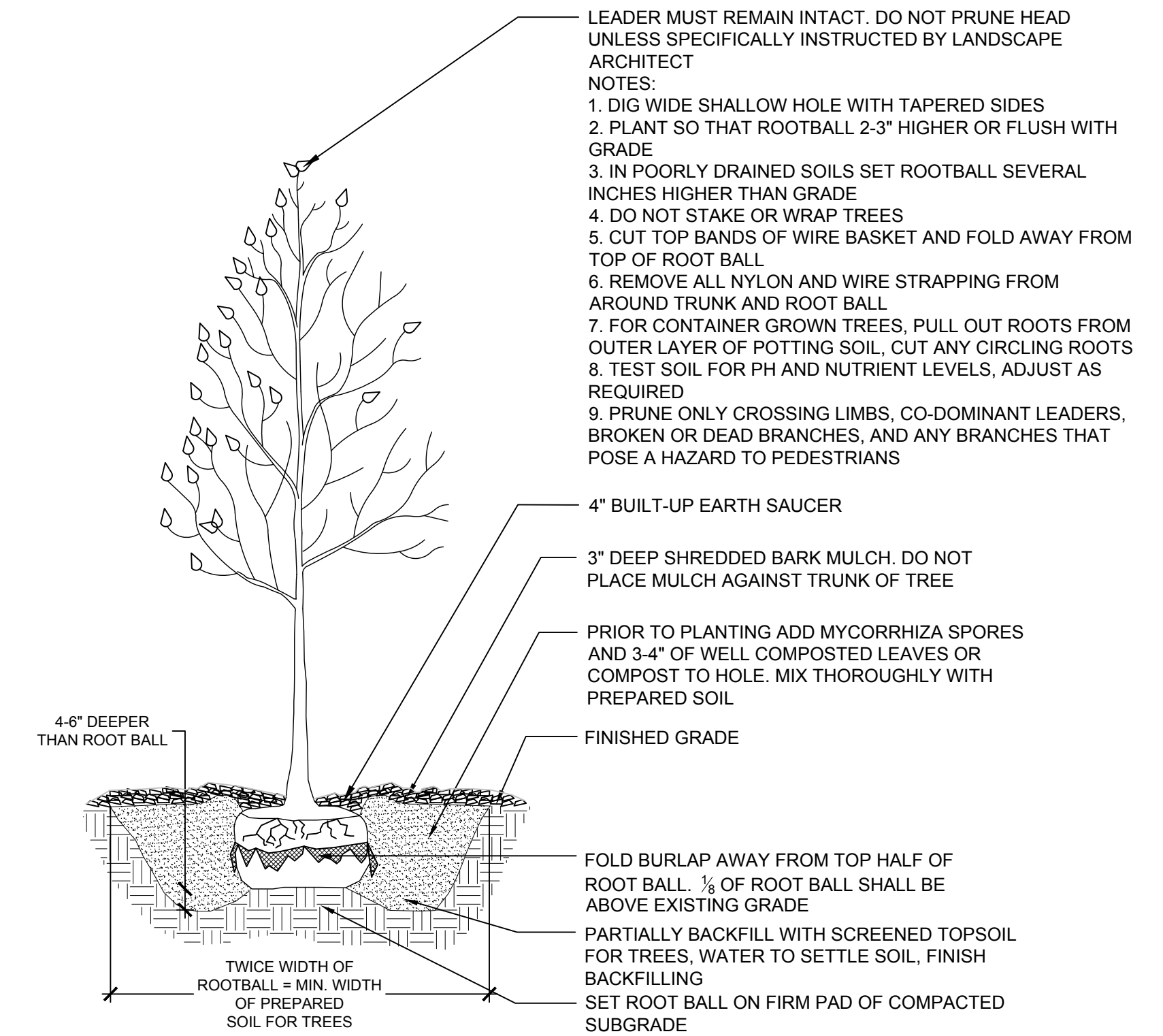
SCALE: NTS



NOTES:  
1. GATE SHALL BE SELF-LATCHING AND HAVE SPRING LOADED SELF-CLOSING HINGES.

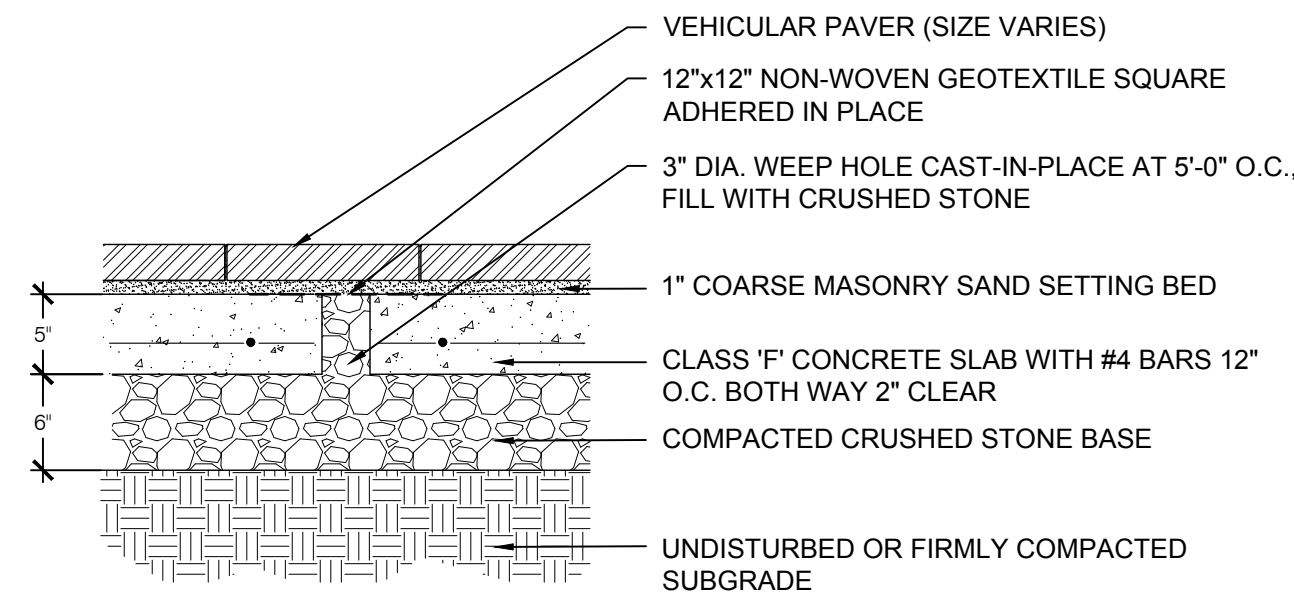
4 POOL ENCLOSURE GATE

SCALE: NTS



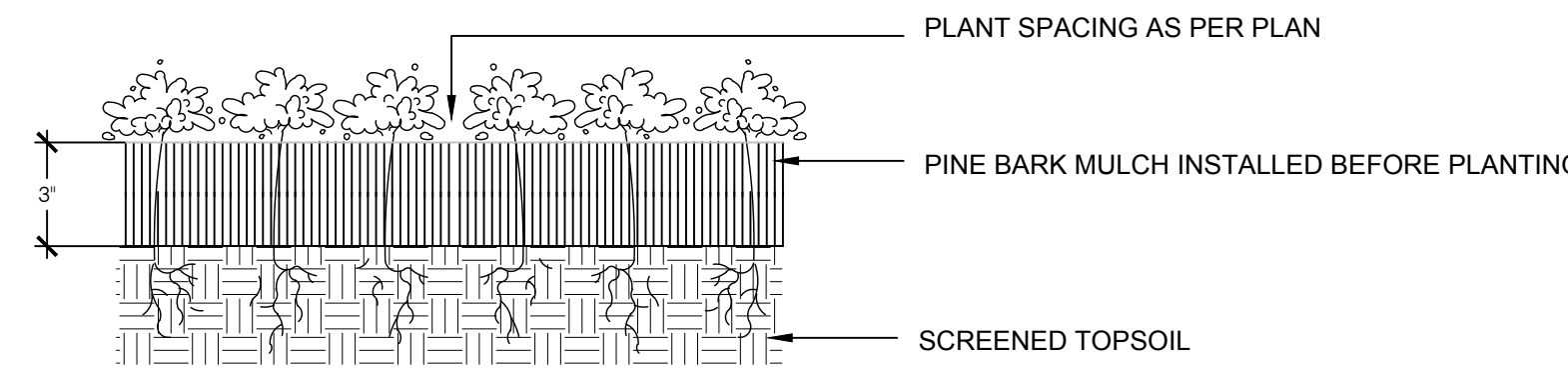
7 TREE PLANTING

SCALE: NTS



2 VEHICULAR PAVERS

SCALE: NTS



5 GROUNDCOVER PLANTING

SCALE: NTS

LED pole top luminaires with asymmetrical flat beam light distribution

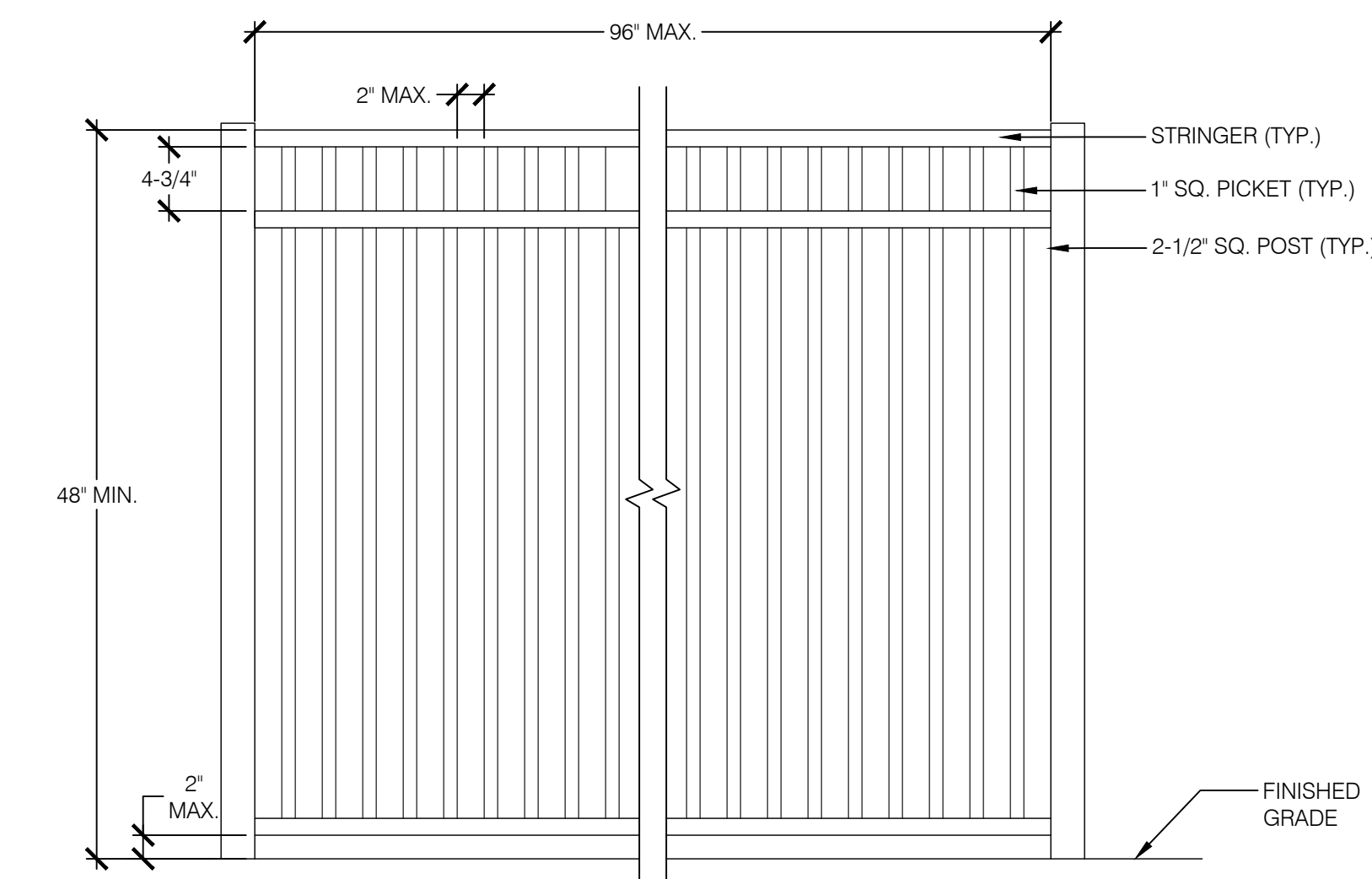
**Housing:** Die-cast aluminum housing and slip fitter. Slip fits 3" O.D. pole top, secures to pole with three stainless steel set screws. Die castings are marine grade, copper free (0.3% copper content) A360.0 aluminum alloy.  
**Enclosure:** Faceplate is constructed of die-cast aluminum and is secured to housing with mechanically captive stainless steel fasteners. Tempered clear glass. Reflector of pure anodized aluminum. Fully shielded to comply with LEED zones 1 and higher. Fully gasketed for weather tight operation using molded silicone rubber "U-channel" gasket.  
**Electrical:** 16W LED luminaires, 19 total system watts, -30°C start temperature. Integral 120V through 277V electronic LED driver, 0-10V, TRIAC and ELV dimmable. LED module(s) are available from factory for easy replacement. Standard LED color temperature is 4000K with an 85 CRI. Available in 3000K (85 CRI); add suffix K3 to order.  
**Note:** LEDs supplied with luminaire. Due to the dynamic nature of LED technology, LED luminaire data on this sheet is subject to change at the discretion of BEGA-US. For the most current technical data, please refer to www.bega-us.com.  
**Finish:** All BEGA standard finishes are polyester powder coat with minimum 3 mil thickness. Available in four standard BEGA colors: Black (BLK), White (WHT), Bronze (BRZ), Silver (SLV). To specify, add appropriate suffix to catalog number. Custom colors supplied on special order.  
**CSA:** certified to U.S. and Canadian standards, suitable for wet locations. Protection class IP65  
**Weight:** 8.6 lbs.  
**EPA (Effective projection area):** 0.32 sq. ft.  
**Luminaire Lumens:** 1855

Type:  
BEGA Product:  
Project:  
Voltage:  
Color:  
Options:  
Modified:



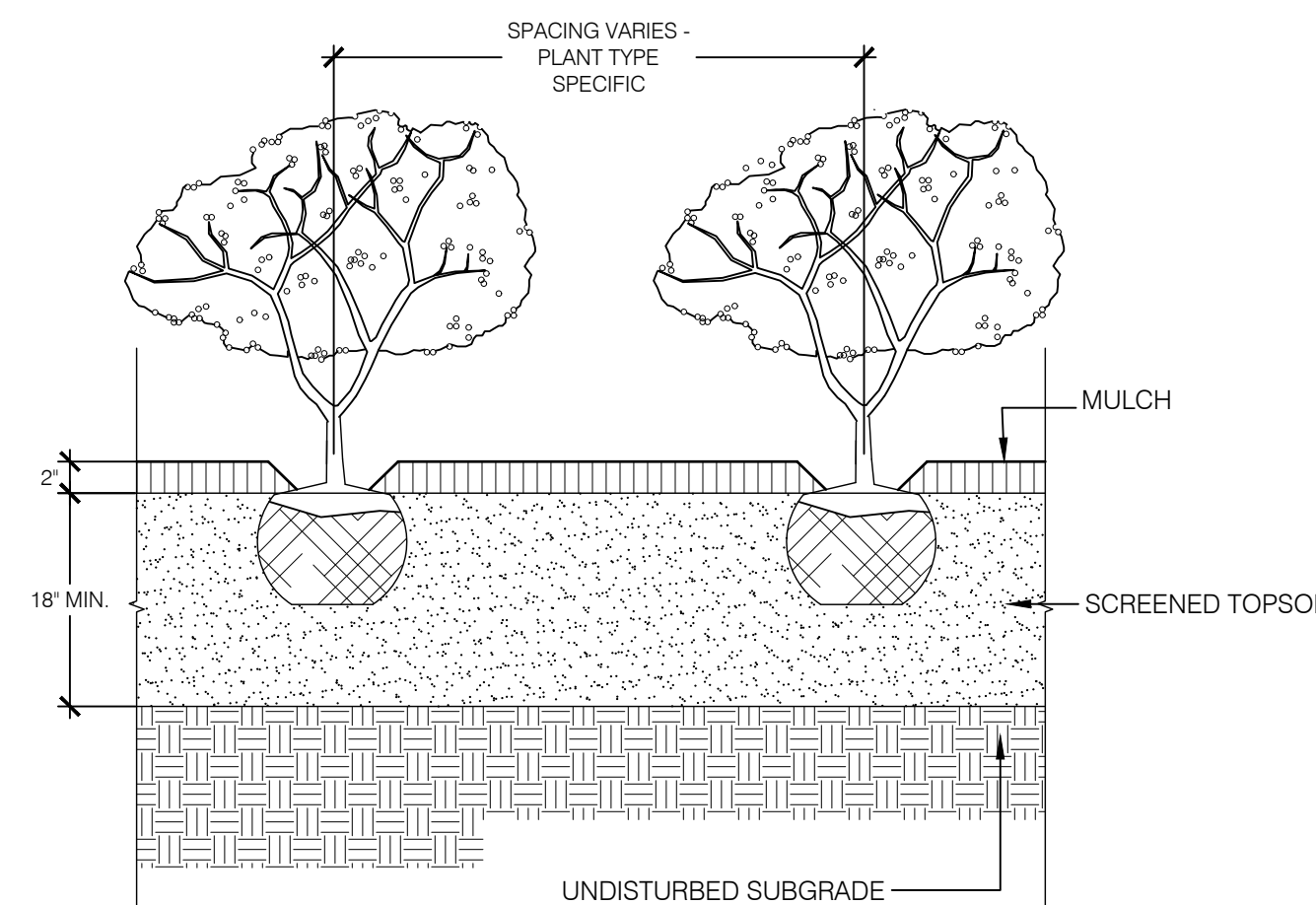
Single LED Poletop	Lumens	A	B	C
99-402	16W LED	11 1/2"	3 1/2"	16"

Recommended for use with 20' to 30' poles.  
BEGA 1000 BEGA Way, Carpinteria, CA 93013 (805) 684-0533 FAX (805) 566-9474 www.bega-us.com  
©copyright BEGA 2019 Updated 03/2019



3 POOL ENCLOSURE FENCE

SCALE: NTS



NOTE: PLANTS ARE TO BE SPACED AS REQUIRED BY PLANTING SCHEDULE

6 SHRUB PLANTING

SCALE: NTS

8 POOL DECK LIGHTING

SCALE: NTS

NO.	ISSUE	DATE
7		
6		
5		
4		
3		
2		
1	ZONING SUBMISSION	2022.05.20



DELAMAR RESIDENCES  
68-70 SEAVIEW AVENUE  
STAMFORD, CT

PROJECT TITLE	LANDSCAPE SCHEDULES AND DETAILS
JOB NO.	
DATE	2022.05.20
SCALE	AS NOTED